

### 3 POL. MM

OBUDOWA MESKA 3 POLOWA  
WIDOK OD STRONY DRUTOW  
MALE INSERT 3P  
VIEW FROM WIRES SIDE

Pin	Kolor przew.	Wire color
1	Brazowy	BN
2	-	-
3	Niebieski	BU
4	Czarny	BK

### 4 POL. MM

OBUDOWA MESKA 4 POLOWA  
WIDOK OD STRONY DRUTOW  
MALE INSERT 4P  
VIEW FROM WIRES SIDE

Pin	Kolor przew.	Wire color
1	Brazowy	BN
2	Bialy	WH
3	Niebieski	BU
4	Czarny	BK

### 5 POL. MM

OBUDOWA MESKA 5 POLOWA  
WIDOK OD STRONY DRUTOW  
MALE INSERT 5P  
VIEW FROM WIRES SIDE

Pin	Kolor przew.	Wire color
1	Brazowy	BN
2	Bialy	WH
3	Niebieski	BU
4	Czarny	BK
5	Szary	GY

### 8 POL. MM

OBUDOWA MESKA 8 POLOWA  
WIDOK OD STRONY DRUTOW  
MALE INSERT 8P  
VIEW FROM WIRES SIDE

Pin	Kolor przew.	Wire color
1	Bialy	WH
2	Brazowy	BN
3	Zielony	GN
4	Zolty	YE
5	Szary	GY
6	Rozowy	PK
7	Niebieski	BU
8	Czerwony	RD

TABELA 1  
CHART 1

STARY P/N	MOLEX P/N	WOODHEAD NO	L[MM]	POLE
	1200110257	8R5M26E03C3003	300	5 POLE
	1200110281	8R5M28E03C1503	150	5 POLE
	1200110267	8R4M26E03C1505	150	4 POLE
	1200110652	8R5M26E03C5003	500	5 POLE
1200110727	1200700166	8R4M26E03C3001	300	4 POLE
1200110728	1200700167	8R4M26E03C3003	300	4 POLE
	1200708018	8R4M26E03C300	300	4 POLE
	1200708034	8R5M26E03C150	150	5 POLE
	1200708035	8R5M26E03C300	300	5 POLE
	1200708084	8R4M26E03C5003	500	4 POLE
	1200708085	8R8M26E03C5003	500	8 POLE
	1200708088	8R4M26E03C3005	300	4 POLE
	1200708094	8R4M26E03M0103	1000	4 POLE
	1200700279	8R8M26E02C3005	300	8 POLE

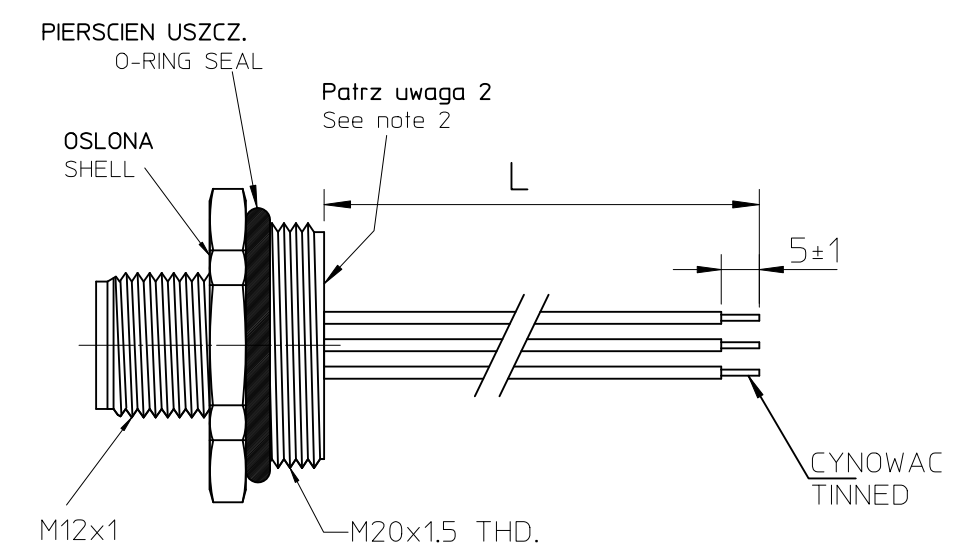
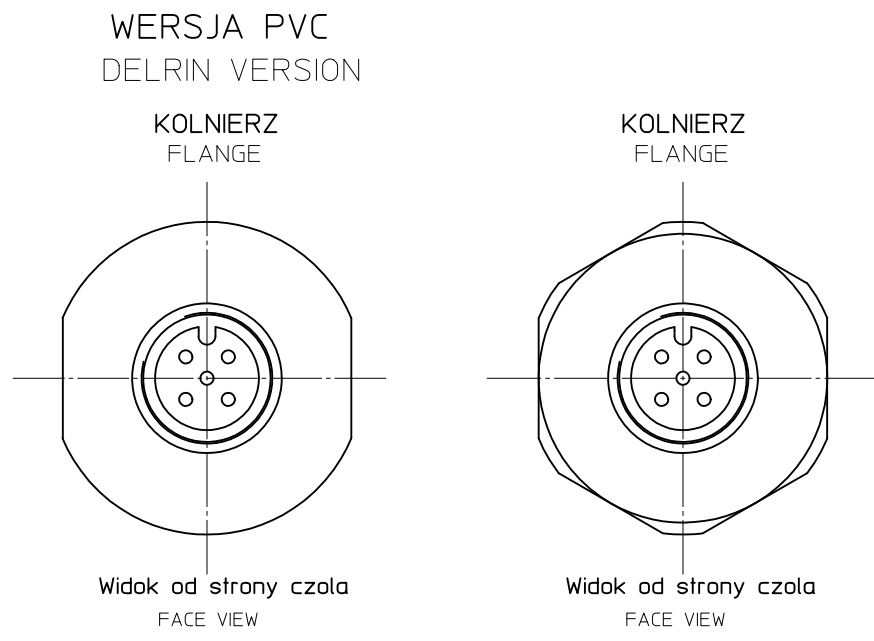
PART No MATRIX

8 R \* M 2 6 E 0 3 \* \* \* \*

8-Micro Change  
R-Receptacle  
\* 3=3 Core  
4=4 Core  
5=5 Core  
8=8 Core  
M-Male thread M12  
Panel mount shell M20 Thd.  
E03=0.34mm PVC  
C= CENTIMETRES  
M= METRES  
LENGTH  
300=30cm (300mm)  
500=50cm (500mm)  
030=300cm (3000mm)  
Shell Material  
1=Stainless Steel  
3=Brass Nickel Plated (Standard)  
5=Plastic (Delrin)

Table of length tolerances/ Tablica tolerancji dlugosci mm

Over/Od	Up to and including/ Do-wlacznie	Tolerance/Tolerancja +
0	305	+19
305	915	+45
915	1830	+56
1830	3660	+89
3660	7320	+165
7320	14640	+317
14640	30500	+610
30500		+2% of length/dlugosci



UWAGI:

1 DLUGOSCI CIECIA PRZEWODOW I SPECYFIKACJE NABIJANIA W LISCIE CIECIA.  
2. PO OSADZENIU TERMINALI ZALAC KLEJEM.

NOTES:

1. CUTTING LENGTH AND CRIMPING SPECIFICATION IN CUTTING LIST.  
2. AFTER ASSEMBLING TERMINALS FILL WITH GLUE.

DRAWING UPDATE EC NO: WEU2011-0328 DRWN:HWALCZAK 2010/12/14 CHKD: APPR:GOGRODNIK 2012/01/12	QUALITY SYMBOLS ▽=0 ▽=0	GENERAL TOLERANCES (UNLESS SPECIFIED)		DIMENSION STYLE MM ONLY		SCALE ---	DESIGN UNITS METRIC	FIRST ANGLE PROJECTION	
		4 PLACES	± ---	± ---	DRAWN BY DWARWAS	DATE 2008/05/14	TITLE MMC-XP-MM REC-M20-XXM-PVC		
		3 PLACES	± ---	± ---	CHECKED BY DATE		MOLEX INCORPORATED		
		2 PLACES	± ---	± ---	APPROVED BY DATE		MATERIAL NO. SEE CHART 1	DOCUMENT NO. E-120070-216	SHEET NO. 1 OF 1
DRAFT WHERE APPLICABLE MUST REMAIN WITHIN DIMENSIONS		ANGULAR ± ---°		THIS DRAWING CONTAINS INFORMATION THAT IS PROPRIETARY TO MOLEX INCORPORATED AND SHOULD NOT BE USED WITHOUT WRITTEN PERMISSION					

## X-ON Electronics

Largest Supplier of Electrical and Electronic Components

*Click to view similar products for [brad](#) manufacturer:*

Other Similar products are found below :

[1302011227](#) [1300700019](#) [1300640196](#) [1300390284](#) [1300250287](#) [1200660687](#) [120027-0153](#) [1200661044](#) [1200661039](#) [404006A10M040](#)  
[120084-0016](#) [1300061349](#) [805000A09M050](#) [1300170023](#) [120065-0951](#) [1200670231](#) [1300130315](#) [1200860107](#) [1200651555](#) [1200660279](#)  
[1300250067](#) [1200660695](#) [1300100865](#) [1200660697](#) [1300100493](#) [1300100496](#) [1300100497](#) [1300100498](#) [1300100499](#) [1300100884](#)  
[1300100886](#) [1300640206](#) [1200651642](#) [120248-0500](#) [112095-5119](#) [121064-0568](#) [120068-8009](#) [120086-8657](#) [1300061438](#) [1300100869](#)  
[1200860122](#) [1200700207](#) [1200720171](#) [1300270017](#) [1300100488](#) [1300100868](#) [1300100494](#) [1200651124](#) [1200660376](#) [1302011229](#)