

Miniature Halogen Lamps

T-2 3/4 Bulb

Line No.	Part Number	Base Type	Design Volts	Design Watts	MSCD	Filament Type	Rated Life	Fig No.	Foot Notes
1	64111	Mini Bayonet	12	5	6.4	C-6	240	86	

* **Caution** : Operates under pressure and may shatter. Use appropriate screening techniques to protect people and surroundings. Do not operate in close proximity to persons, combustible materials, or substances affected by heat or drying. Do not operate over 110% rated voltage because such operation increases pressure and lamps' tendency to shatter. Ultraviolet output may cause skin and eye irritation with prolonged exposure. Protect bulb from abrasions and scratches. Do not insert lamps when power is on. Follow operating instructions.

Sockets : Because of the relatively high wattage in these lamps, special ceramic sockets must be used. Heat dissipation must be considered in equipment design.

Min. Bulb Wall Temperature..... 200°C Max. Seal Temperature 350°C

Burning Position

T-2 1/4 and T-3 1/4 : Base down to horizontal

T-4 and T-4 5/8 : Horizontal

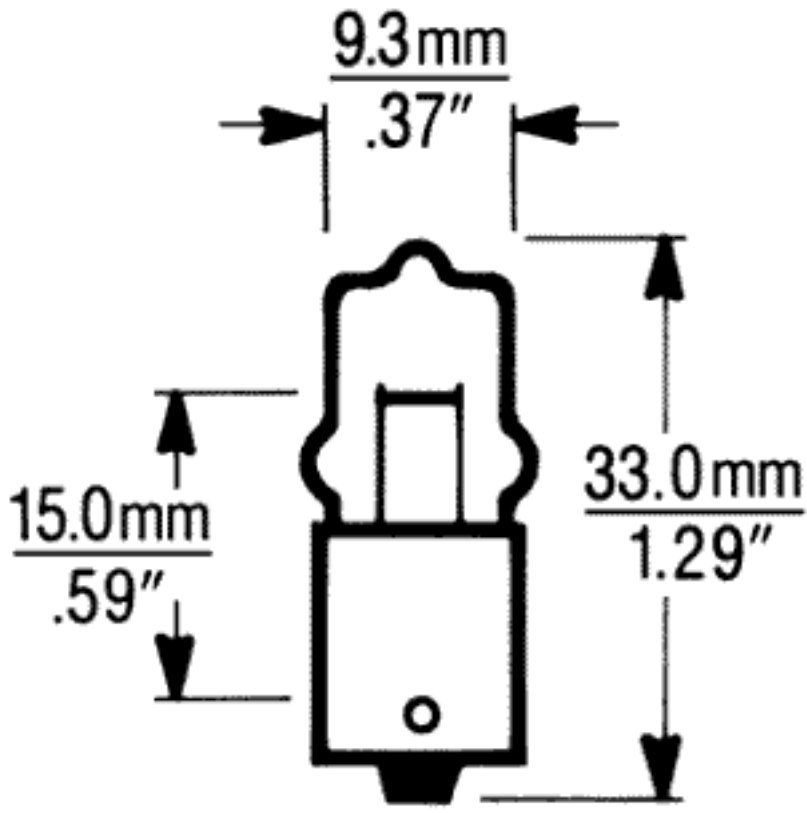


Fig. 86

X-ON Electronics

Largest Supplier of Electrical and Electronic Components

Click to view similar products for [osram](#) manufacturer:

Other Similar products are found below :

[LS E65B-V1AB-1-1-50-R33-Z](#) [LO L296-Q2S1-24-Z](#) [IPD2131-27](#) [2351MFX6](#) [2352MFX6](#) [GW PSLPS1.EC-KSKU-5R8T-1](#) [418962A](#) [LCW](#)
[JNSH.PC-CPCR-5H7I-1](#) [LE RTDUW S2W](#) [LT A67C-S2U1-35](#) [4052899958142](#) [4052899958173](#) [4052899971028](#) [4052899971035](#)
[4052899971042](#) [BPW 34 FASR](#) [BPW 34 FSR](#) [BPW 34 SR](#) [LT A67C-T2V1-35](#) [GY CSHPM1.23-KQKS-36-0](#) [4052899971011](#) [KW](#)
[H5L531.TE-Z7R7-EBVFFCBB46-RS5R](#) [4058075097421](#) [79675](#) [79632](#) [OT 40/220-240/24 DIM P](#) [OT 60/220-240/24 DIM P](#) [OT 100/220-](#)
[240/24 DIM P](#) [OT FIT 45/220-240/200 D L](#) [KW2 HIL532.TK-D2D9-4L07M0-SC6B](#) [LW TWTG.BB-BXCX-2B2C-1](#) [LA E6SF-BBCB-24-1-Z](#)
[HDSP2112S](#) [LY E6SF-AABA-46-1-Z](#) [64760](#) [SFH 4715A-CBDA](#) [4058075097360](#) [4058075097544](#) [47659](#) [OT 6/200-240/24 CE](#) [OT FIT](#)
[35/220-240/350 D CS L](#) [OT FIT 8/220-240/180 CS S MINI](#) [64150ULT](#) [79366](#) [4052899917583](#) [GW CSSRM2.PM-N3N5-XX51-1](#)
[ELEMENT 90/220-240/24](#) [OT 40/220-240/24 P](#) [OT 60/220-240/24 P](#) [ELEMENT 6/220-240/150 S](#)