

1204KL (30[□]x 10^L)



EMINEBEA.COM

General Specifications

Motor Protection:

Auto Restart/Polarity Protection

Insulation Resistance: 10M Ω or over with a DC500V Megger

Dielectric Withstand Voltage: AC 700V 1s

Allowable Ambient Temperature Range:

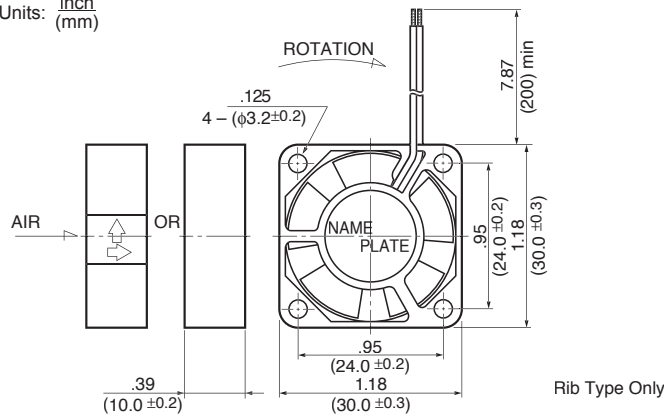
-10°C ~ +70°C (Operating)

-40°C ~ +70°C (Storage)

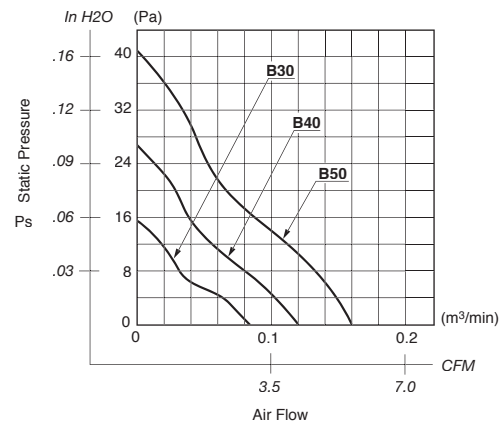
(non-condensing environment)

Outline

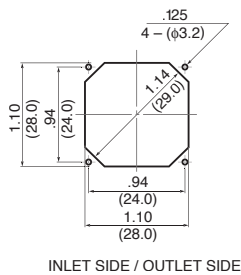
Units: $\frac{\text{inch}}{\text{(mm)}}$



Characteristic Curves



Panel Cut-outs



Material

- Casing : Plastic (Black) 94V-0
- Impeller : Plastic (Black) 94V-0
- Bearing : Ball Bearing
- Lead Wire: UL1061, AWG26, +Red, -Black

Specifications

MODEL	Product No.	Rated Voltage	Operating Voltage	Current	Input Power	Speed	Max. Air Flow		Max. Static Pressure		Noise	Mass
		(V)	(V)	(A) ^{*1}	(W) ^{*1}	(min ⁻¹) ^{*1}	CFM ^{*1}	(m ³ /min) ^{*1}	in H ₂ O	(Pa) ^{*1}	(dB) ^{*1}	(g)
1204KL-01W-B30-	X00	5	4.5 ~ 5.5	0.10	0.50	7500	2.7	0.078	.116	29.0	21.0	8.5
1204KL-01W-B40-	X00	5	4.5 ~ 5.5	0.14	0.70	9000	3.2	0.091	.148	37.0	23.0	8.5
1204KL-01W-B50-	X00	5	4.5 ~ 5.5	0.18	0.90	10500	3.8	0.110	.216	54.0	27.0	8.5
1204KL-04W-B30-	X00	12	6 ~ 13.8	0.06	0.72	7500	2.7	0.078	.116	29.0	21.0	8.5
1204KL-04W-B40-	X00	12	6 ~ 13.8	0.07	0.84	9000	3.2	0.091	.148	37.0	23.0	8.5
1204KL-04W-B50-	X00	12	6 ~ 13.8	0.08	0.96	10500	3.8	0.110	.216	54.0	27.0	8.5

Rotation: Clockwise

Airflow Outlet: Air Out Over Struts

*1: Average Values in Free Air

24 10 M L - 04 W - B 10 - P 00

Individual Specifications

Standard

- 00 Standard
- 01~99: Custom

Sensor Type

- 00: Locked Rotor Alarm Signal (Standard)
- 01~49: Locked Rotor Alarm Signal (Custom)
- 50: Tachometer Signal (Standard)
- 51~99: Tachometer Signal (Custom)

Product Number

Item	Classification	Mounting Style
L:	Standard Model	Rib Type
P:	Standard Model	Flange Type
B:	Standard Model	Rib Type
E:	Standard Model	Flange Type
G:	Standard Model	Rib Type
D:	Standard Model	Flange Type
T:	Value Model	Rib Type
S:	Value Model	Flange Type
C:	Value Model	Rib Type
F:	Value Model	Flange Type
J:	Value Model	One Side Rib Type
H:	Value Model	One Side Flange Type
M:	Value Model	Rib Type
V:	Value Model	Flange Type
X:	Vented Casing	Flange Type

Special Control Function

- 0: Standard Type
- 9: Sensor Type
- 8: 2-Speed Type
- 7: Temperature Detecting Variable Speed Type / PWM Control Type
- 6: Temperature Detecting Variable Speed Type/Sensor Type
- 5: 2-Speed Type/Sensor Type

Speed

- 1<2<3<4<5<6<7<8

Bearing

- B: Ball Bearing

Termination

- W: Lead Wires
- T: Terminal (Terminal option on 3610KL and 4715KL Series)

Input Voltage

- 01: 5V
- 04: 12V
- 05: 24V
- 06: 36V
- 07: 48V
- 09: Custom Voltage

Motor Function

- Brushless Type DCM

Series

P Series	G Series
M Series	H Series
N Series	S Series
K Series	F Series

Overall Length (Thickness)

04: 10mm	11: 28mm
06: 15mm	12: 32mm
08: 20mm	15: 38mm
10: 25mm	20: 50mm

Frame Size

10: 25mm	28: 70mm
12: 30mm	31: 80mm
14: 35mm	36: 92mm
16: 40mm	47: 119mm
20: 50mm	50: 127mm
21: 52mm	59: 150mm
24: 60mm	68: 173mm

X-ON Electronics

Largest Supplier of Electrical and Electronic Components

Click to view similar products for [nmb technologies](#) manufacturer:

Other Similar products are found below :

[F250A5-072-D0520](#) [FBA12G12U1A](#) [3610KL-04W-B10-E00](#) [3610SB-05W-B50-B00](#) [3610PS-12W-B30-A00](#) [1004KL-01W-B50-B00](#)
[17250VA-48R-GA-00](#) [3115FS-23T-B20-A00](#) [3110KL-05W-B60-D00](#) [09232JE-12M-BA-F0](#) [3115FS-12T-B20-A00](#) [12537JE-12P-BA-F0](#)
[4715MS-12W-B1A-A00](#) [12032GA-12N-AA-00](#) [4715KL-05W-B19-E50](#) [12038VA-24P-EA-00](#) [3615KL-05W-B59-P50](#) [08038PB-A1L-EA-00](#)
[08038PB-B3L-EA-00](#) [3115FS-12W-B20-A00](#) [BM5115-04W-B50-L00](#) [4710KL-05W-B49-E00](#) [08025DA-12P-AA-00](#) [17PM-K455-00VS](#)
[4710KL-05W-B10-E00](#) [3610SB-05W-B30-B00](#) [R150A3-051-D0790](#) [R172A0-051-D0790](#) [4715FS-12T-B00-D00](#) [3612KL-05W-B50-B00](#)
[08025SA-12M-EA-00](#) [14539GA-12N-AA-00](#) [1608KL-01W-B10-L00](#) [11925PB-B3L-EA-00](#) [3106KL-04W-B40-C00](#) [4715TS-23T-B5A-A00](#)
[15038PB-A1L-EP-00](#) [3115PS-23W-B30-A00](#) [1606KL-04W-B50-L00](#) [3610KL-04W-B50-D00](#) [5920PL-04W-B40-D00](#) [4712KL-04W-B50-](#)
[P00](#) [3610KL-05W-B40-B00](#) [4715FS-23T-B20-D00](#) [4715TS-20W-B50-BM0](#) [4715FS-23W-B5A-D00](#) [1608KL-01W-B50-L00](#) [4715MS-12T-](#)
[B30-A00](#) [4715KL-05W-B30-P00](#) [08025SA-12P-EA-D0](#)