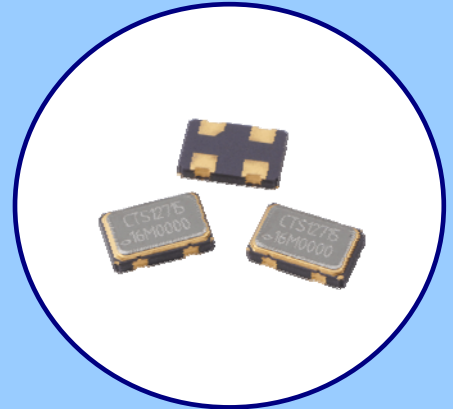




**FEATURES**

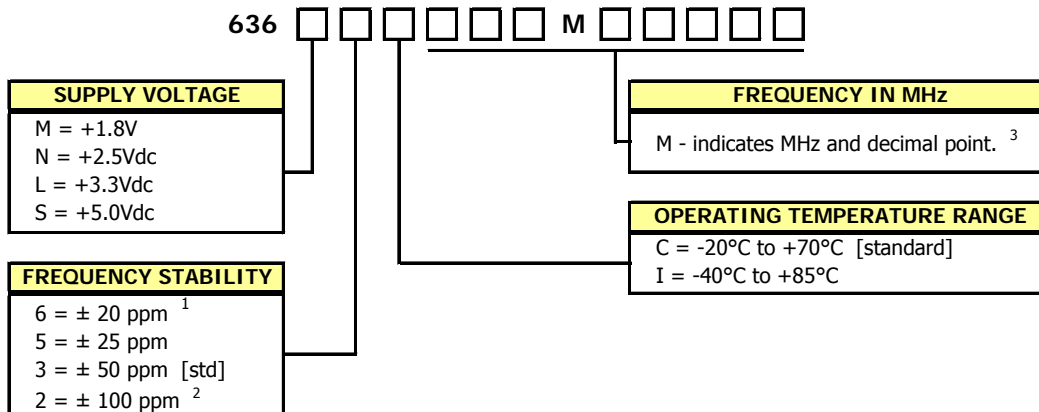
- Standard 5.0mm x 3.2mm 4-Pad Surface Mount Package
- HCMOS/TTL Compatible Output
- Fundamental and 3<sup>rd</sup> Overtone Crystal Designs
- Frequency Range 1 – 160 MHz
- Frequency Stability  $\pm 50$  ppm Standard,  $\pm 25$  ppm and  $\pm 20$  ppm Available
- Operating Voltages +1.8Vdc, +2.5Vdc, +3.3Vdc or +5.0Vdc
- Operating Temperature to -40°C to +85°C
- Output Enable Standard
- Tape & Reel Packaging Standard, EIA-418
- **RoHS/Green Compliant [6/6]**



**APPLICATIONS**

Model 636 is ideal for applications; such as digital video, networking equipment, broadband access, Ethernet/Gigabit Ethernet, microprocessors/DSP/FPGA, storage area networks, computers and peripherals, cameras and other portable devices to name a few.

**ORDERING INFORMATION**

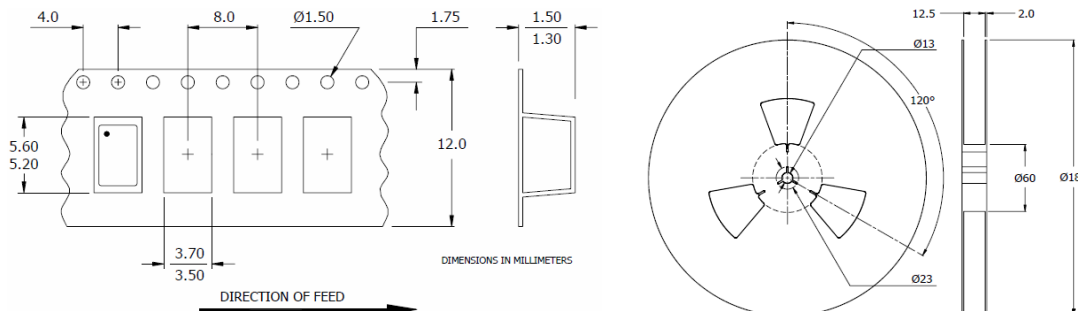


1] Consult factory for 6I Stability/Temperature availability.  
 2] -40°C to +85°C Only.  
 3] Frequency is recorded with three leading significant digits before the 'M' and 5 significant digits after the 'M' (including zeros).  
 [Ex. 3.579545 MHz, code as 003M57954; 14.31818 MHz, code as 014M31818; 125 MHz, code as 125M00000]

**Not all performance combinations and frequencies may be available.**  
**Contact your local CTS Representative or CTS Customer Service for availability.**

**PACKAGING INFORMATION [Reference]**

Factory may package reels in quantities of 1k pcs. or 3k pcs. Reel size is 180mm. **12mm tape width.**

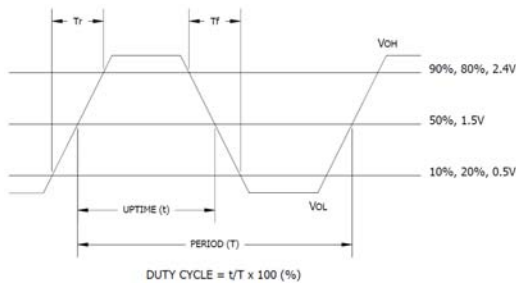




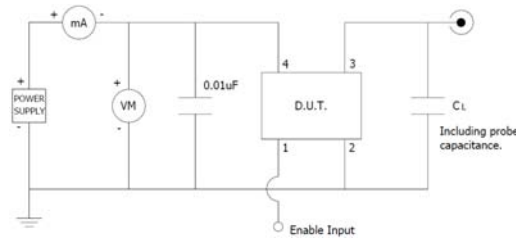
**ELECTRICAL CHARACTERISTICS**

	PARAMETER	SYMBOL	CONDITIONS	MIN	TYP	MAX	UNIT
<b>ELECTRICAL PARAMETERS</b>	Enable Function						
	Enable Input Voltage	V <sub>IH</sub>	Pin 1 Logic '1', Output Enabled	1.26	-	-	V
	Model 636M		Pin 1 Logic '1', Output Enabled	1.75	-	-	
	Model 636N		Pin 1 Logic '1', Output Enabled	2.0	-	-	
	Model 636L		Pin 1 Logic '1', Output Enabled	4.0	-	-	
	Model 636S	Pin 1 Logic '1', Output Enabled					
	Disable Input Voltage	V <sub>IL</sub>	Pin 1 Logic '0', Output Disabled	-	-	0.3	
Model 636M,636N,636L	Pin 1 Logic '0', Output Disabled		-	-	0.8		
Enable Time (M,N,L,S)	T <sub>PLZ</sub>	Pin 1 Logic '1'	-	-	10	ms	
Standby Current	I <sub>ST</sub>	Pin 1 Logic '0', Output Disabled	-	-	10	µA	

**LVC MOS OUTPUT WAVEFORM**



**TEST CIRCUIT, CMOS LOAD**

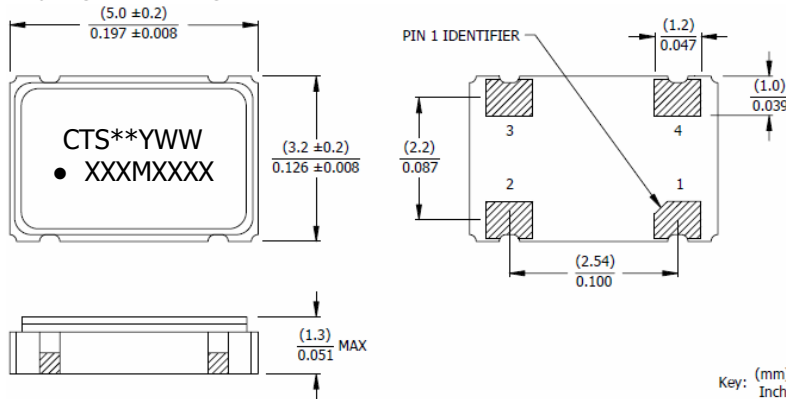


**ENABLE TRUTH TABLE**

PIN 1	PIN 3
Logic '1'	Output
Open	Output
Logic '0'	High Imp.

**MECHANICAL SPECIFICATIONS**

**PACKAGE DRAWING**



**MARKING INFORMATION**

- \*\* - Manufacturing Site Code.
- YWW - Date code, Y - year, WW - week.
- XXXMXXXX - Frequency is marked with only leading significant digits before the 'M' and 4 digits after the 'M' [including zeros].  
Ex. XXXMXXXX [62M5000]  
XXXMXXXX [155M5200]

**NOTES**

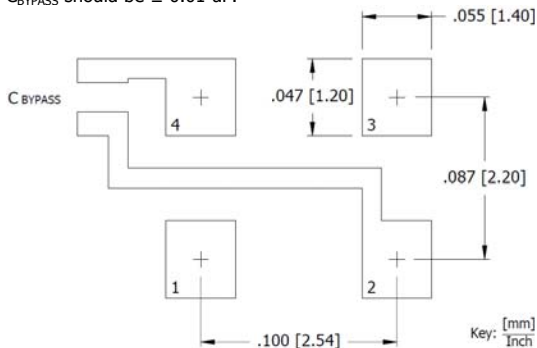
- Termination pads [e4]. Barrier-plating is nickel [Ni] with gold [Au] flash plate.
- Reflow conditions per JEDEC J-STD-020, 260°C maximum, 20 seconds.
- MSL = 1.

**D.U.T. PIN ASSIGNMENTS**

PIN	SYMBOL	DESCRIPTION
1	EOH	Enable
2	GND	Circuit & Package Ground
3	Output	RF Output
4	V <sub>CC</sub>	Supply Voltage

**SUGGESTED SOLDER PAD GEOMETRY**

C<sub>BYPASS</sub> should be ≥ 0.01 µF.



## X-ON Electronics

Largest Supplier of Electrical and Electronic Components

*Click to view similar products for [Standard Clock Oscillators](#) category:*

*Click to view products by [CTS](#) manufacturer:*

Other Similar products are found below :

[EP1400SJTSC-125.000M](#) [601137](#) [601252](#) [CSX750FBC-24.000M-UT](#) [CSX750FBC-33.333M-UT](#) [CSX750FCC-3.6864M-UT](#) [F335-12](#) [F335-25](#) [DSC506-03FM2](#) [ASA-20.000MHZ-L-T](#) [ASA-25.000MHZ-L-T](#) [ASA-27.000MHZ-L-T](#) [ASV-20.000MHZ-LR-T](#) [ECS-2018-160-BN-TR](#) [EL13C7-H2F-125.00M](#) [MXO45HS-2C-66.6666MHZ](#) [SiT1602BI-22-33E-50.000000E](#) [SIT8003AC-11-33S-2.04800X](#) [SiT8256AC-23-33E-156.250000X](#) [SIT8918AA-11-33S-50.000000G](#) [SM4420TEV-40.0M-T1K](#) [SMA4306-TL-H](#) [F335-24](#) [F335-40](#) [F335-50](#) [F535L-10](#) [F535L-12](#) [F535L-16](#) [F535L-27](#) [F535L-48](#) [PE7744DW-100.0M](#) [CSX750FBC-20.000M-UT](#) [CSX-750FBC33333000T](#) [CSX750FBC-4.000M-UT](#) [CSX750FBC-7.3728M-UT](#) [CSX750FBC-8.000M-UT](#) [CSX-750FCC14745600T](#) [CSX750FCC-16.000M-UT](#) [CSX-750FCC40000000T](#) [CSX750FCC-4.000M-UT](#) [ASA-22.000MHZ-L-T](#) [ASA2-26.000MHZ-L-T](#) [ASA-40.000MHZ-L-T](#) [ASA-48.000MHZ-L-T](#) [ASA-60.000MHZ-L-T](#) [ASF1-3.686MHZ-N-K-S](#) [XLH735025.000JU4I8](#) [XLP725125.000JU6I8](#) [XO37CTECNA10M](#) [XO57CRECNA16M](#)