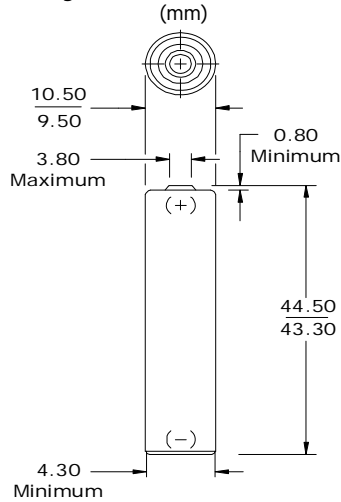


Rechargeable AAA-800 (HR03)

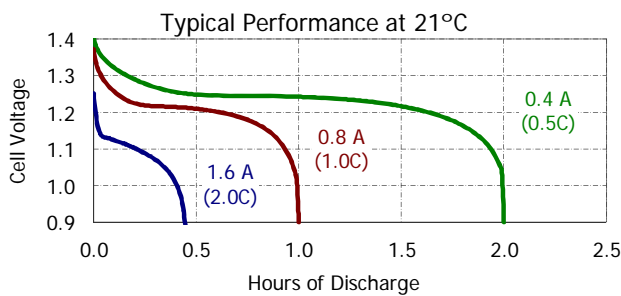
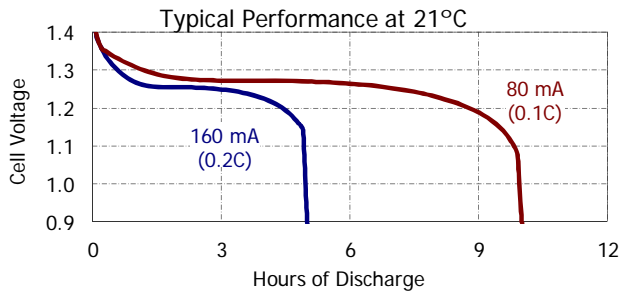
AAA



Industry Standard Dimensions



Typical Discharge Characteristics



Specifications

Classification: ACCU Rechargeable
Chemical System: Nickel-Metal Hydride (NiMH)
Designation: IEC-HR03
Nominal Voltage: 1.2 Volts
Rated Capacity: 800 mAh (to 1.0 volts)
 Based on 160 mA (0.2C) discharge rate
Typical Weight: 12.0 grams
Typical Volume: 3.8 cubic centimeters
Jacket: Plastic Label

Internal Resistance:

The internal resistance of the cell varies with state of charge, as follows:

| Cell Charged | Cell 1/2 Discharged |
|---|---------------------|
| 100 milliohms | 120 milliohms |
| (tolerance of ±20% applies to above values) | |

AC Impedance (No Load):

The impedance of the charged cell varies with frequency, as follows:

| Frequency (Hz) | Impedance (milliohms) (Charged Cell) |
|----------------|---|
| 1000 | 35 |

Above values based on AC current set at 1.0 ampere. Value tolerances are ±20%.

Operating and Storage Temperatures:

To maintain maximum performance, observe the following general guidelines regarding environmental conditions.

- Charge: 0°C to 40°C
- Discharge: 0°C to 50°C
- Storage: -20°C to 30°C
- Humidity: 65±20%

Operating at extreme temperatures, will significantly impact battery cycle life.

Important Notice

This datasheet contains information specific to battery chargers manufactured at the time of its publication.
 ©Energizer Holdings, Inc. - Contents herein do not constitute a warranty.

X-ON Electronics

Largest Supplier of Electrical and Electronic Components

Click to view similar products for [energizer manufacturer](#):

Other Similar products are found below :

[1215F2X3](#) [E11A B2](#) [LR43 186](#) [AC13](#) [AC675](#) [3LR12](#) [603298](#) [625304](#) [638006](#) [639830](#) [S9025](#) [7638900426687](#) [7638900414660](#) [HARD CASE RECHARGEABLE](#) [HARD CASE PRO MULTI USE](#) [HCHD311](#) [S9029](#) [639826](#) [603386](#) [HARD CASE PROFF 4AA](#) [HARDCASE PRO HEADLIGHT](#) [639618](#) [RCLINM2WR](#) [S8865](#) [S8707](#) [S8100](#) [7638900424478](#) [7638900313130](#) [626177](#) [E300116200](#) [E300280600](#) [639838](#) [HARDCASE PRO WORK LIGHT](#) [603305](#) [METAL LED 6AA](#) [S8864](#) [HDD32E](#) [MS2AALED](#) [ENERGIZER® 2-IN-1 LANTERN HANDHELD](#) [E300124200](#) [E300171700](#) [ENFFL81E](#) [E300112600](#) [633474](#) [HDA32E](#) [7638900421422](#) [HARD CASE PRO PIVOT](#) [HCSP61E](#) [7638900424485](#) [HDC32E](#)