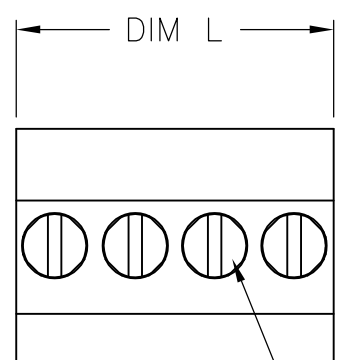


THIS DRAWING IS UNPUBLISHED. RELEASED FOR PUBLICATION
 © COPYRIGHT BY TYCO ELECTRONICS CORPORATION. ALL RIGHTS RESERVED.

LOC	DIST	REVISIONS			
P	LTR	DESCRIPTION	DATE	DWN	APVD
—	—	A	REVISED PER ECO-09-014471	18JUN09	HMR CR

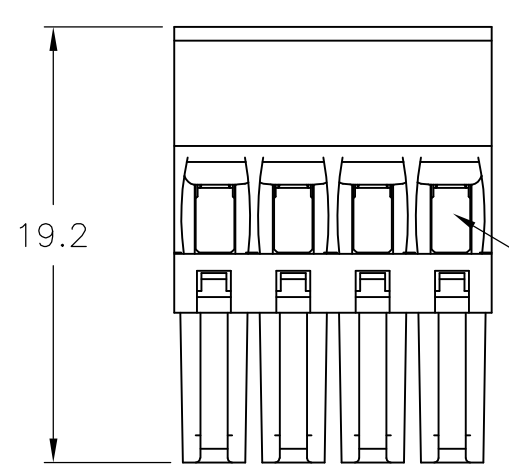


CLAMPING SCREW

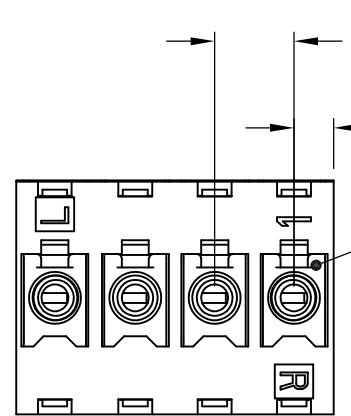
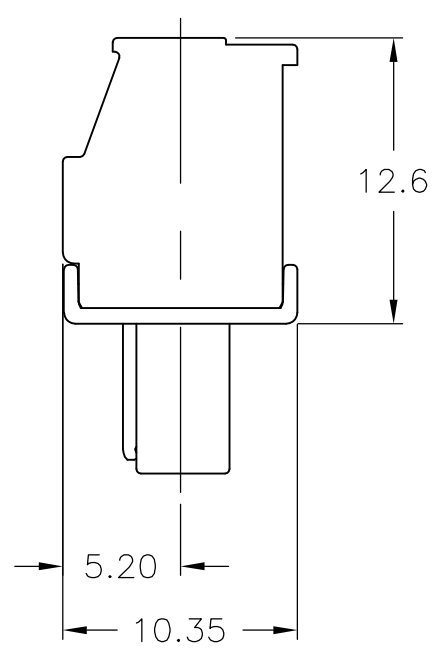
MATERIALS AND FINISH:
 HOUSING: PA 6-6, UL94V-0, COLOR: GREEN.
 CLAMP: BRASS, NICKEL PLATED.
 CONTACT SPRING: PHOSPHOR BRONZE, TIN PLATED.
 CLAMPING SCREW: M2, BRASS, NICKEL PLATED.

ELECTRICAL:
 VOLTAGE RATING: 300V
 CURRENT RATING: 11A
 WIRE SIZE RANGE: 14-30 AWG

ENVIRONMENTAL:
 OPERATING TEMP RANGE: -40°C TO +110°C



WIRE ENTRY



MATING FACE

56.0	16	1-1986370-6
52.5	15	1-1986370-5
49.0	14	1-1986370-4
45.5	13	1-1986370-3
42.0	12	1-1986370-2
38.5	11	1-1986370-1
35.0	10	1-1986370-0
31.5	9	1986370-9
28.0	8	1986370-8
24.5	7	1986370-7
21.0	6	1986370-6
17.5	5	1986370-5
14.0	4	1986370-4
10.5	3	1986370-3
7.0	2	1986370-2
DIM L	NO OF POS	PART NUMBER

THIS DRAWING IS A CONTROLLED DOCUMENT.		DWN S SCHLEGEL 17MAR2008	Tyco Electronics Corporation Harrisburg, PA 17105-3608	
DIMENSIONS: mm		CHK C RICHARD 3/17/08	NAME	
TOLERANCES UNLESS OTHERWISE SPECIFIED:		APVD C RICHARD 3/17/08	TERMINAL BLOCK, PLUG, VERTICAL STACKING, RIGHT HAND, 3.50mm PITCH	
0 PLC ± -		PRODUCT SPEC	SIZE	CAGE CODE
1 PLC ± 0.3		APPLICATION SPEC	A3	00779
2 PLC ± 0.25		WEIGHT	DRAWING NO	
3 PLC ± -		CUSTOMER DRAWING	G-1986370	
4 PLC ± -		SCALE	NTS	SHEET
ANGLES ± 2'		RESTRICTED TO	1 OF 1	
MATERIAL	FINISH	REV A		

X-ON Electronics

Largest Supplier of Electrical and Electronic Components

Click to view similar products for [Pluggable Terminal Blocks](#) category:

Click to view products by [TE Connectivity](#) manufacturer:

Other Similar products are found below :

[57.404.7553](#) [57.504.0053.7](#) [57.510.0053](#) [57.910.6153](#) [01.112.1453](#) [CTB932VE/6](#) [MC 1.5/ 6-ST-3.5 GY AU](#) [ET02015000J0G](#) [734-104](#) [734-302](#) [734-304](#) [8-141-P](#) [FKCT 2.5/ 3-ST KMGY](#) [860505](#) [860508](#) [860516](#) [860810](#) [861908](#) [GBPACX-12](#) [93.731.4953.0](#) [PV05-5,08-K](#) [PVP02-5,00](#) [PVP04-3,50](#) [PVS02-5,00](#) [1-1986160-3](#) [H-10](#) [1546228-5](#) [ELFH09150](#) [ELFH16150](#) [ELFP03110](#) [ELFT06250](#) [ELFT07250](#) [ELVF09400](#) [ELVP03100](#) [ELXH03100](#) [ELXP041G0](#) [ELXT046G0](#) [1700101](#) [1700410](#) [1700425](#) [1703176](#) [1703243](#) [1705229](#) [1710175](#) [1714537](#) [1717806](#) [1719600](#) [1728941](#) [1729386](#) [1734692](#)