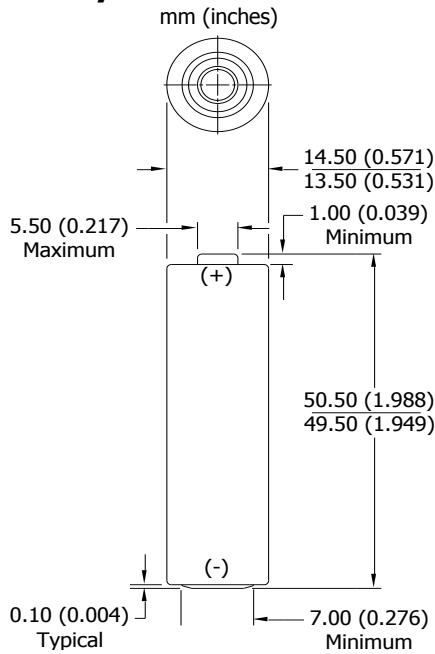


**ENERGIZER EA91**  
Advanced Lithium



**AA**

**Industry Standard Dimensions**



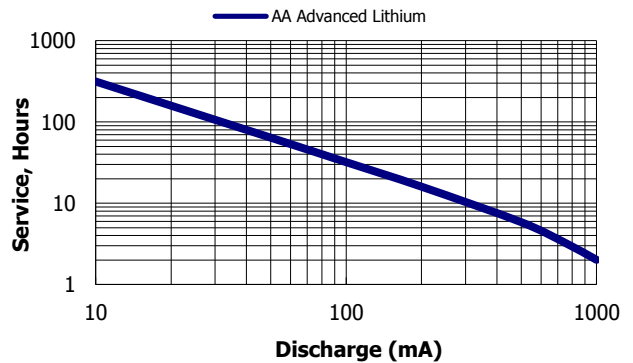
This battery has Underwriters Laboratories component recognition (MH29980)

**Specifications**

<b>Classification:</b>	"Cylindrical Lithium"
<b>Chemical System:</b>	Lithium/Iron Disulfide (Li/FeS <sub>2</sub> )
<b>Designation:</b>	ANSI 15-LF, IEC-FR6
<b>Nominal Voltage:</b>	1.5 Volts
<b>Storage Temp:</b>	-40°C to 60°C (-40°F to 140°F)
<b>Operating Temp:</b>	-40°C to 60°C (-40°F to 140°F)
<b>Typical Weight:</b>	14.5 grams (0.5 oz.)
<b>Typical Volume:</b>	8.0 cubic centimeters (0.5 cubic inch)
<b>Max Discharge:</b>	1.5 Amps Continuous
	(single battery only)
<b>Max Rev Current:</b>	2.0 Amps Pulse (2 sec on / 8 sec off)
<b>Typical Li Content:</b>	2 uA
<b>Typical IR:</b>	Less than 1 gram
<b>Shelf Life:</b>	120 to 300 milliohms (depending on method)
	12 years at 21°C

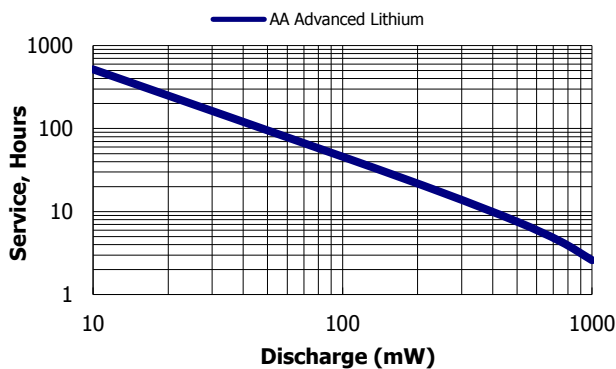
**Constant Current Performance**

Typical Characteristics to 1.0 Volts at 21°C



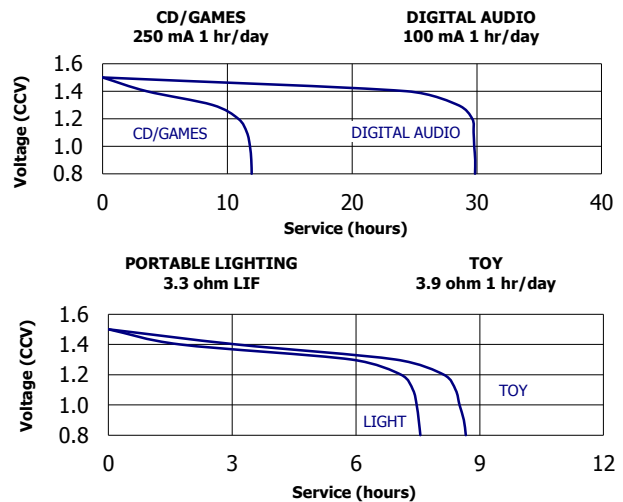
**Constant Power Performance**

Typical Characteristics to 1.0 Volts at 21°C



**Application Tests**

Typical Characteristics at 21°C



**Important Notice**

This datasheet contains typical information specific to products manufactured at the time of its publication.  
©Energizer Holdings, Inc. - Contents herein do not constitute a warranty.

## X-ON Electronics

Largest Supplier of Electrical and Electronic Components

*Click to view similar products for [energizer manufacturer](#):*

Other Similar products are found below :

[1215F2X3](#) [E11A B2](#) [LR43 186](#) [AC13](#) [AC675](#) [3LR12](#) [603298](#) [625304](#) [638006](#) [639830](#) [S9025](#) [7638900426687](#) [7638900414660](#) [HARD CASE RECHARGEABLE](#) [HARD CASE PRO MULTI USE](#) [HCHD311](#) [S9029](#) [639826](#) [603386](#) [HARD CASE PROFF 4AA](#) [HARDCASE PRO HEADLIGHT](#) [639618](#) [RCLINM2WR](#) [S8865](#) [S8707](#) [S8100](#) [7638900424478](#) [7638900313130](#) [626177](#) [E300116200](#) [E300280600](#) [639838](#) [HARDCASE PRO WORK LIGHT](#) [603305](#) [METAL LED 6AA](#) [S8864](#) [HDD32E](#) [MS2AALED](#) [ENERGIZER® 2-IN-1 LANTERN HANDHELD](#) [E300124200](#) [E300171700](#) [ENFFL81E](#) [E300112600](#) [633474](#) [HDA32E](#) [7638900421422](#) [HARD CASE PRO PIVOT](#) [HCSP61E](#) [7638900424485](#) [HDC32E](#)