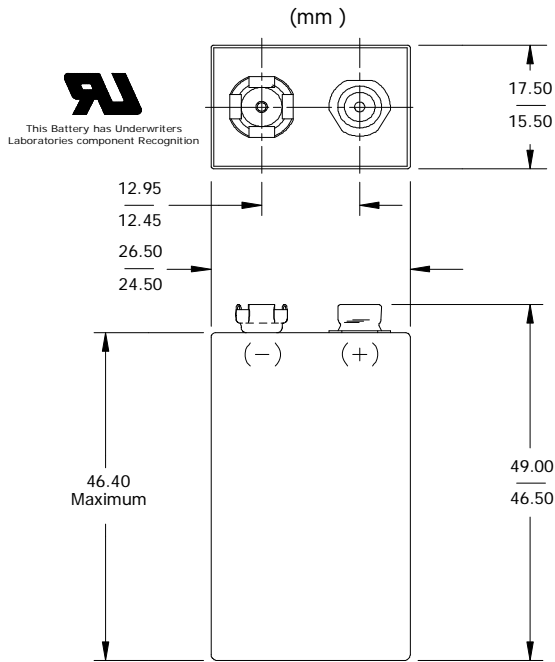


ENERGIZER LA522
Lithium

9V



Industry Standard Dimensions

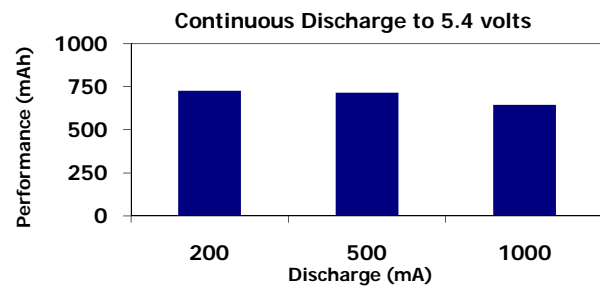
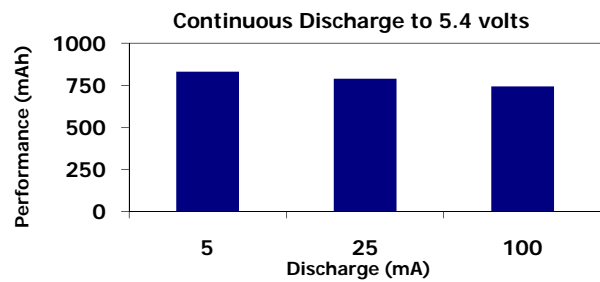


Classification: Lithium 9V
Chemical System: Lithium-Manganese Dioxide (Li/MnO₂)
Designation: ANSI-1604LC
Nominal Voltage: 9.0 volts
Operating Temp: -40°C to 60°C
Storage Temp: -40°C to 60°C
Max Discharge : 1K mA continuous
Safety Features: Positive Temperature Coefficient Switch (PTC)
 Burst Proof Venting Holes

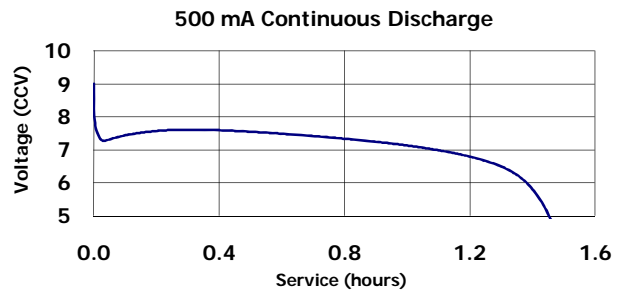
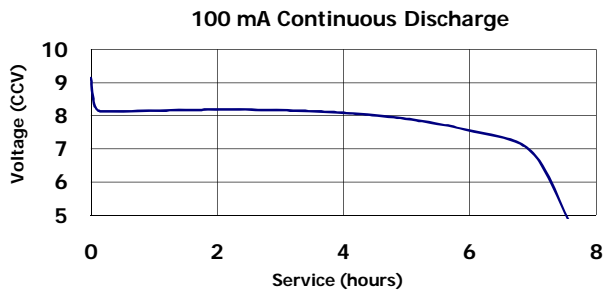
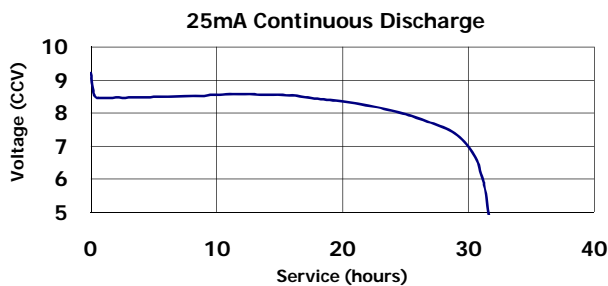
Typical Weight: 33.9 grams
Typical Volume: 21.4 cubic centimeters
Jacket: Plastic Label
Terminal: Miniature Snap
Shelf Life: 10 Years
Typical Li Content: 1.35 grams
UL/UN Listed: MH12454 / 38.3

Shipping: For complete details, please reference:
 Global (except US): Special Provision A45 of the International Air Transport Association Dangerous Goods Regulations

Milliamp-Hours Performance (21°C)



Typical Discharge Performance (21°C)



Important Notice

This datasheet contains typical information specific to products manufactured at the time of its publication.
 ©Energizer Holdings, Inc. - Contents herein do not constitute a warranty.

X-ON Electronics

Largest Supplier of Electrical and Electronic Components

Click to view similar products for [energizer manufacturer](#):

Other Similar products are found below :

[1215F2X3](#) [E11A B2](#) [LR43 186](#) [AC13](#) [AC675](#) [3LR12](#) [603298](#) [625304](#) [638006](#) [639830](#) [S9025](#) [7638900426687](#) [7638900414660](#) [HARD CASE RECHARGEABLE](#) [HARD CASE PRO MULTI USE](#) [HCHD311](#) [S9029](#) [639826](#) [603386](#) [HARD CASE PROFF 4AA](#) [HARDCASE PRO HEADLIGHT](#) [639618](#) [RCLINM2WR](#) [S8865](#) [S8707](#) [S8100](#) [7638900424478](#) [7638900313130](#) [626177](#) [E300116200](#) [E300280600](#) [639838](#) [HARDCASE PRO WORK LIGHT](#) [603305](#) [METAL LED 6AA](#) [S8864](#) [HDD32E](#) [MS2AALED](#) [ENERGIZER® 2-IN-1 LANTERN HANDHELD](#) [E300124200](#) [E300171700](#) [ENFFL81E](#) [E300112600](#) [633474](#) [HDA32E](#) [7638900421422](#) [HARD CASE PRO PIVOT](#) [HCSP61E](#) [7638900424485](#) [HDC32E](#)