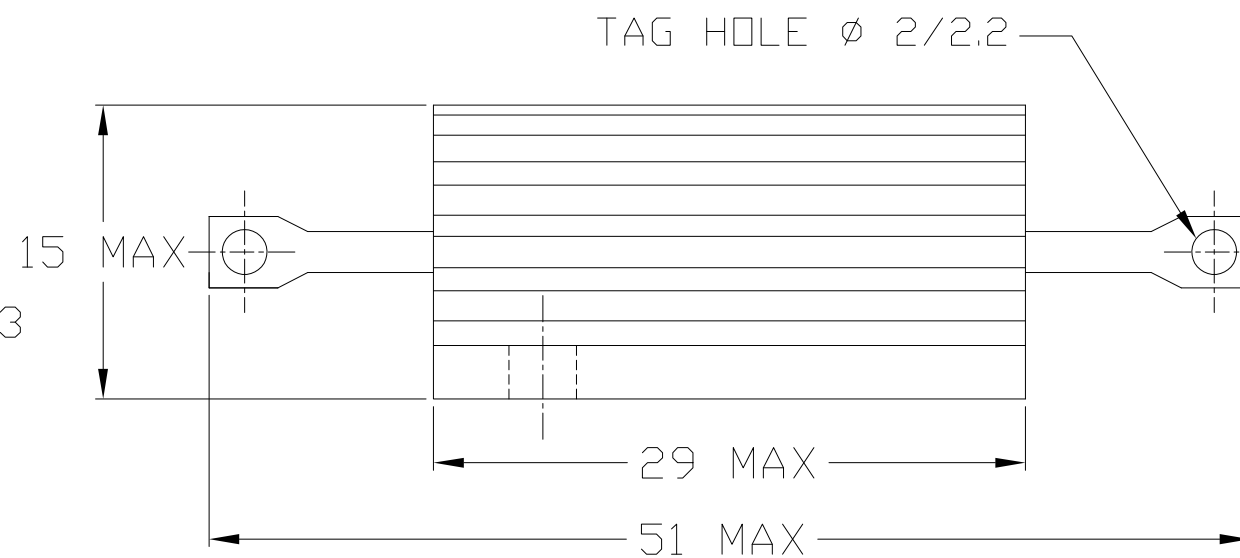
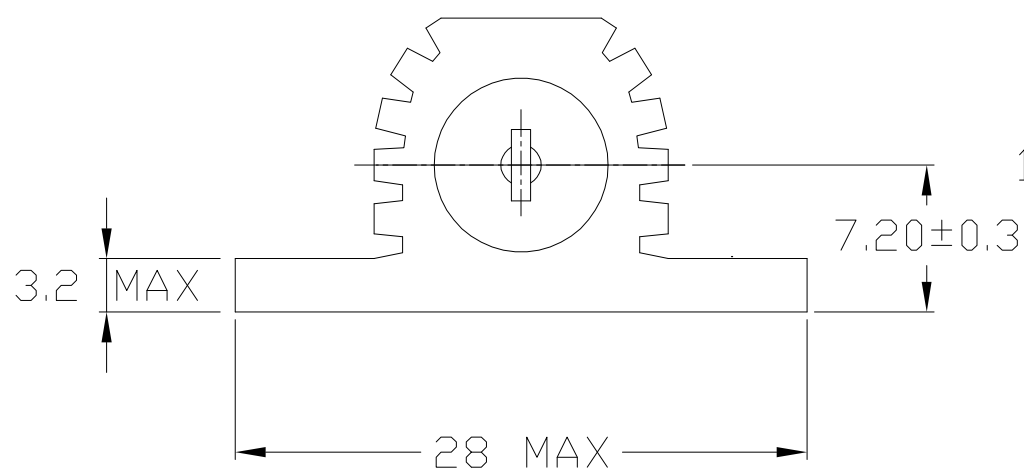
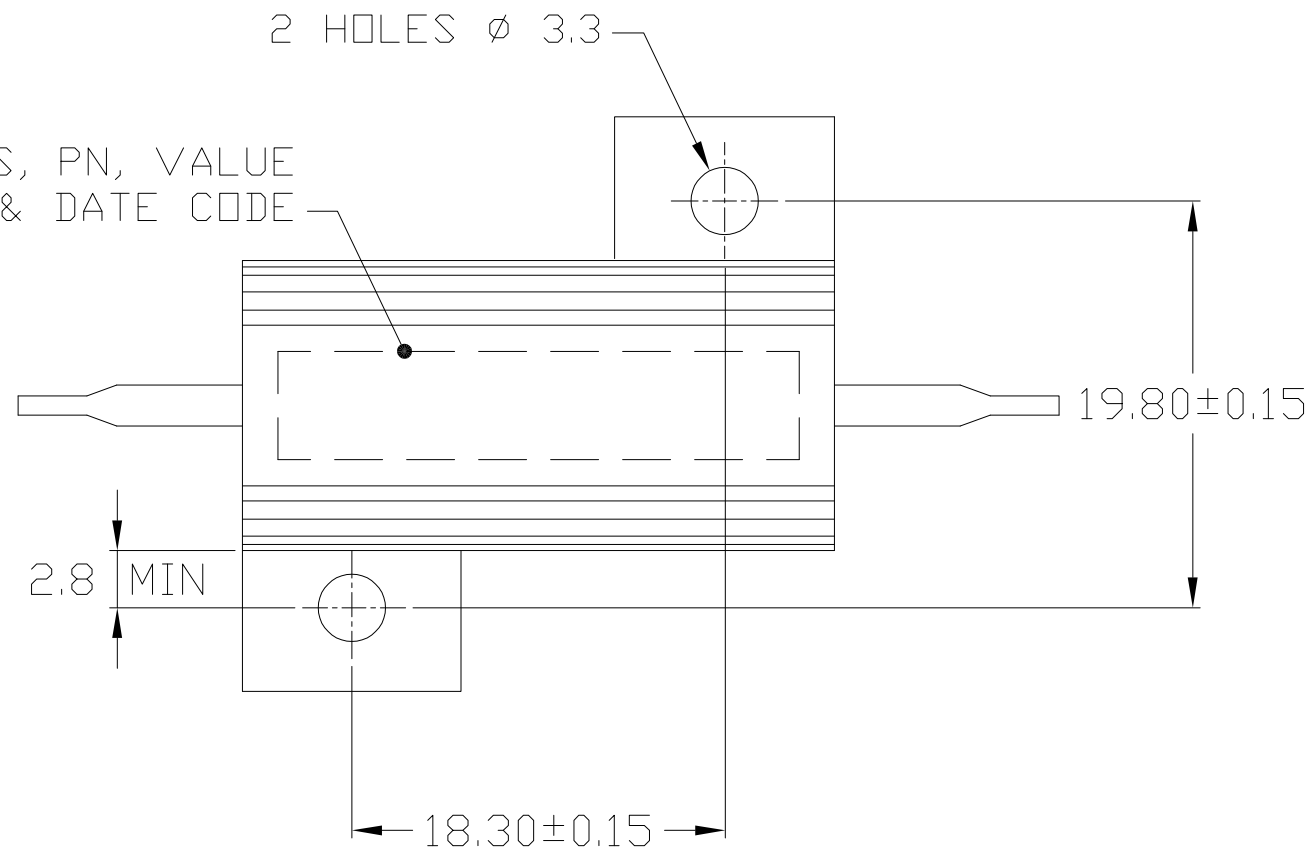


LOC	DIST	REVISIONS			
P	LTR	DESCRIPTION	DATE	DWN	APVD
E	B	A1	REVISED PER ECO-11-005150	21MAR11	RK HMR

### TECHNICAL SPECIFICATION

DISSIPATION AT 25° C 25 WATTS MOUNTED ON STD HEATSINK  
 BS OHMIC RANGE R01 TO 20K  
 STABILITY ΔR ≤1% per 1000hrs  
 ISOLATION VOLTAGE 2500V DC/AC pk  
 MAX WORKING VOLTAGE 550V DC/AC rms  
 TEMP COEFFICIENT <100R ±50ppm/°C  
 >100R ±30ppm/°C  
 CLIMATIC CATAGORY 55/200/56

TYCO, CGS, PN, VALUE  
 TOLERANCE & DATE CODE



FOR A SPECIFIC PN FOR A RESISTANCE VALUE AND TOLERANCE, PLEASE REFER TO DMF.

**RoHS Compliant**

THIS DRAWING IS A CONTROLLED DOCUMENT.		DWN R BLANCH 19SEPT06	<b>STE</b> TE Connectivity				
DIMENSIONS: mm		CHK J CATCHPOLE 19SEPT06					
TOLERANCES UNLESS OTHERWISE SPECIFIED:		APVD J CATCHPOLE 19SEPT06	NAME THS25 METAL CLAD RESISTOR				
0 PLC ± 0.5		PRODUCT SPEC	-				
1 PLC ± 0.2		APPLICATION SPEC	-				
2 PLC ± 0.1		WEIGHT -	SIZE A3	CAGE CODE 00779	DRAWING NO C-1879075	RESTRICTED TO -	
3 PLC ± -		MATERIAL -	CUSTOMER DRAWING		SCALE NTS	SHEET 1 OF 1	REV A1
4 PLC ± -			FINISH -				
ANGLES ± 5°							

## X-ON Electronics

Largest Supplier of Electrical and Electronic Components

*Click to view similar products for [Wirewound Resistors - Chassis Mount](#) category:*

*Click to view products by [TE Connectivity](#) manufacturer:*

Other Similar products are found below :

[HD300HLR71J](#) [VK100NA-50](#) [40/70MJ2K00BE](#) [L75J1K0E](#) [VK100NA250](#) [L100J150E-MT1](#) [L50J500E-MT1](#) [SL130J100K-12](#)  
[HSC1004R0F](#) [F30J20R](#) [HSC1008R0F](#) [HSX25R22J](#) [L100J40K](#) [CL65J10R](#) [HSW600 47R J](#) [HSW600 1R J](#) [L12NJ20R](#) [75342-400](#) [HSW600](#)  
[22R J](#) [VRH320 1K K](#) [VRH320 100R K](#) [968.15 110M C E](#) [HSW600 4R7 J](#) [40/70MJ230R0HE](#) [L25J500E-MT1](#) [1-2176247-6](#) [1-2176248-5](#) [2-](#)  
[2176248-0](#) [1-2176249-3](#) [C1500K12R](#) [FST02515E50R00KEE3](#) [AG5NFR68E](#) [AG12NFR68E](#) [AG12NFR47E](#) [AG12NFR56E](#) [AG12NFR33E](#)  
[CL25J39R](#) [AG12NFR22E](#) [850J220E](#) [AG12NFR10E](#) [CL225J30K](#) [810F7R7E](#) [LN100J75RE](#) [D50K100-B](#) [L225J6K0E](#) [21025K538-5R0KE](#)  
[LN80J30R](#) [C300KR75E](#) [D50K25R-B](#) [LN80J14R](#)