

6. THIS DRAWING PREVIOUSLY IDENTIFIED AS NANONICS N10138/230

5. NANONICS TERMINATION CODE: L2

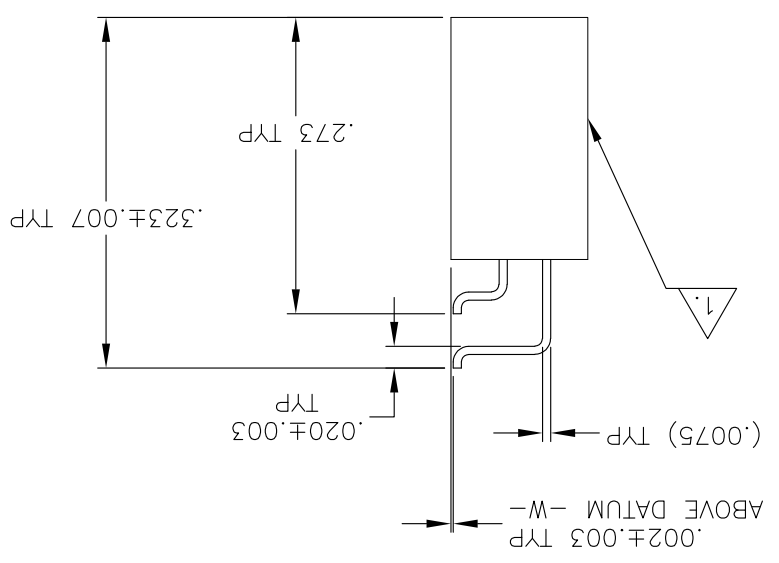
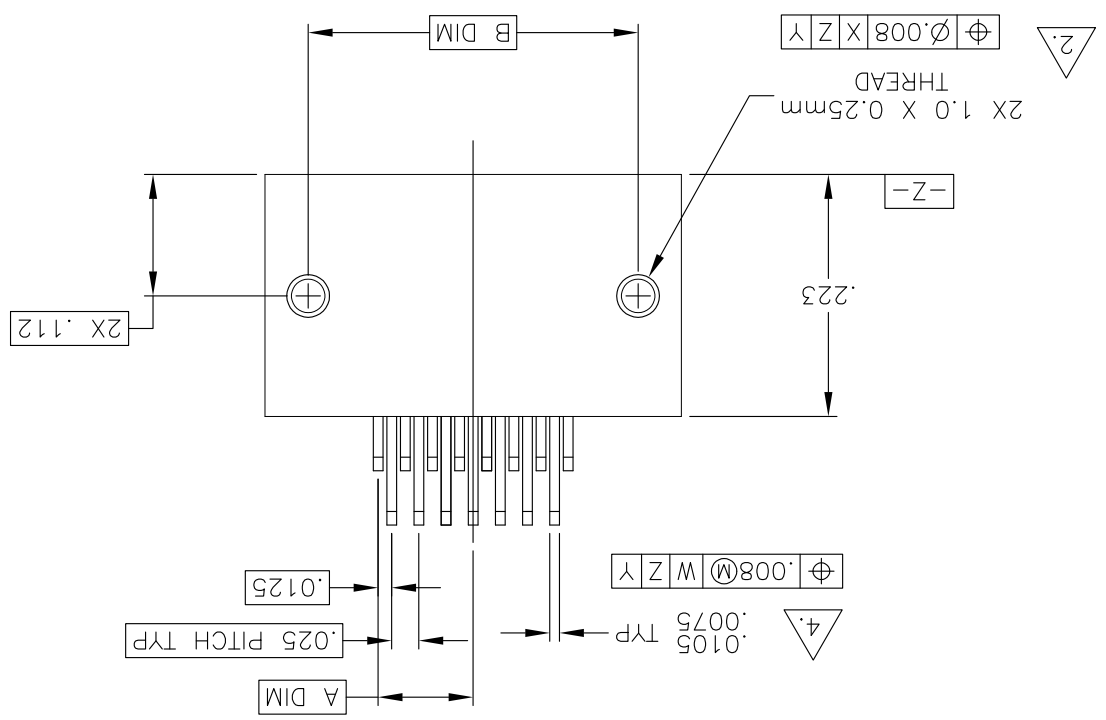
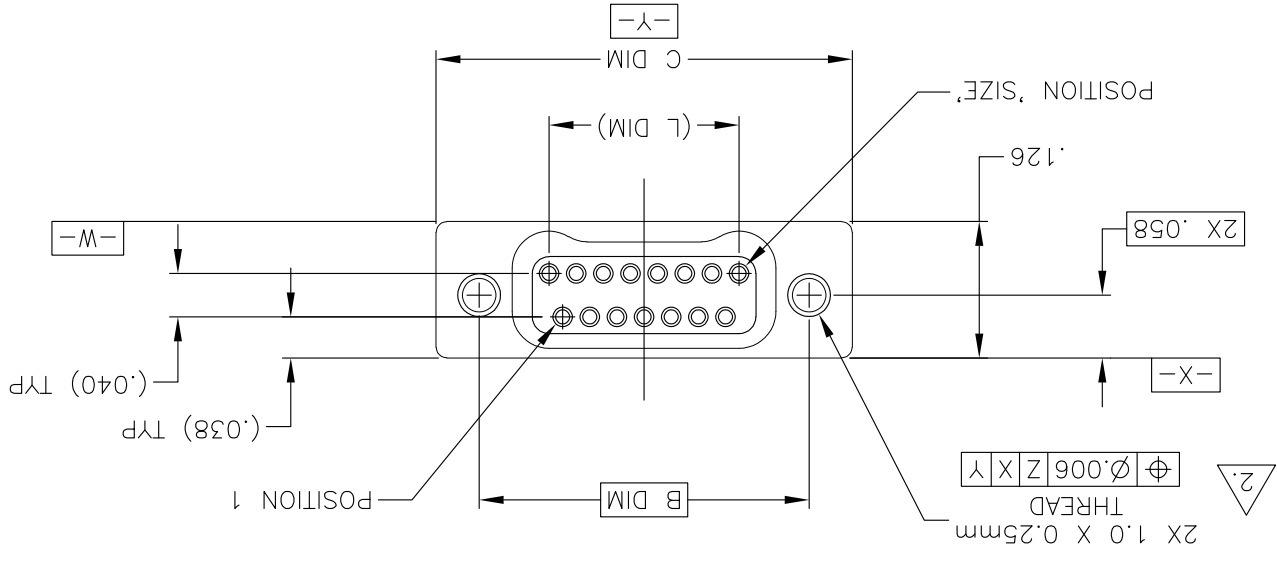
4. SMT LEADS ARE BeCu, TIN LEAD PLATED 60/40 COMPOSITION PER SAE-AMS-P-81728.

3. MOUNTING HARDWARE IS AVAILABLE WITH THIS CONFIGURATION (NOT SHOWN). HARDWARE MUST BE SPECIFIED IN THE NANONICS PART NUMBER. CONSULT THE CONNECTIVITY FOR DETAILS.

2. STANDARD 1.0 X 0.25mm MOUNTING AND JACKSCREW THREADS ARE SHOWN FOR REFERENCE ONLY AND MUST BE SPECIFIED IN THE NANONICS PART NUMBER WHEN REQUIRED. 1.2 X 0.25mm THREADS ALSO AVAILABLE.

1. SHELL OPTIONS (TO BE SPECIFIED IN NANONICS PART NUMBER):

- METAL: 6061-T6 ALUMINUM, ELECTROLESS NICKEL PLATED PER MIL-C-26074 (STANDARD) OR GOLD PLATED PER MIL-G-45204
- 303 STAINLESS STEEL, PASSIVATED PER SAE-AMS-QQ-P-35
- INSULATOR MATERIAL FOR ALL METAL SHELLS IS LIQUID CRYSTAL POLYMER (LCP) PER MIL-M-24519 OR PER ASTM D5138
- PLASTIC: LIQUID CRYSTAL POLYMER (LCP) PER MIL-M-24519 OR PER ASTM D5138



SIZE	A DIM	B DIM	C DIM ±.0050	(L DIM)
09	.050	.229	.3085	(.100)
15	.0875	.304	.3835	(.175)
25	.150	.429	.5085	(.300)
37	.225	.579	.6585	(.450)
51	.3125	.754	.8335	(.625)
65	.400	.929	1.0085	(.800)

THIS DRAWING IS A CONTROLLED DOCUMENT. DATE: 15 FEB 01, BY: M. STORRY, CHK: S. KAIN, APVD: -

DIMENSIONS: INCHES

FINISH: 0 PLC, 1 PLC, 2 PLC, 3 PLC, 4 PLC, ANGLES ± .1°

SEE NOTES

CUSTOMER DRAWING: SCALE: 8:1, SHEET: 1 OF 2, REV: U2

RESTRICTED TO: -

NAME: -

PRODUCT SPEC: -

APPLICATION SPEC: -

WEIGHT: -

SIZE: A2

CAGE CODE: 00779

DRAWING NO: 1589483

RECEPTACLE ASSEMBLY, HORIZONTAL SURFACE, MOUNT, TWO ROW DUAL, PLASTIC OR METAL

STE TE Connectivity

REVISIONS

LOC	DIST	DF	DO	P	LTR	DATE	DESCRIPTION
						09OCT14	REVISD PER ECO-14-013212
							REVISED PER ECO-14-013212
							MGMC CT

A

B

C

D

A

B

C

D

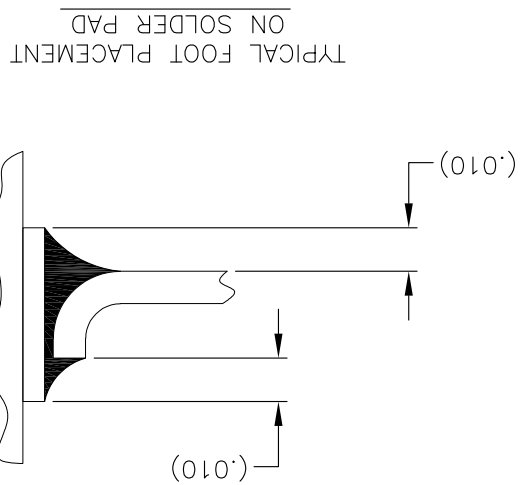
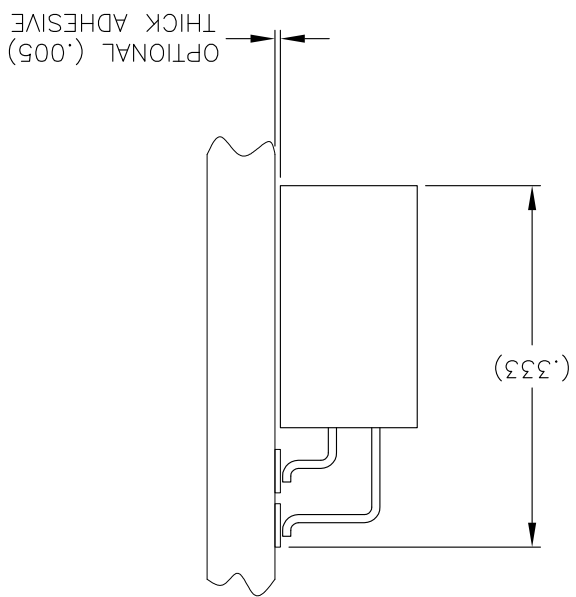
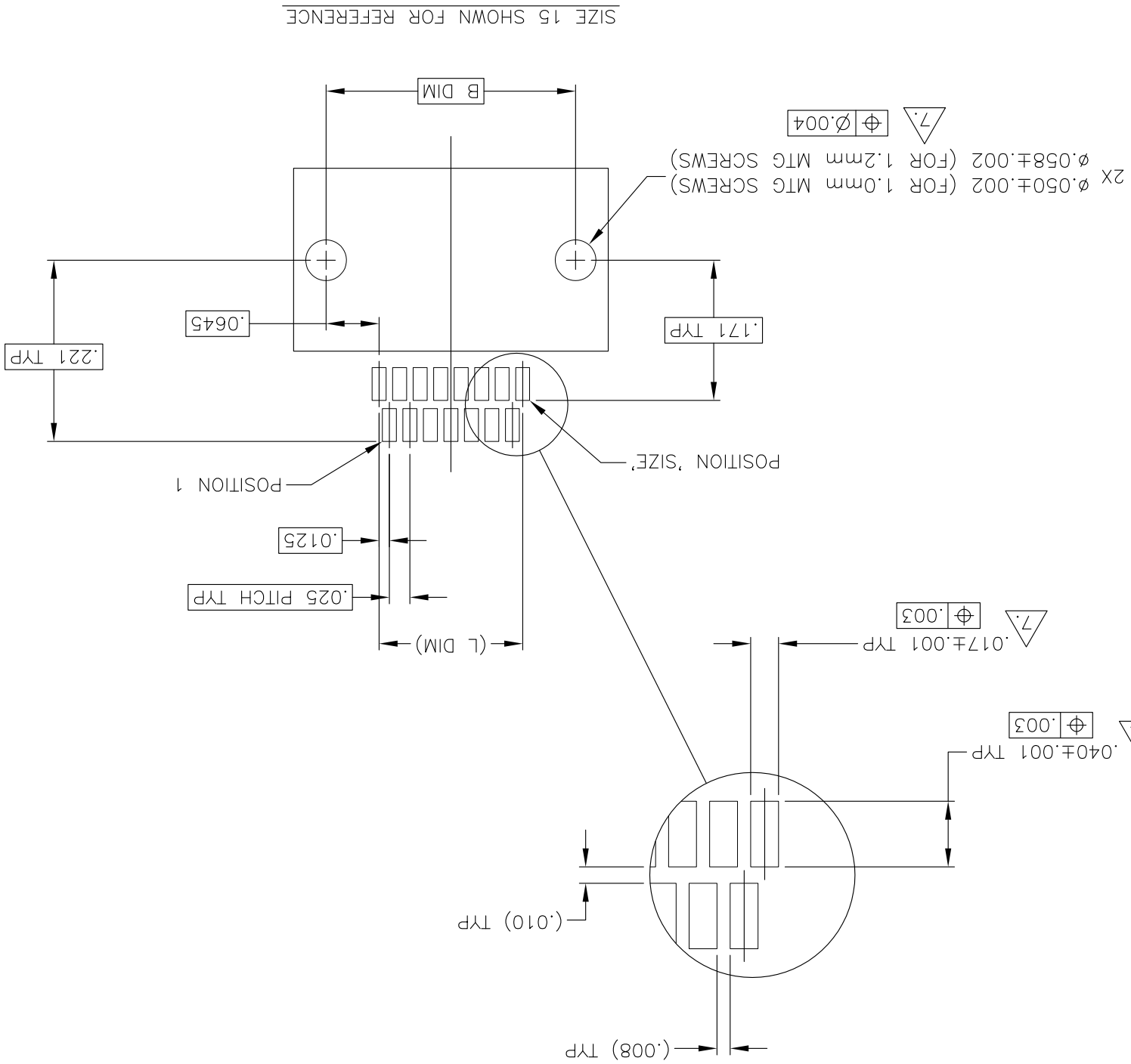


POSITIONAL TOLERANCES FOR BASIC DIMENSIONED FEATURES ARE RELATIVE TO FIDUCIALS OR SOME SIMILAR DATUM REFERENCE DEFINED BY THE PCB DESIGNER.

MATERIAL: -		FINISH: -		CUSTOMER DRAWING	
DIMENSIONS: INCHES		TOLERANCES UNLESS OTHERWISE SPECIFIED:		SCALE: 8:1	
0 PLC ±		0 PLC ±		SHEET 2 of 2	
1 PLC ±		1 PLC ±		REV U2	
2 PLC ±		2 PLC ±			
3 PLC ±		3 PLC ±			
4 PLC ±		4 PLC ±			
ANGLES: -		WEIGHT: -		APPLICATION SPEC: -	
-		-		PRODUCT SPEC: -	
-		-		NAME: -	
-		-		RECEPTACLE ASSEMBLY, HORIZONTAL SURFACE	
-		-		MOUNT, TWO ROW DUAL IN LINE, PLASTIC OR METAL	
-		-		DRAWING NO: 1589483	
-		-		CAGE CODE: A2 00779	
-		-		SIZE: -	
-		-		RESTRICTED TO: -	

THIS DRAWING IS A CONTROLLED DOCUMENT.  
 DWG: M. STORRY 15 FEB 01  
 CHK: S. KAIN 15 FEB 01  
 NAME: -  
 APVD: -  
 PRODUCT SPEC: -  
 APPLICATION SPEC: -  
 WEIGHT: -  
 FINISH: -  
 MATERIAL: -

TYPICAL PCB LAYOUT



LOC	DF	DO	P	LTR	DATE	DWG	APVD

REVISIONS

1

2

3

4

THIS DRAWING IS UNPUBLISHED. RELEASED FOR PUBLICATION ALL RIGHTS RESERVED.

© COPYRIGHT - - BY - -

## X-ON Electronics

Largest Supplier of Electrical and Electronic Components

*Click to view similar products for [Rectangular Mil Spec Connectors](#) category:*

*Click to view products by [TE Connectivity](#) manufacturer:*

Other Similar products are found below :

[006-1169-16](#) [CSR31343-0001-00000](#) [CSR31346-0001-A0001](#) [CSR31899-0001-00000](#) [CSR31900-0001-A0001](#) [CTJ-3D-05](#) [CTS-S16/16](#)  
[M55302/57A36X](#) [M55302/58-A70Y](#) [65002-062](#) [65008-D08](#) [CY4602-000](#) [732-8020-01](#) [732-8021-02 B](#) [77058-22-55PN](#) [81542-20](#)  
[86.030.0053.0](#) [1241346-1](#) [RM252-020-311-2900](#) [DMC-M 08-16 SNE](#) [1589051-4](#) [BACC65CAMA](#) [BACC65CAMN](#) [BACC65CP1PN](#)  
[BACI10BC1220PN](#) [18023-9](#) [HSB-D4S03DM222X](#) [2217548-1](#) [891-009-15SA2-BRT1T](#) [SIM2S100A](#) [1604996-2](#) [SMD25PN90L-4055](#)  
[1925036-4](#) [220A012-25225-0](#) [22628-10-6P-791](#) [CSR31343-0001-A0001](#) [CSR31899-0001-A0001](#) [CSR31900-0001-00000](#) [33526M11-08PD](#)  
[RE04-212S](#) [CTD160E01F-6148](#) [CTJ112E03B](#) [CTJ122E02D-8000](#) [CTJ-3D-12](#) [CTJ920E06N-513](#) [CTJ920E12N-513](#) [CTL-16-090](#) [CTR06-](#)  
[5100SY](#) [M55302/63A20H](#) [M55302/66-30H](#)