

6. THIS DRAWING PREVIOUSLY IDENTIFIED AS NANONICS N10138/230

5. NANONICS TERMINATION CODE: L2

4. SMT LEADS ARE BCU, TIN LEAD PLATED 60/40 COMPOSITION PER SAE-AMS-P-81728.

3. MOUNTING HARDWARE IS AVAILABLE WITH THIS CONFIGURATION (NOT SHOWN). HARDWARE MUST BE SPECIFIED IN THE NANONICS PART NUMBER. CONSULT THE CONNECTIVITY FOR DETAILS.

2. STANDARD 1.0 X 0.25mm MOUNTING AND JACKSCREW THREADS ARE SHOWN FOR REFERENCE ONLY AND MUST BE SPECIFIED IN THE NANONICS PART NUMBER WHEN REQUIRED. 1.2 X 0.25mm THREADS ALSO AVAILABLE.

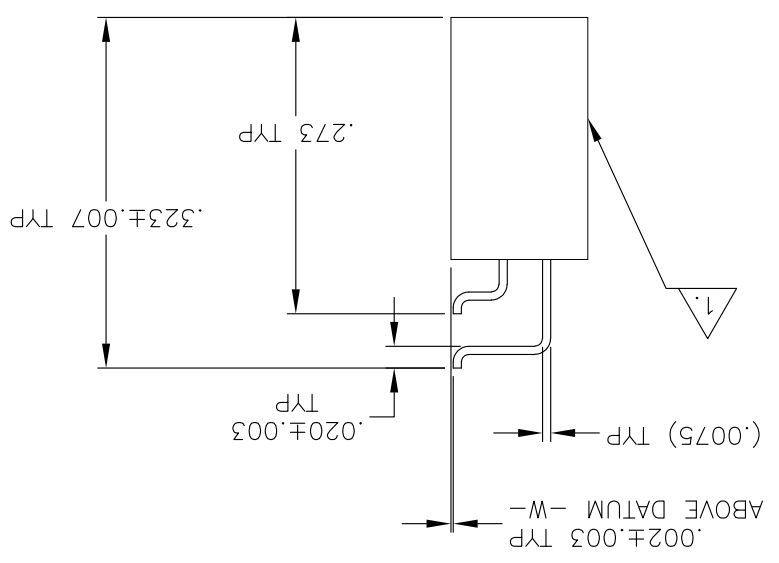
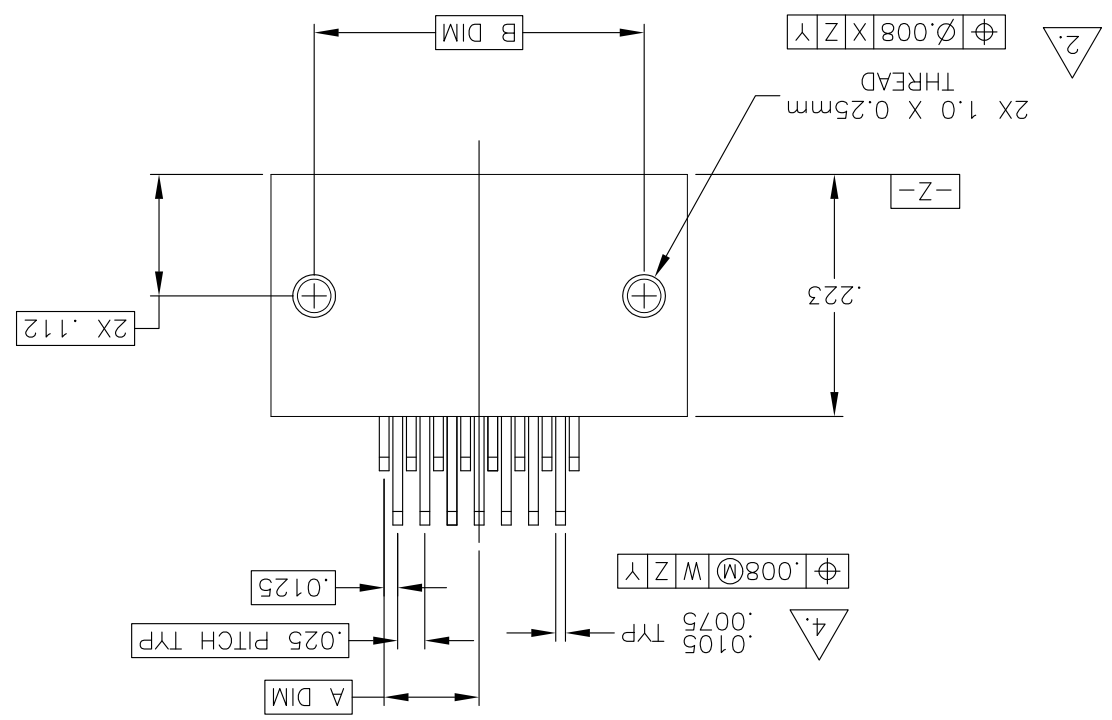
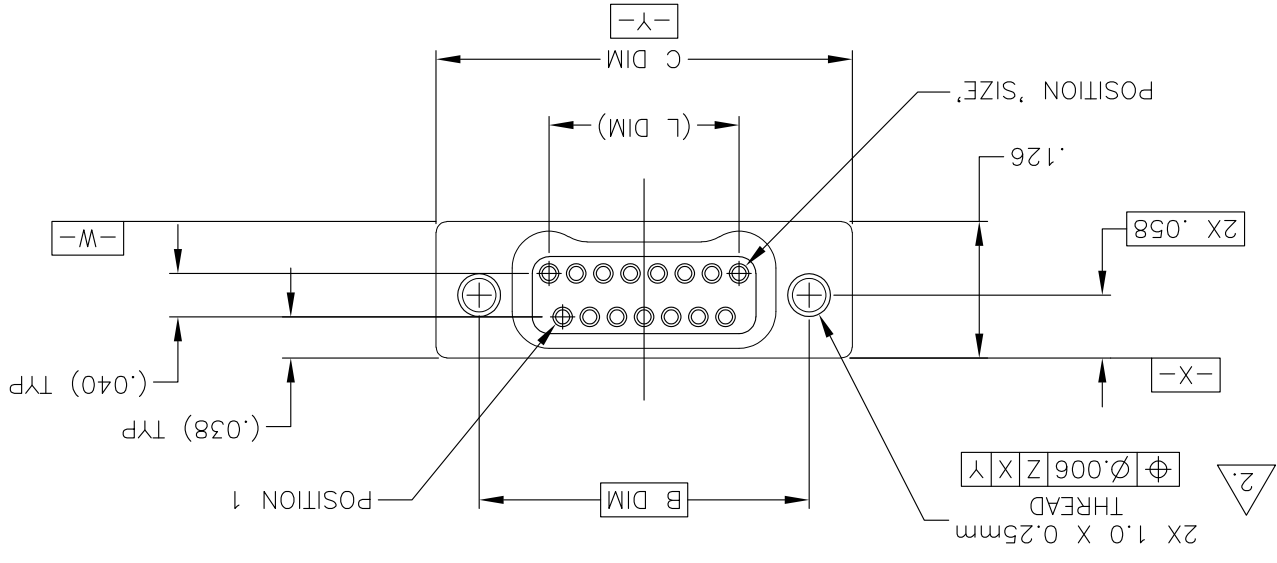
1. PLASTIC: LIQUID CRYSTAL POLYMER (LCP) PER MIL-M-24519 OR PER ASTM D5138

INSULATOR MATERIAL FOR ALL METAL SHELLS IS LIQUID CRYSTAL POLYMER (LCP) PER MIL-M-24519 OR PER ASTM D5138

303 STAINLESS STEEL, PASSIVATED PER SAE-AMS-QQ-P-35

METAL: 6061-T6 ALUMINUM, ELECTROLESS NICKEL PLATED PER MIL-C-26074 (STANDARD) OR GOLD PLATED PER MIL-G-45204

SHELL OPTIONS (TO BE SPECIFIED IN NANONICS PART NUMBER):



INSULATOR MATERIAL FOR ALL METAL SHELLS IS LIQUID CRYSTAL POLYMER (LCP) PER MIL-M-24519 OR PER ASTM D5138
 303 STAINLESS STEEL, PASSIVATED PER SAE-AMS-QQ-P-35
 METAL: 6061-T6 ALUMINUM, ELECTROLESS NICKEL PLATED PER MIL-C-26074 (STANDARD) OR GOLD PLATED PER MIL-G-45204
 PLASTIC: LIQUID CRYSTAL POLYMER (LCP) PER MIL-M-24519 OR PER ASTM D5138
 STANDARD 1.0 X 0.25mm MOUNTING AND JACKSCREW THREADS ARE SHOWN FOR REFERENCE ONLY AND MUST BE SPECIFIED IN THE NANONICS PART NUMBER WHEN REQUIRED. 1.2 X 0.25mm THREADS ALSO AVAILABLE.
 MOUNTING HARDWARE IS AVAILABLE WITH THIS CONFIGURATION (NOT SHOWN). HARDWARE MUST BE SPECIFIED IN THE NANONICS PART NUMBER. CONSULT THE CONNECTIVITY FOR DETAILS.
 SMT LEADS ARE BCU, TIN LEAD PLATED 60/40 COMPOSITION PER SAE-AMS-P-81728.
 NANONICS TERMINATION CODE: L2
 THIS DRAWING PREVIOUSLY IDENTIFIED AS NANONICS N10138/230

MATERIAL		SEE NOTES	
FINISH		SEE NOTES	
DIMENSIONS:		TOLERANCES UNLESS OTHERWISE SPECIFIED:	
INCHES		0 PLC ± .010	
		1 PLC ± .010	
		2 PLC ± .005	
		3 PLC ± .005	
		4 PLC ± .010	
APPLICABLE SPEC		PRODUCT SPEC	
WEIGHT		NAME	
A2		M. STORRY	
00779		S. KAIN	
1589483		15 FEB 01	
CUSTOMER DRAWING		15 FEB 01	

SIZE	A DIM	B DIM	C DIM ±.0050	L DIM
09	.050	.229	.3085	(.100)
15	.0875	.304	.3835	(.175)
25	.150	.429	.5085	(.300)
37	.225	.579	.6585	(.450)
51	.3125	.754	.8335	(.625)
65	.400	.929	1.0085	(.800)

DF	DO	REVISIONS
LOC	DIST	
		090CT14 MCM CT
		REVISD PER ECO-14-013212
		U2
		DATE
		DWN
		APVD

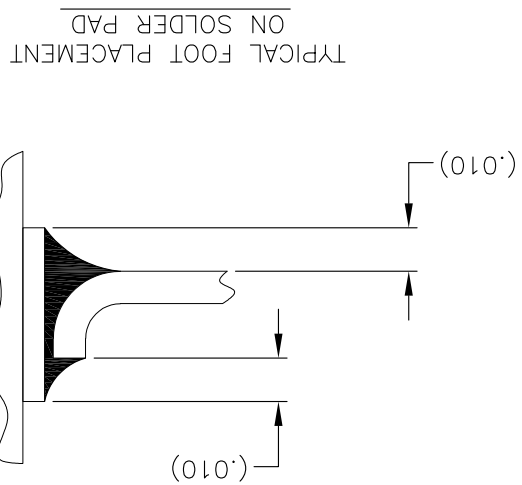
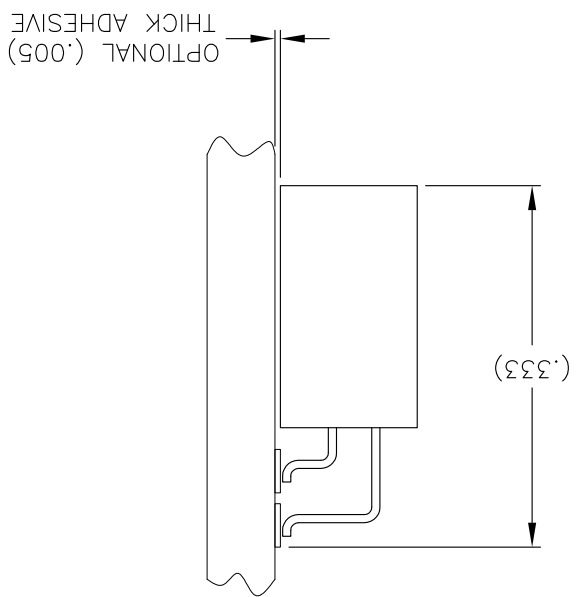
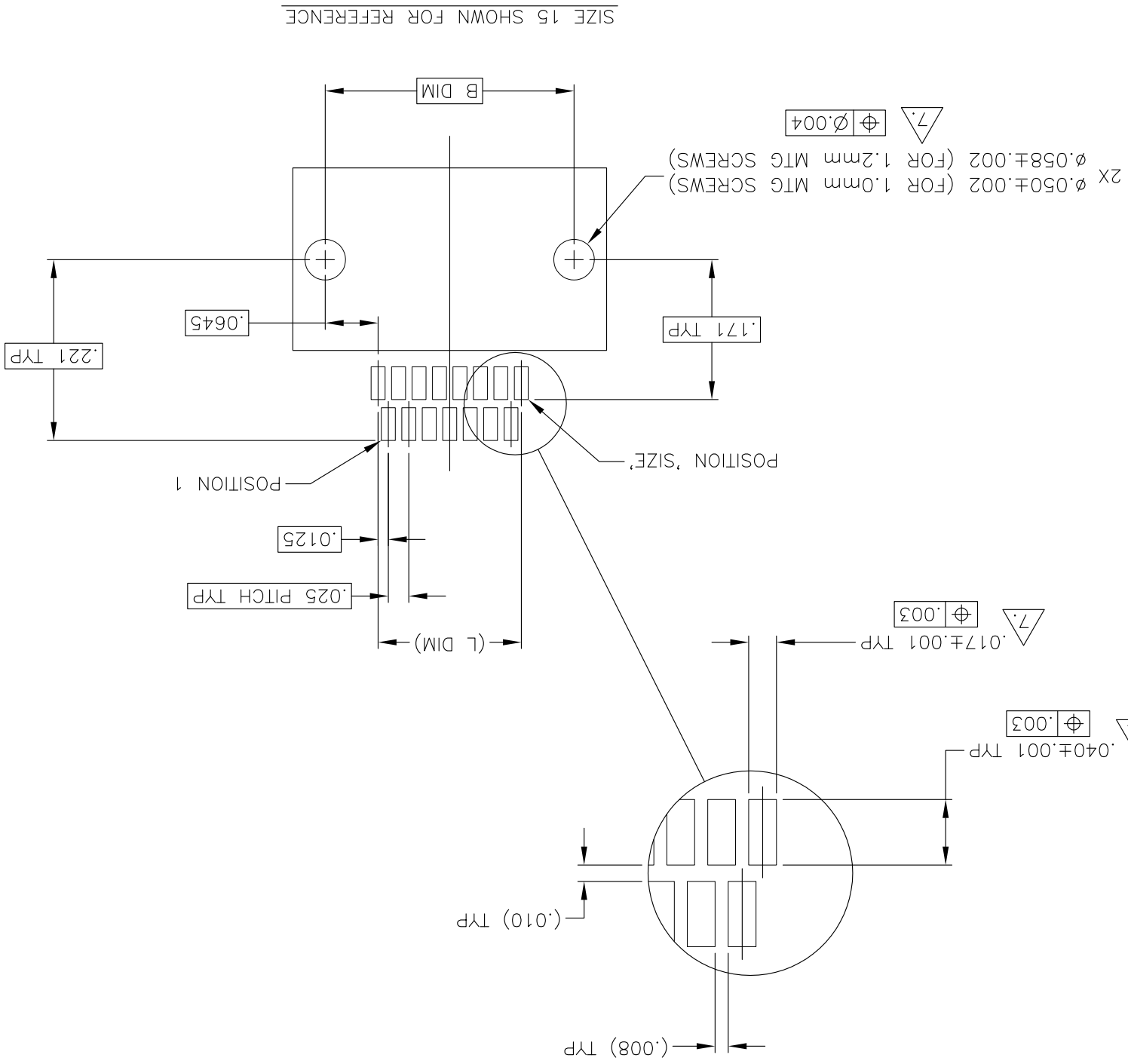
1589483



POSITIONAL TOLERANCES FOR BASIC DIMENSIONS ARE RELATIVE TO FIDUCIALS OR SOME SIMILAR DATUM REFERENCE DEFINED BY THE PCB DESIGNER.

MATERIAL: -		FINISH: -		CUSTOMER DRAWING	
DIMENSIONS: INCHES		TOLERANCES UNLESS OTHERWISE SPECIFIED:		SCALE: 8:1	
0 PLC ±		0 PLC ±		SHEET 2 of 2	
1 PLC ±		1 PLC ±		REV U2	
2 PLC ±		2 PLC ±			
3 PLC ±		3 PLC ±			
4 PLC ±		4 PLC ±			
APPLIC. SPEC.		PRODUCT SPEC.		APPLIC. SPEC.	
WEIGHT: -		SIZE: A2		CAGE CODE: 00779	
DRAWING NO: 1589483		DRAWING NO: 1589483		DRAWING NO: 1589483	
NAME: -		APVD: -		NAME: -	
S. KAIN		M. STORRY		S. KAIN	
CHK: -		DMN: -		CHK: -	
15 FEB 01		15 FEB 01		15 FEB 01	
TE Connectivity		STE		TE Connectivity	

TYPICAL PCB LAYOUT



LOC	DF	DO	P	LTR	DATE	DMN	APVD
REVISIONS							
1							
SEE SHEET 1							

X-ON Electronics

Largest Supplier of Electrical and Electronic Components

Click to view similar products for [Rectangular Mil Spec Connectors](#) category:

Click to view products by [TE Connectivity](#) manufacturer:

Other Similar products are found below :

[006-1169-16](#) [CSR31343-0001-00000](#) [CSR31346-0001-A0001](#) [CSR31899-0001-00000](#) [CSR31900-0001-A0001](#) [CTJ-3D-05](#) [CTS-S16/16](#)
[M55302/57A36X](#) [M55302/58-A70Y](#) [65002-062](#) [65008-D08](#) [CY4602-000](#) [732-8020-01](#) [732-8021-02 B](#) [77058-22-55PN](#) [81542-20](#)
[86.030.0053.0](#) [1241346-1](#) [RM252-020-311-2900](#) [DMC-M 08-16 SNE](#) [1589051-4](#) [BACC65CAMA](#) [BACC65CAMN](#) [BACC65CP1PN](#)
[BACI10BC1220PN](#) [18023-9](#) [HSB-D4S03DM222X](#) [2217548-1](#) [891-009-15SA2-BRT1T](#) [SIM2S100A](#) [1604996-2](#) [SMD25PN90L-4055](#)
[1925036-4](#) [220A012-25225-0](#) [22628-10-6P-791](#) [CSR31343-0001-A0001](#) [CSR31899-0001-A0001](#) [CSR31900-0001-00000](#) [33526M11-08PD](#)
[RE04-212S](#) [CTD160E01F-6148](#) [CTJ112E03B](#) [CTJ122E02D-8000](#) [CTJ-3D-12](#) [CTJ920E06N-513](#) [CTJ920E12N-513](#) [CTL-16-090](#) [CTR06-](#)
[5100SY](#) [M55302/63A20H](#) [M55302/66-30H](#)