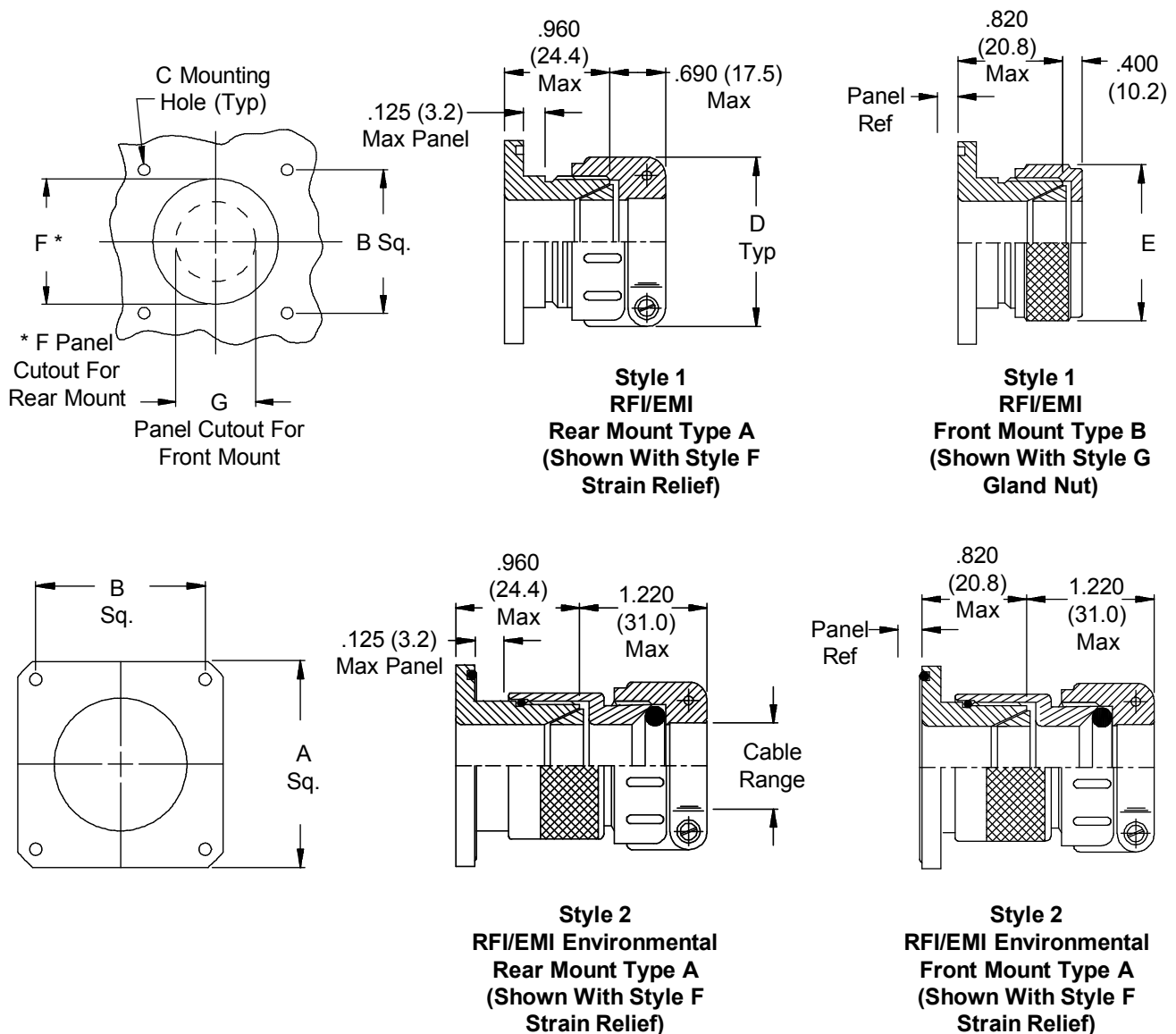
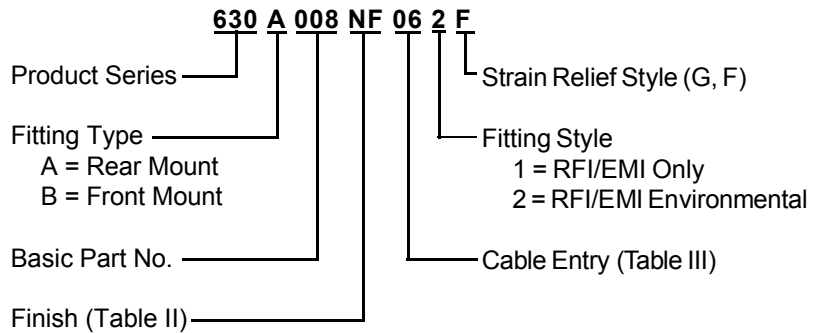


Single Overall
EMI/RFI
Shield Termination



See inside back cover fold-out or page 14 for Table II.

TABLE III: CABLE ENTRY										
Dash No.	Cable Range				A		B		C	
	Min		Max		Max		Dim		+.015 - 0	(+0.4) (-0.0)
01	.125	(3.2)	.250	(6.4)	.885	(22.5)	.593	(15.1)	.120	(3.0)
02	.156	(4.0)	.375	(9.5)	1.104	(28.0)	.812	(20.6)	.120	(3.0)
03	.250	(6.4)	.438	(11.1)	1.197	(30.4)	.906	(23.0)	.120	(3.0)
04	.280	(7.1)	.500	(12.7)	1.291	(32.8)	.968	(24.6)	.120	(3.0)
05	.375	(9.5)	.625	(15.9)	1.385	(35.2)	1.062	(27.0)	.120	(3.0)
06	.500	(12.7)	.750	(19.1)	1.635	(41.5)	1.250	(31.8)	.120	(3.0)
07	.625	(15.9)	.875	(22.2)	1.760	(44.7)	1.375	(34.9)	.147	(3.7)
08	.750	(19.1)	1.000	(25.4)	2.010	(51.1)	1.562	(39.7)	.147	(3.7)
09	.875	(22.2)	1.125	(28.6)	2.260	(57.4)	1.750	(44.5)	.173	(4.4)
10	1.000	(25.4)	1.250	(31.8)	2.510	(63.8)	1.938	(49.2)	.173	(4.4)

TABLE III (Continued)								
Dash No.	D		E		F		G	
	Max		Max		+.015 (+0.4) - 0 (-0.0)		+.031 (+0.8) - 0 (-0.0)	
01	.843	(21.4)	.625	(15.9)	.515	(13.1)	.250	(6.4)
02	.968	(24.6)	.750	(19.1)	.640	(16.3)	.375	(9.5)
03	1.046	(26.6)	.875	(22.2)	.765	(19.4)	.438	(11.1)
04	1.156	(29.4)	1.000	(25.4)	.890	(22.6)	.500	(12.7)
05	1.218	(30.9)	1.125	(28.6)	1.015	(25.8)	.625	(15.9)
06	1.343	(34.1)	1.250	(31.8)	1.140	(29.0)	.750	(19.1)
07	1.468	(37.3)	1.375	(34.9)	1.265	(32.1)	.875	(22.2)
08	1.593	(40.5)	1.500	(38.1)	1.390	(35.3)	1.000	(25.4)
09	1.718	(43.6)	1.625	(41.3)	1.515	(38.5)	1.125	(28.6)
10	1.843	(46.8)	1.750	(44.5)	1.640	(41.7)	1.250	(31.8)

1. Metric dimensions (mm) are indicated in parentheses.
2. Cable range is defined as the accommodations range for the wire bundle or cable. Dimensions shown are not intended for inspection criteria.

X-ON Electronics

Largest Supplier of Electrical and Electronic Components

Click to view similar products for [Circular MIL Spec Tools, Hardware & Accessories](#) *category:*

Click to view products by [Glenair](#) *manufacturer:*

Other Similar products are found below :

[809-199-3](#) [001104](#) [300 04](#) [600-006-16](#) [600-079-06](#) [M10-101982-143](#) [M10-101982-163](#) [M10-101983-183](#) [M10-150912-083](#) [M10-454396-008](#) [602GB18808](#) [M225201-06](#) [M24758-20E21](#) [M2887610-BC](#) [M2887615-CD](#) [M38999/9-19B](#) [62GB-812-10](#) [630A007NF083A](#) [630B007M051A](#) [630BJ003NF032H](#) [637-149NF04B](#) [M39029/29-215](#) [650FS002NF16](#) [M81969-14-02](#) [660-008NF14S7-01](#) [660-009M22H8-03](#) [660-013NF19U6-210](#) [660-015M10S6-17](#) [660-015NF10S5-01](#) [660-015NF14R3.5-01](#) [660-023NF19H6-19](#) [660-024N09S5-104](#) [660-024NF11S12-01](#) [660-024NF11S3-01](#) [660-050XM17F4-01](#) [660-068NF25R6-30G](#) [660-070M23S8-04](#) [660-073MTCH9-20](#) [M83723/60-116RC](#) [M83723/61-18W](#) [M83723/61-218R](#) [M83723/61-224W](#) [667-224NF16](#) [M85049/118S22A](#) [M85049/126S11N](#) [M85049130-07M](#) [M85049140-09BC](#) [M85049/41-16A W/B](#) [687-697NF-1](#) [M85049/75-14-1](#) [M8504980-8](#)