

Product selected: Hi-Spot 50 40W/FL25°

Hi-Spot® 50 mains voltage halogen lamps with E14 cap are completely interchangeable with R50 incandescent reflector lamps. Upgrading to beautiful halogen light could not be quicker or easier.

Applications

- For use in mains voltage SES/E14 cap downlights, spotlights and luminaires
- For precision or decorative lighting in retail, commercial and domestic applications
- Suitable for outdoor use when protected from direct contact with water

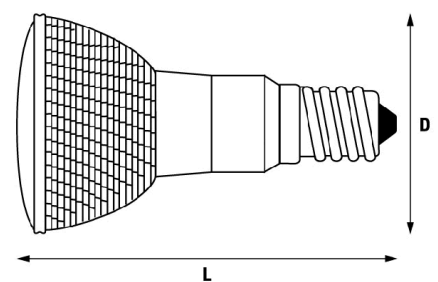
Features

- Halogen light without the need for a transformer
- Unique, patented, computer designed spiral faceted aluminised reflector
- Wattages 25W and 40W
- Beam angle 25°
- Twice the life compared to incandescent lamp
- Can be dimmed using standard dimmer switches
- The use of UV-Stop materials dramatically reduces UV emissions
- Average rated life: 2000 hours

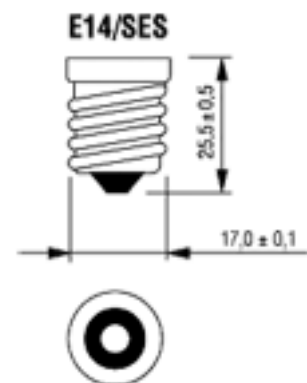
Product Image



Line Drawing



Lamp Cap



Product Attributes

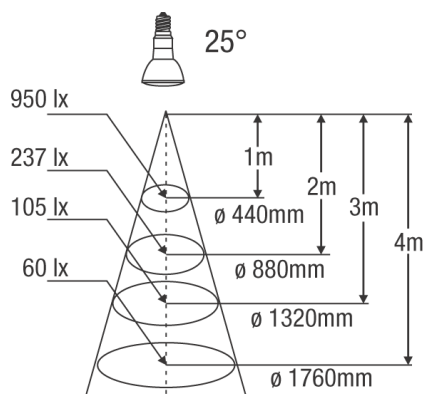
Item description	Hi-Spot 50 40W/FL25°
Ordering Code	0021084
EAN code	5410288210841
Packing Quantity	15
Wattage (W)	40
Voltage (V)	240
Cap	E14
Max. Over. Length (mm)	79
Diameter (mm)	50
Colour Temp (K)	2700
Beam angle(°)	25
Peak intensity (CD)	950
Average life (hours)	2000

UV Stop

UV STOP

Illuminance Diagram

Hi-Spot 50 / 40W



X-ON Electronics

Largest Supplier of Electrical and Electronic Components

Click to view similar products for [sylvania manufacturer](#):

Other Similar products are found below :

[795](#) [1893](#) [757](#) [398](#) [38004-0](#) [30145-0](#) [70207](#) [376](#) [F30T12WWRS](#) [367](#) [60MB](#) [30147](#) [302](#) [1850](#) [388](#) [19](#) [30112](#) [6839](#) [12PC](#) [NE-2D](#) [PR6](#)
[24ESB](#) [30130](#) [NE-51/B1A](#) [370](#) [120PS](#) [327](#) [30151-0](#) [378](#) [90](#) [906](#)