

Keystone Housing Range



Keystone Housing (KH1, KH2, KH4, KH6, KH8, KH12)

This range of housings enable all kinds of connectivity to be accommodated, in a junction box, in a wall socket or in an enclosure. The vast majority of our wide range of voice, data and AV keystone connectors can be used with these housings and indeed, they are perfect for multimedia installations. Versions are available for easy snap-in mounting of one, two, four, six, eight or twelve keystone modules.

Features

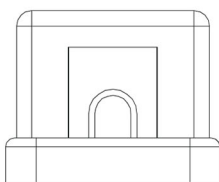
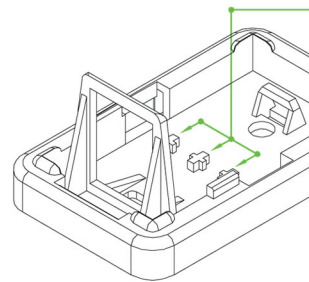
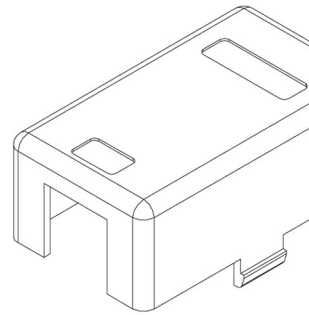
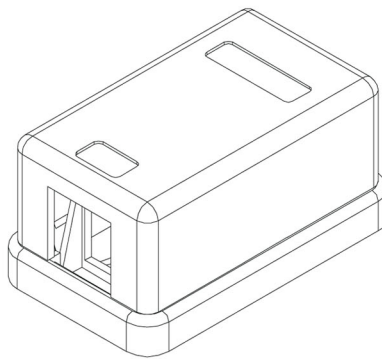
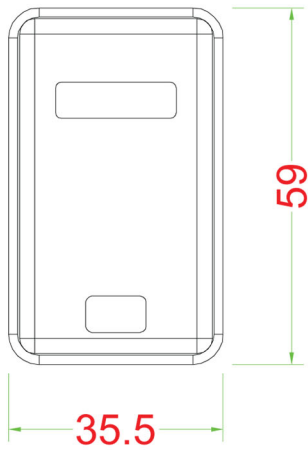
- 1, 2, 4, 6, 8 or 12 keystone ports 19.2 x 14.9mm
- Cable routing 180°
- KH12 can accommodate six keystones with 180° cable routing, or twelve keystones. (Additional insert provided for 180° routing)
- Integrated labeling facility
- Operational temperature: -40°C ~ +70°C

Specifications

- Colour: White
- Housing material: Fireproof ABS UL 94V-0

Product Code	Dimensions (LxWxH)	Weight (Approximately)	Screws	Adhesive pads
KH1	59 x 35.5 x 28.5 mm	14g	-	45 x 20 mm
KH2	59.0 x 61.5 x 28.5 mm	22g	-	45 x 40 mm
KH4	84.0 x 114.0 x 29.5 mm	78g	2 screws	45 x 40 mm (2)
KH6	84 x 166 x 30 mm	120g	2 screws	45 x 40 mm (2)
KH8	94.0 x 218.0 x 30.5 mm	180g	2 screws	45 x 40 mm (2)
KH12	171 x 111.6 x 38 mm	158g	6 screws	-


ROHS Compliant



Materials:

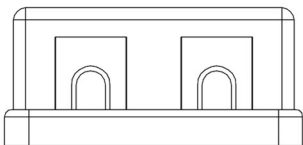
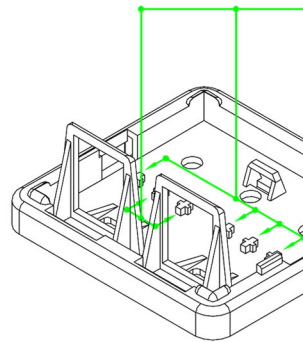
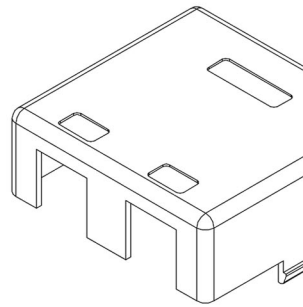
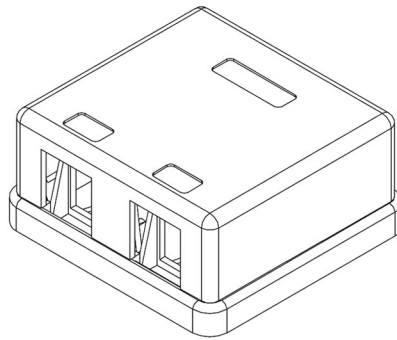
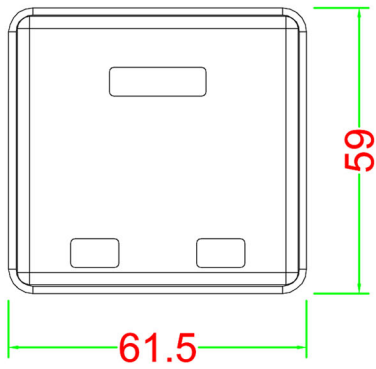
Body : Fireproof ABS UL-9

Operation Temperature : -

DRAW NO:	
 APPR	
UNIT: m/m	DESIGN
SCALE:	Ref. NO:

TUK Ltd


ROHS Compliant



Materials:

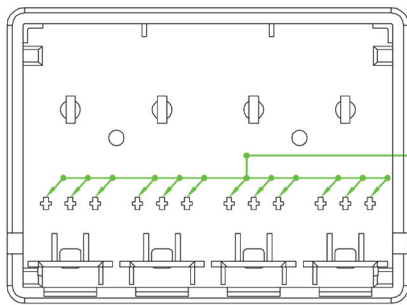
Body : Fireproof ABS UL-9

Operation Temperature : -

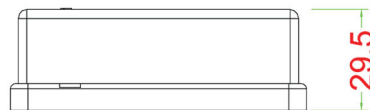
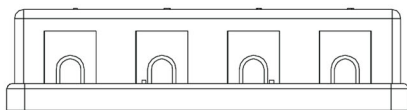
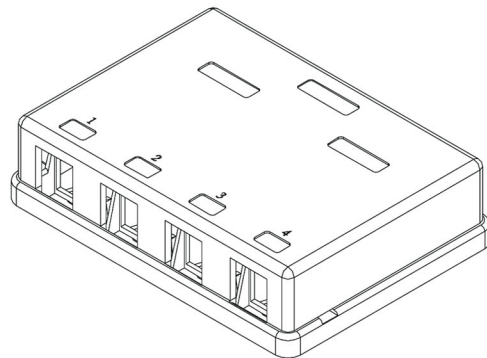
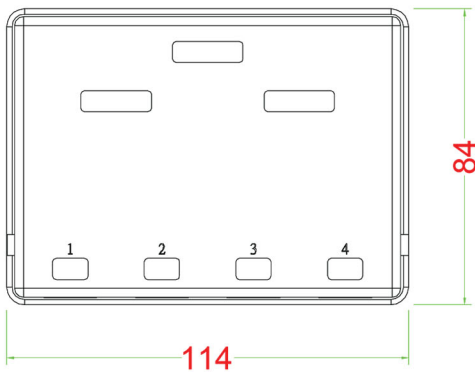
DRAW NO:	
 APPR	
UNIT: m/m	DESIGN
SCALE:	Ref. NO:

TUK Ltd

ROHS Compliant



[Pruneable Design]
Prune the pillar height
to suit keystone base
if necessary



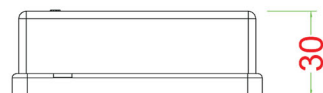
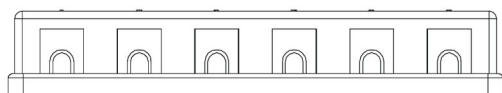
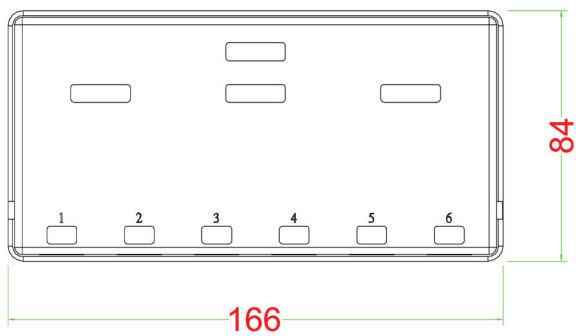
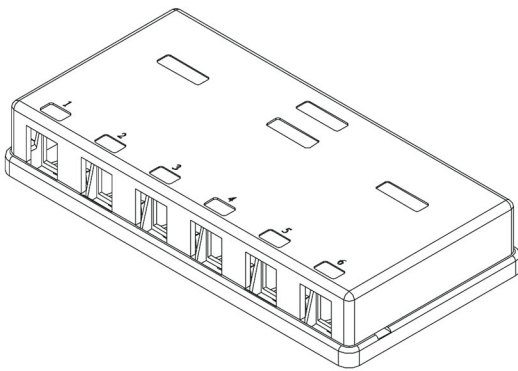
Materials:

Body : Fireproof ABS UL-94V-0
Operation Temperature : -

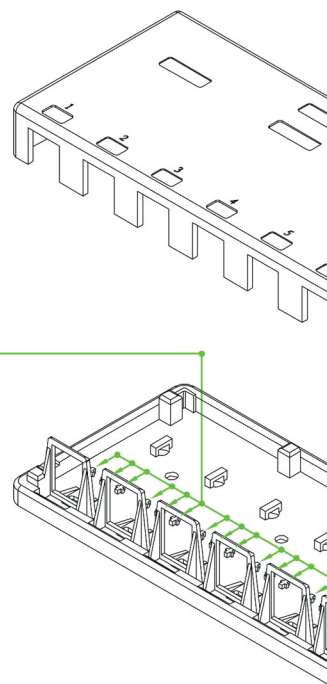
DRAW NO:	
	APPR
UNIT: m/m	DESIGN
SCALE:	Ref. NO:

TUK Ltd

ROHS Compliant



[Pruneable Design]
Prune the pillar height
to suit keystone base
if necessary



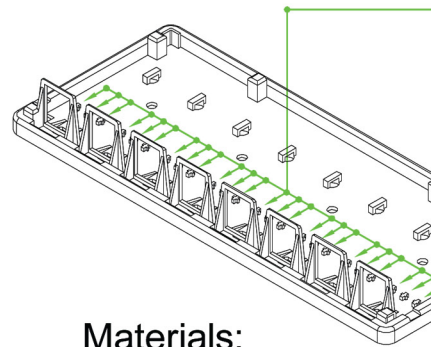
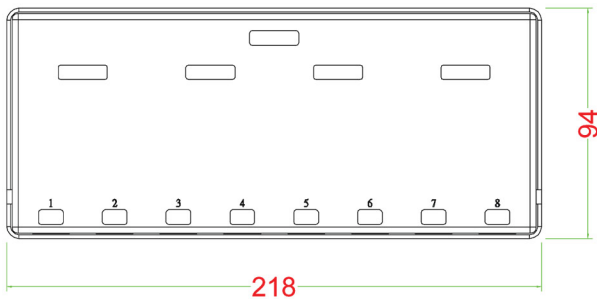
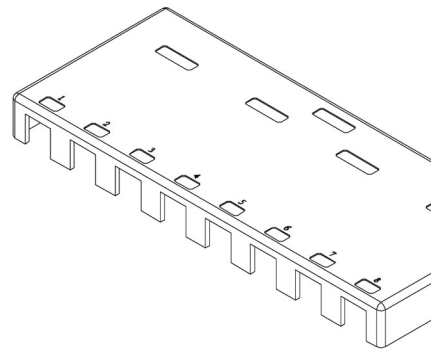
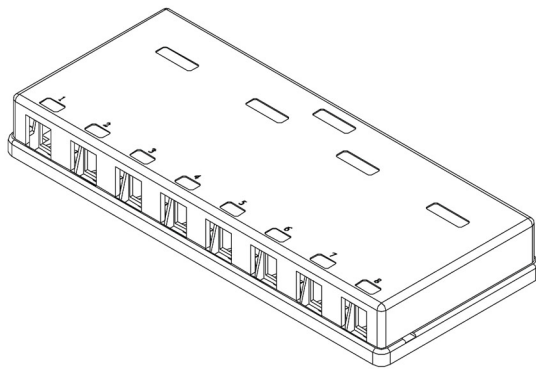
Materials:

Body : Fireproof ABS UL-9
Operation Temperature : -4

DRAW NO:	
	APPR
UNIT: m/m	DESIGN
SCALE:	Ref. NO:

TUK Ltd

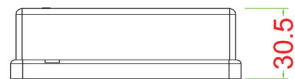
ROHS Compliant



Materials:

Body : Fireproof ABS UL-94

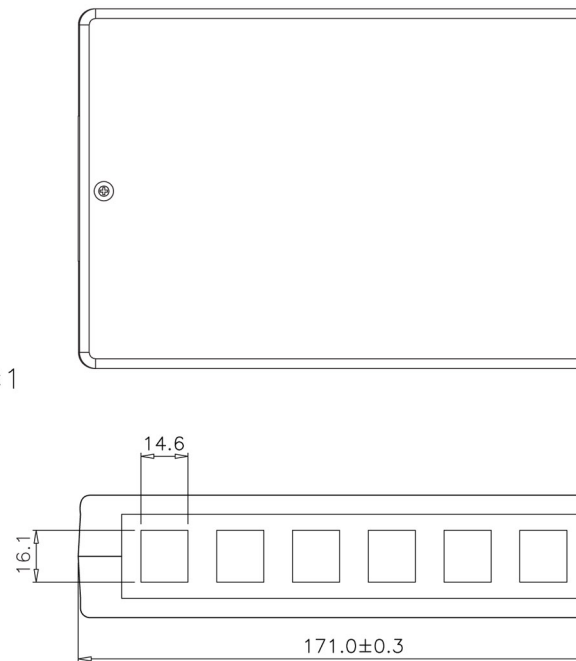
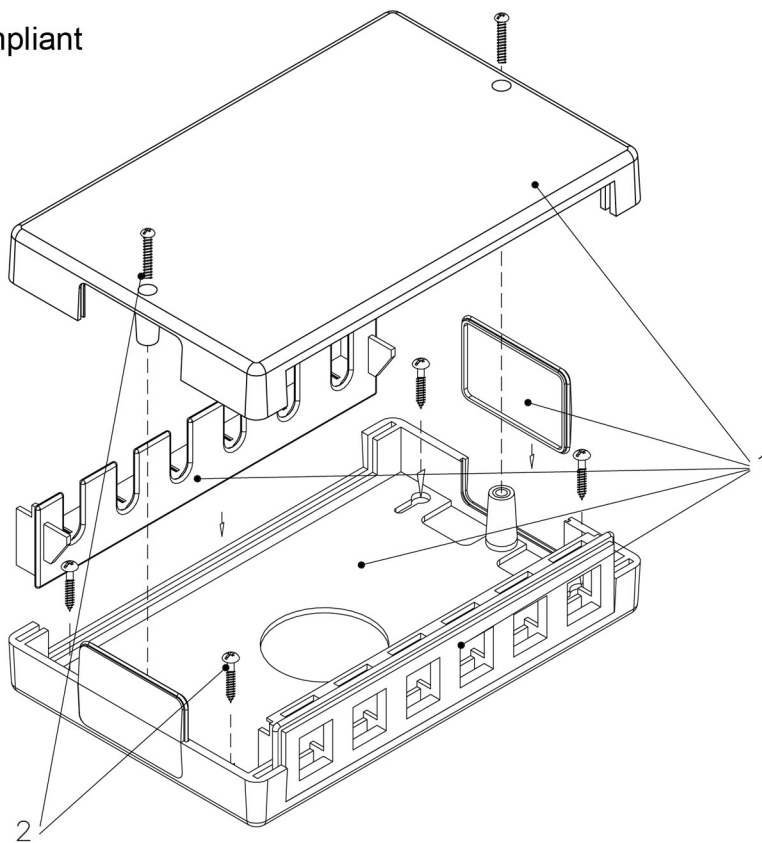
Operation Temperature : -40



DRAW NO:		
	APPR	
UNIT: m/m	DESIGN	
SCALE:	Ref. NO:	

TUK Ltd

ROHS Compliant



Specification :

1. Box Housing : ABS, UL 94V-0.
2. Screw : Screw cover and base : M3*17/5.5mm
Screw box onto wall : M3.5*19.0/7.5mm

GENERAL TOLERANCE OF DIMENSIONS X.XXX ±0.005 X.XX ±0.05 X.X ±0.1	DRAWING			
	CHECK			
	APPROVAL			
	SCALE	1/2 (A4)	UNIT	mm
		DRAWING NO.		
		DRAWING CLASSIFICATION		

X-ON Electronics

Largest Supplier of Electrical and Electronic Components

Click to view similar products for [tuk](#) manufacturer:

Other Similar products are found below :

[SP1YW](#) [SP0.5BL](#) [FJKPT](#) [SKMCBKDPM](#) [PXCAT6S8XL2](#) [OT45BK](#) [SKFYW](#) [TSY](#) [PXSPDY6S#100](#) [PSPDY5#100](#) [PSDL-6#20](#) [WJOL](#)
[F78BKB](#) [FACK2BKDPM](#) [FJP2](#) [SKFBKDPM](#) [SPDL5BK](#) [SP10BK](#) [SKH1LJ](#) [PXSPDY5#10](#) [PSDL-5#100](#) [WJSG](#) [FJ445](#) [SP2GN](#) [SP10GN](#)
[SLJBKDPM](#) [SILS](#) [SP5GN](#) [SGPZ10BK](#) [MGOP6](#) [PXSPDY6#10](#) [TRCSPDY3](#) [SKH4](#) [SGKSSU-45WH](#) [SP10BL](#) [SGPZ3BK](#) [ADF](#) [CPR2](#)
[SEKEI-45WH](#) [SGKH2](#) [TRCSPDYBP](#) [SP10YW](#) [KPJ2BK](#) [KH2](#) [KOCSM](#) [SGACK2SPM](#) [KPH1BK](#) [PXSPDY6#100](#) [KOCSMDPM](#) [SP1BK](#)