

QC25 Series

2.0x2.5 4-Pad SMD Quartz Crystal Unit



Features

- Low in height, suitable for thin equipment
- Ceramic package and metal lid assures high reliability
- Tight tolerance and stability available

Applications

- High density applications
- Modem, communication and test equipment
- PCMCIA, wireless applications
- Automotive applications

General Specifications

Frequency Range	16.000 to 50.000MHz (Fundamental)
Frequency Tolerance at 25°C	±10 to ±30ppm (±30ppm standard)
Frequency Stability over Temperature Range	See Stability vs. Temperature Table
Storage Temperature	-55 to +125°C
Aging per Year	±3ppm max.
Load Capacitance C_L	7 to 32pF and Series Resonance
Shunt Capacitance C_0	5.0pF max.
Equivalent Series Resistance (ESR)	See ESR Table
Drive Level	100µW typ.
Insulation Resistance (MΩ)	500 at 100Vdc ±15Vdc

Equivalent Series Resistance (ESR)

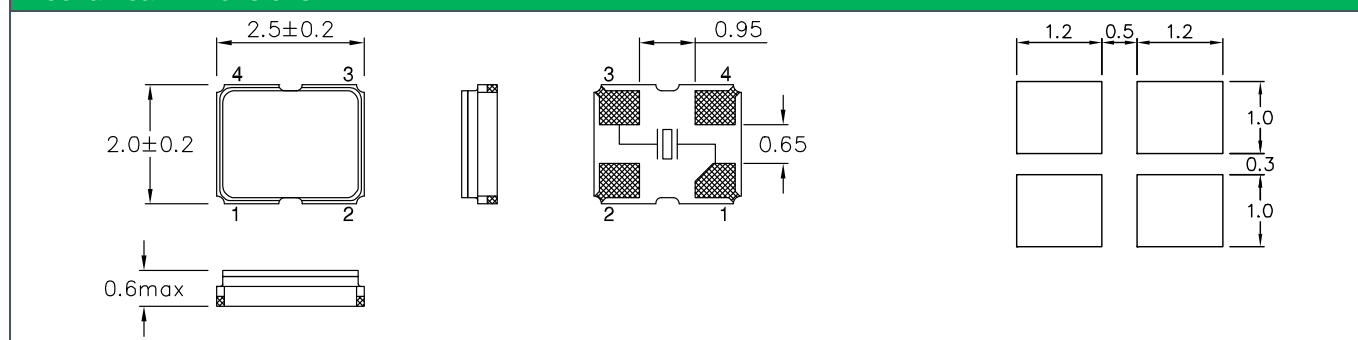
Frequency Range - MHz	Ω max.	Mode of Operation
16.000 to 29.999	150	Fundamental
30.000 to 50.000	100	

Frequency Stability vs. Temperature

Operating Temperature	±10ppm	±20ppm	±30ppm	±50ppm	±100ppm
-20 to +70°C	○	○	○	○	○
-40 to +85°C	-	○	●	○	○
-40 to +105°C	-	-	-	○	○
-40 to +125°C	-	-	-	-	○

● standard ○ available

Mechanical Dimensions



Part Numbering Guide

Qantek Code	Package	Nominal Frequency (in MHz)	Vibration Mode	Load Capacitance	Operating Temperature Range	Frequency Tolerance	Frequency Stability	Automotive Indicator	Packaging
Q = Qantek	C25 = 2.0x2.5 4-Pad SMD	7 digits including the decimal point (f.ie. 12.0000)	F = AT-Fund	S = Series 08 = 8pF 12 = 12pF 18 = 18pF 20 = 20pF etc.	A = -20 to +70°C B = -40 to +85°C C = -40 to +105°C D = -40 to +125°C	1 = ±10ppm 2 = ±20ppm 3 = ±30ppm 5 = ±50ppm 0 = ±100ppm	1 = ±10ppm 2 = ±20ppm 3 = ±30ppm 5 = ±50ppm 0 = ±100ppm	A = AEC-Q200	M = 250pcs Tape&Reel R = 1000pcs Tape&Reel R3 = 3000pcs Tape&Reel

Example: QC2516.0000F12B33R

bold letters = recommended standard specification



QANTEK Technology Corporation

Phone: +1 877-227-0440 (tollfree)

Fax: +1 877-227-0440 (tollfree)

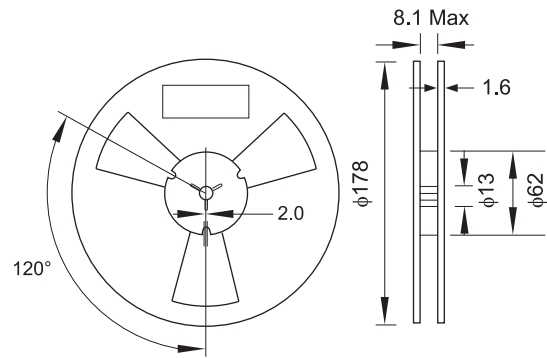
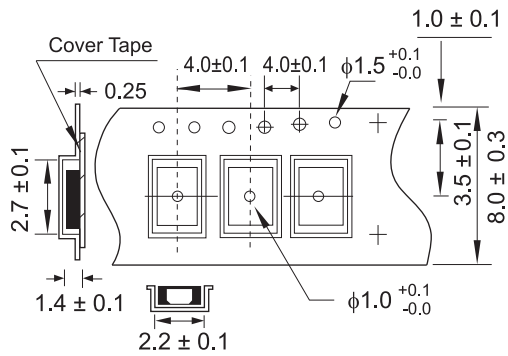
www.qantek.com

info@qantek.com

QC25 Series

2.0x2.5 4-Pad SMD Quartz Crystal Unit

Tape and Reel Dimensions



Marking Code Guide

Contains frequency, Qantek manufacturing code, production code (month and year) and load capacitance.

Month Codes

January	A	July	G
February	B	August	H
March	C	September	I
April	D	October	J
May	E	November	K
June	F	December	L

Year Codes

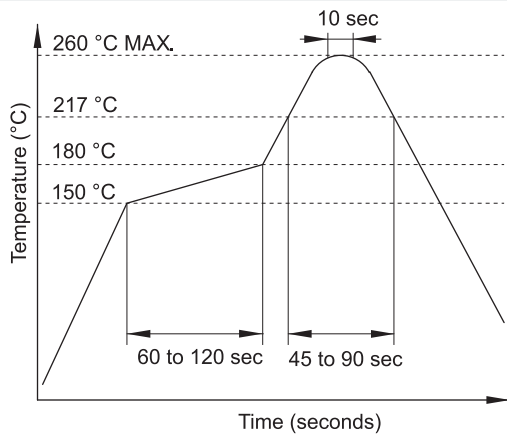
2010	0	2011	1	2012	2
2013	3	2014	4	2015	5

Load Capacitance Code in pF

pF	PN Code	pF	PN Code
12	A	20	F
18	B	22	G
8	C	30	H
10	D	32	I
16	E	S	S

Example: First Line: 12.000 (Frequency) Second Line: QA1A (Qantek - January - 2011 - 12 pF)

Solder Reflow Profile



Environmental Specifications

Mechanical Shock	MIL-STD-202, Method 213, C
Vibration	MIL-STD-202, Method 201 & 204
Thermal Cycle	MIL-STD, Method 1010, B
Gross Leak	MIL-STD-202, Method 112
Fine Leak	MIL-STD-202, Method 112

All specifications are subject to change without notice.



QANTEK Technology Corporation
 Phone: +1 877-227-0440 (tollfree)
 Fax: +1 877-227-0440 (tollfree)

www.qantek.com
 info@qantek.com

X-ON Electronics

Largest Supplier of Electrical and Electronic Components

Click to view similar products for [qantek](#) manufacturer:

Other Similar products are found below :

[QCL9.83040F18B23B](#) [QX14T50B10.00000B50TT](#) [QX14T50B48.00000B50TT](#) [QX8T50B18.43200B50TT](#) [QCS22.1184F18B23M](#)
[QX14T50B18.43200B50TT](#) [QX8T50B1.843200B50TT](#) [QX14T50B7.372800B50TT](#) [QC5CB8.00000F18B23R](#) [QCL27.0000F18B23B](#)
[QC5A10.0000F12B12M](#) [QCL14.31818F18B23B](#) [QX14T50B4.000000B50TT](#) [QX14T50B4.096000B50TT](#) [QX14T50B24.00000B50TT](#)
[QX8T50B25.00000B50TT](#) [QX14T50B25.00000B50TT](#) [QX233A32.00000B15M](#) [QC5A12.0000F12B12M](#) [QCP914.31818F18B35R](#)
[QCS24.5760F18B23M](#) [QCS10.0000F18B23M](#) [QX8T50B8.000000B50TT](#) [QC3CA29.4912F18B23M](#) [QX8T50B20.00000B50TT](#)
[QCS3.68640F18B23M](#) [QX8T50B4.915200B50TT](#) [QX318A24.00000B15M](#) [QCS4.00000F18B23M](#) [QC6A8.00000F18B23M](#)
[QC5CA8.00000F12B23M](#) [QCS32.0000F18B23M](#) [QC1627.1200F08B12M](#) [QC5CA8.00000F18B23M](#) [QC7A32.0000F12B12M](#)
[QC7A19.6608F18B12M](#) [QC3224.0000F12B12M](#) [QCS4.91520F18B23M](#) [QC5A18.4320F12B12M](#) [QC5CA25.0000F12B23M](#)
[QCL24.5760F18B23B](#) [QX733A16.00000B15M](#) [QCS6.00000F18B23M](#) [QX733A32.00000B15M](#) [QC3CA12.2880F12B23M](#)
[QCS12.2880F18B23M](#) [QX733A25.00000B15M](#) [QC7A11.0592F12B12M](#) [QC7A6.00000F12B12M](#) [QC5A27.0000F18B12M](#)