

Turn Counting Dial

Model 2640 Series



Features:

- 7/8" diameter
- Analog



MODEL	2646	2647	2641
Counting Capacity, Maximum Turns	20		15
For Shaft Diameter	1/4"		1/8"
For Bushing Diameter	3/8"		1/4"
Depth: Maximum, From Face of Panel	0.900"		0.82"
Shaft Extension:	Maximum, From Face of Panel		0.781"
	Minimum, From Face of Panel		0.628"
Bushing Extension: Maximum, From Face of Panel	0.300"		0.270"
Locking Mechanism	Positive Action with Detent		Positive Action
Weight, Nominal	0.60 oz.		
Number of Set Screws	1	2	1
Numeral Height	0.050"		
Knob Material	Black Plastic		
Dial Finish	White Numerals on Black Matte		
Housing Finish	Satin Chrome		
Operating Temperature Range	-55°C to +71°C		

	2646S	2647S
Counting Capacity, Maximum Turns	15	
For Shaft Diameter	1/4"	
For Bushing Diameter	3/8"	
Depth: Maximum, From Face of Panel	0.94"	
Shaft Extension:	Maximum, From Face of Panel	
	Minimum, From Face of Panel	
Bushing Extension: Maximum, From Face of Panel	0.300"	
Locking Mechanism	Positive Action	
Weight, Nominal	0.60 oz.	
Number of Set Screws	1	2
Numeral Height	0.050"	
Knob Material	Black Plastic	
Dial Finish	White Numerals on Black Matte	
Housing Finish	Satin Chrome	
Operating Temperature Range	-55°C to +71°C	

General Note

TT Electronics reserves the right to make changes in product specification without notice or liability. All information is subject to TT Electronics' own data and is considered accurate at time of going to print.

TT Electronics | BI Technologies
 4200 Bonita Place, Fullerton, CA USA 92835-1053 | Ph: +1 714-447-2300
 www.ttelectronics.com | sensors@ttelectronics.com

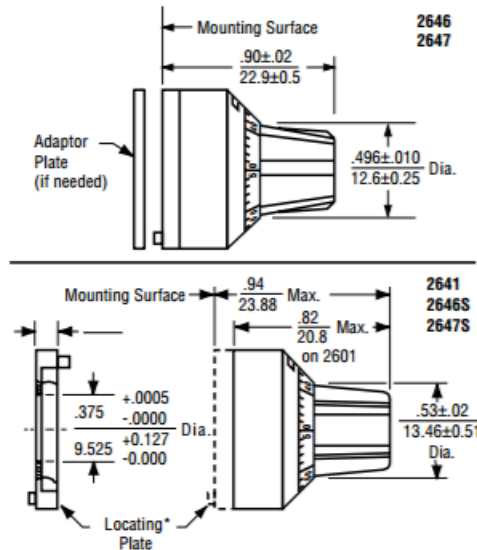
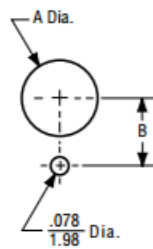
Turn Counting Dial

Model 2640 Series

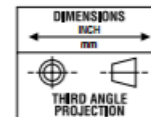
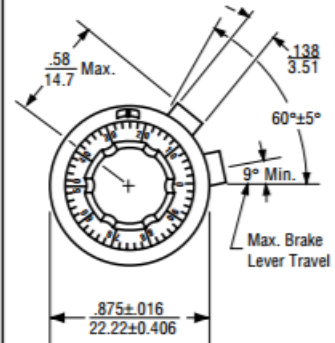


**Nominal
Panel Hole Dimensions**

Model	Dim.A	Dim.B
2601	$\frac{.281}{7.14}$	$\frac{.281}{7.14}$
2606,2607, 2606S&2607S	$\frac{.406}{10.3}$	$\frac{.375}{9.53}$



*Model 2641 supplied with locating washer instead of locating plate.



General Note

TT Electronics reserves the right to make changes in product specification without notice or liability. All information is subject to TT Electronics' own data and is considered accurate at time of going to print.

TT Electronics | BI Technologies
4200 Bonita Place, Fullerton, CA USA 92835-1053 | Ph: +1 714-447-2300
www.ttelectronics.com | sensors@ttelectronics.com

X-ON Electronics

Largest Supplier of Electrical and Electronic Components

Click to view similar products for [Knobs & Dials](#) category:

Click to view products by [Wiha](#) manufacturer:

Other Similar products are found below :

[61-9028.20](#) [61-9028.9](#) [8529](#) [8573](#) [9-1437622-4](#) [11K5015-EMNB](#) [11K5019-ECNB](#) [11K5020-KLAB](#) [11K5028-JMNG](#) [11K5048-KMNB](#)
[11K5014-EMNB](#) [11K5015-EMNG](#) [11K5019-EMNB](#) [11K5029-KMNG](#) [P400S-08-D6-N](#) [K6510](#) [KNSL500B1/8](#) [AL811BA18](#) [420031B18](#)
[5006](#) [KB700BA1/4](#) [KS700B14](#) [411](#) [4-1437621-3](#) [420065A14AL](#) [5149A](#) [52-928.20](#) [52-928.60](#) [52-928.9](#) [8517](#) [8546](#) [8570](#) [8572](#) [H-516-3A](#)
[P861H-0X-S6](#) [8544](#) [11K5014-JMNG](#) [11K5014-KMNG](#) [11K5014-ECNG](#) [5700E](#) [KA500B18](#) [KFS600B14](#) [KN900AB14](#) [KFS500B14](#)
[KNS501B18](#) [PKD60B1018](#) [PK1100B18](#) [PKES140B14](#) [PKES150B14](#) [PKJT70B14](#)