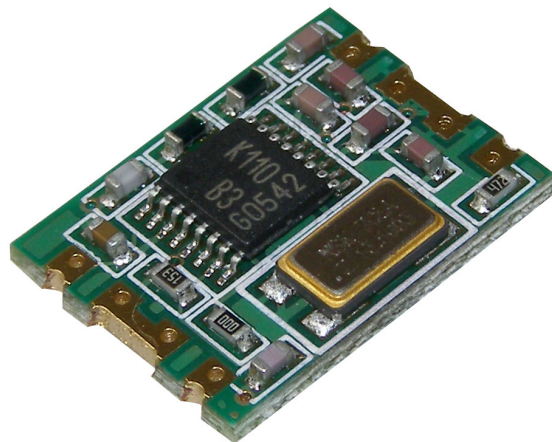


### Features

- Complete RF Transmitter
- Transmit Range Up To 100m\*
- CMOS / TTL Input
- No Adjustable Components
- Very Stable Operating Frequency
- Low Current Consumption (Typ 15mA)
- LV TTL Operating Voltage (2.2-3.5v)
- FSK Modulation
- Efficient Power Amplifier



### Applications

- Wireless Security Systems
- Car Alarms
- Remote Controls
- Remote Sensing
- Data Capture
- Automation systems

### Description

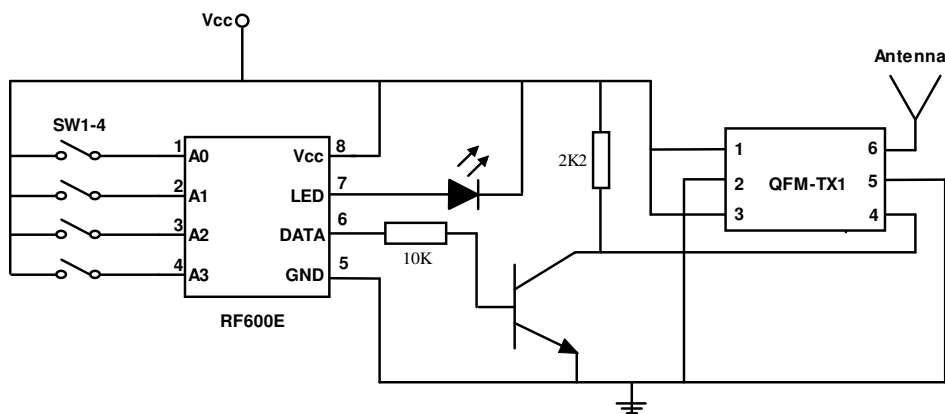
The Quasar UK FM hybrid transmitter module provides a complete RF transmitter which can be used to transmit data at up to 4.8Kbps from any standard CMOS/TTL source.

The module is very simple to operate and offers low current consumption (typ. 15mA). Data can be supplied directly from a microprocessor or encoding device, thus keeping the component count down and ensuring a low hardware cost.

The modules are compatible with the QuasarUK QFM-RX1-433 FM receiver operating at 434.2MHz (within the 433 band) to provide a complete wireless solution.

### Typical Application

For further information on this circuit please refer to the RF Solutions Ltd datasheet, DS600.

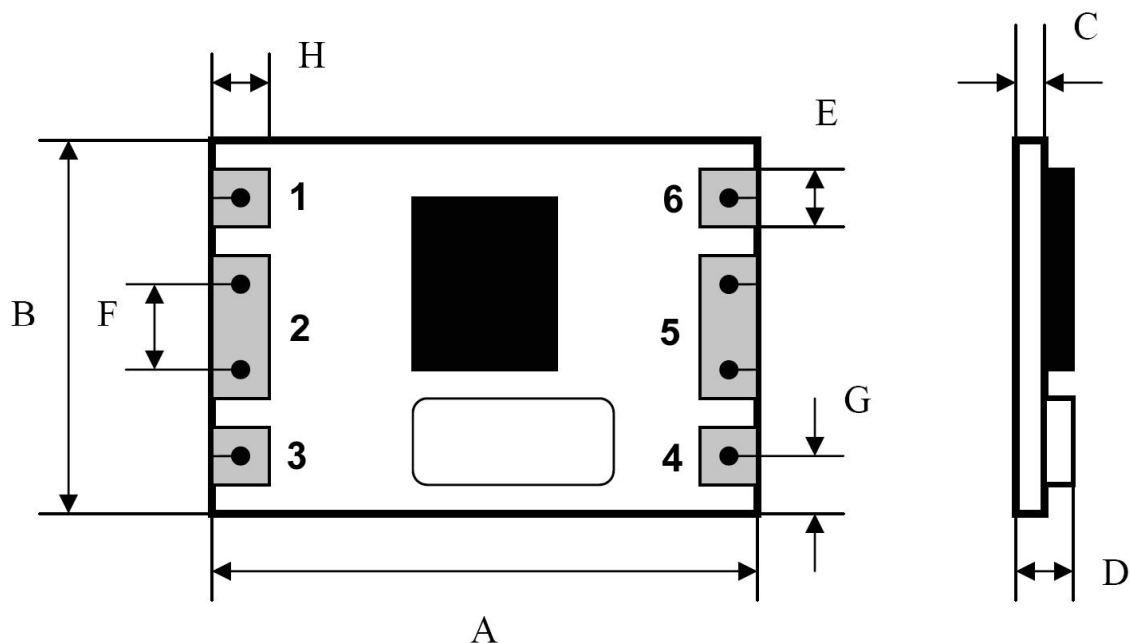


### Part Numbering

Part Number	Description
QFM-TX1-433	FM Transmitter Module, 434.2MHz

\*Range stated is for modules used in direct line of sight, adverse conditions may reduce the maximum range.

### Technical Specifications



### Dimensions

Pin	Measurements (mm)
A	16.802
B	12.501
C	2.0
D	2.5

Pin	Measurements (mm)
E	1.351
F	2.54
G	2.4
H	2.6

### Pin Descriptions

Pin	Name	Description
1	Vcc	Supply Voltage
2, 5	GND	Ground
3	Enable	Supply Voltage
4	Data	Data Input
6	ANT	External Antenna

### Electrical Characteristics

Ambient temp = 25°C unless otherwise stated.

Characteristic	Min.	Typ.	Max.	Dimensions
Supply Voltage	2.2	3	3.5	Vdc
Supply Current (Vcc=3V IN=1kHz)		15		mA
Standby Current		0.5		uA
Working Frequency		434.2		MHz
Output Power		10		dBm
Turn on Time (from Standby)		1		ms
Data Rate	200		4,800	Hz
Operating Temperature	-20		+85	°C



*QuasarUK is an internet based company. All Sales / support and interface is via our website at*

**[www.quasaruk.co.uk](http://www.quasaruk.co.uk)**

***for Sales:***

**Sales : sales@quasaruk.co.uk**

***for Support:***

**Support : sales@quasaruk.co.uk**

**Support Tel: 0907 639 0000**

Calls charged at £0.60 per minute from a BT landline other networks may vary. Callers must be 18 or over and have the bill payers permission. Service provided by StealthNET Ltd :08444150774

## **X-ON Electronics**

Largest Supplier of Electrical and Electronic Components

*Click to view similar products for [quasar](#) manufacturer:*

Other Similar products are found below :

[QAM-TX3](#)