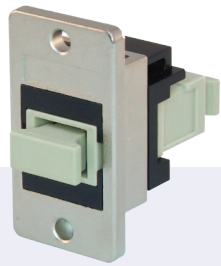


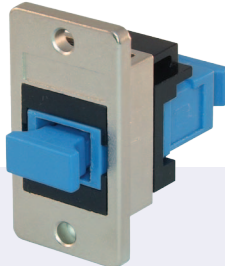
KCUABpm



KCK66pm



KOCMMpm



KOCSMpm



KOLMMDXpm



KOLSMDXpm



KOTSMpm



KOTMMpm



SKmcbkpm



FACK2pm



SACK2whpm



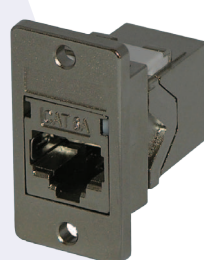
FACK2Spm



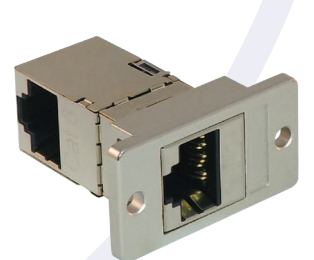
SACK3Spm



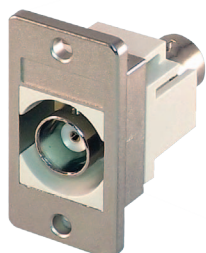
SGKSsupm



SGACK2S



SACK90Spm



KBNC50pm



KBNC75pm



KSPbkpm



KSPrdpm



SKFwhpm



KSH66pm



KCFpm



KGB1pm

Code	Description
KCUABpm	USB A female to B female adaptor, reversible
KCUAA2pm	USB2.0 A female to A female coupler
KCUAAXpm	USB2.0 A female to A female coupler, reversible
KCHDpm	HDMI female to female coupler
KCK66pm	RJ12 6P6C female to female coupler
KOCMMpm	Fibre female to female coupler SC to SC, multi mode simplex
KOCSMpm	Fibre female to female coupler SC to SC, single mode simplex
KOLMMDXpm	Fibre female to female coupler LC to LC, multi mode duplex
KOLSMDXpm	Fibre female to female coupler LC to LC, single mode duplex
KOTSMPm	Fibre female to female coupler ST to ST, single mode simplex, yellow dustcover
KOTMMPm	Fibre female to female coupler ST to ST, multi mode simplex, black dustcover
SKmcbkpm	Category 6 IDC socket, LSA-Plus and 110 type termination, unshielded
FACK2pm	Category 5e female to female coupler, unshielded
SACK2whpm	Category 6 female to female coupler, unshielded
FACK2Spm	Category 5e female to female coupler, shielded
SACK3Spm	Category 6 female to female coupler, shielded
SGKSsupm	Category 6A tool-less socket, shielded
SGACK2Spm	Category 6A female to female coupler, shielded (Cat 6 coupler, shielded also available)
SACK90Spm	Cat 6 female to female coupler, w/rear outlet 90° to front outlet, shielded or unshielded
KBNC50pm	BNC 50 ohm female to female coupler
KBNC75pm	BNC true 75 ohm female to female coupler (capable of data rates up to 3 Gb/s or higher)
KSPbkpm	Speaker module in black with black elastic identifier
KSPrdpm	Speaker module in black with red elastic identifier
SKFwhpm	Category 6 tool-less IDC socket, unshielded (Category 5e also available)
KSH66pm	RJ12 6p6c socket
KCFpm	F connector, female to female, keystone coupler in black.
KGB1pm	UK telephone socket - PSTN Master (Slave/Secondary version also available)

More Information:

TUK's Panel Mount Connectors Range offers a wide variety of audio, video and data connectors which can easily be mounted into panels of virtually any thickness.

Die cast adaptor is robust and ensures easy mounting (into standard cut-out) and reliable earthing.

All connectors are made to relevant standards. Category 6 and 6A connectors are made, for example, to FCC68 and to TIA/EIA 568B and have an insertion life of >750 mating cycles. All products are CE compliant (i.e including ROHS and REACH)

Specifications:

- Kit includes coupler/connector, panel mount adaptor and 2 x round head nickel-plated steel self-tapping screws.

- For specifications of couplers and sockets, see separate web pages as follows:

USB A female to B female coupler: http://www.tuk.co.uk/tuk_live/product_details.php?category_id=&pld=182

USB2.0 A female to A female: http://www.tuk.co.uk/tuk_live/product_details.php?category_id=&pld=224

USB2.0 A female to A female, reversible: http://www.tuk.co.uk/tuk_live/product_details.php?category_id=&pld=247

HDMI female to female coupler: http://www.tuk.co.uk/tuk_live/product_details.php?category_id=&pld=185

RJ12 female to female coupler: http://www.tuk.co.uk/tuk_live/product_details.php?category_id=&pld=170

Fibre female to female couplers: http://www.tuk.co.uk/tuk_live/product_details.php?category_id=&pld=209

Cat 6 IDC UTP jack: http://www.tuk.co.uk/tuk_live/product_details.php?category_id=&pld=192

Cat 5e UTP and FTP female to female coupler: http://www.tuk.co.uk/tuk_live/product_details.php?category_id=&pld=246

Cat 6 UTP and FTP female to female coupler: http://www.tuk.co.uk/tuk_live/product_details.php?category_id=&pld=243

Cat 6A FTP jack: http://www.tuk.co.uk/tuk_live/product_details.php?category_id=&pld=113

Cat 6A FTP female to female coupler: http://www.tuk.co.uk/tuk_live/product_details.php?category_id=&pld=150

90° Cat 6 panel mount female to female coupler: http://www.tuk.co.uk/tuk_live/product_details.php?category_id=&pld=133

BNC 50 ohm female to female coupler: http://www.tuk.co.uk/tuk_live/product_details.php?category_id=&pld=218

BNC true 75 ohm female to female coupler: http://www.tuk.co.uk/tuk_live/product_details.php?category_id=&pld=221

Speaker module: http://www.tuk.co.uk/tuk_live/product_details.php?category_id=&pld=201

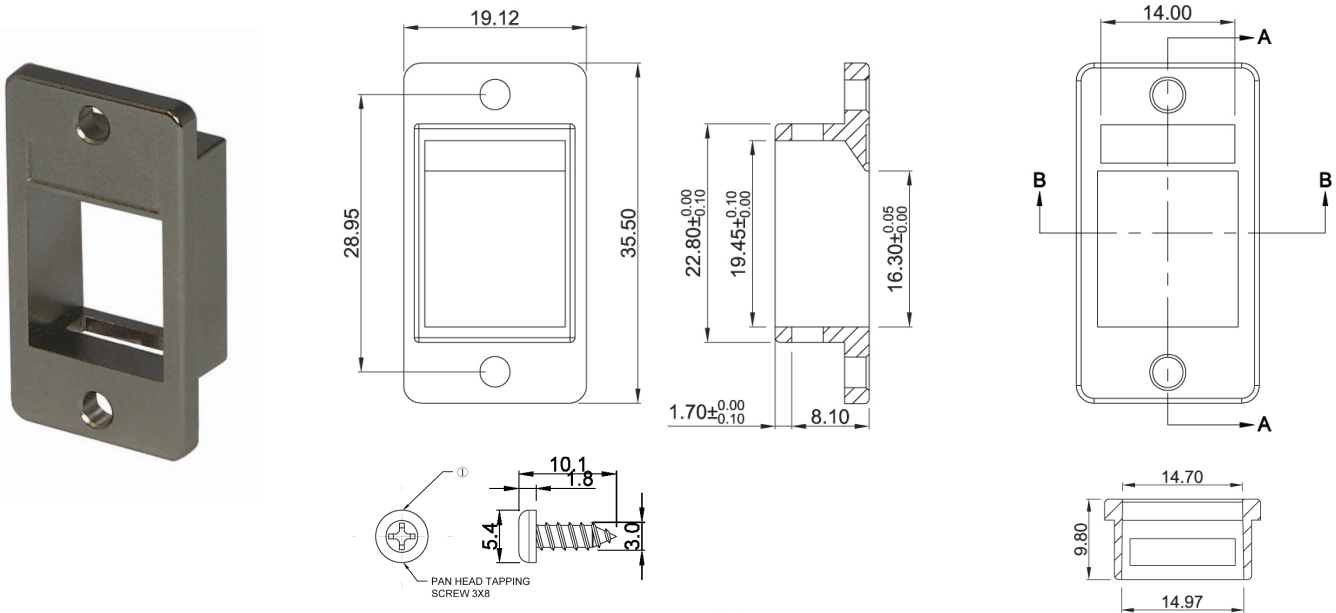
Cat 5e and Cat6 tool-less UTP socket: http://www.tuk.co.uk/tuk_live/product_details.php?category_id=&pld=173

RJ12 6p6c socket: http://www.tuk.co.uk/tuk_live/product_details.php?category_id=&pld=264

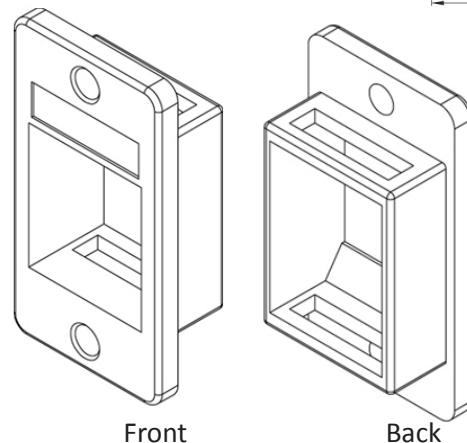
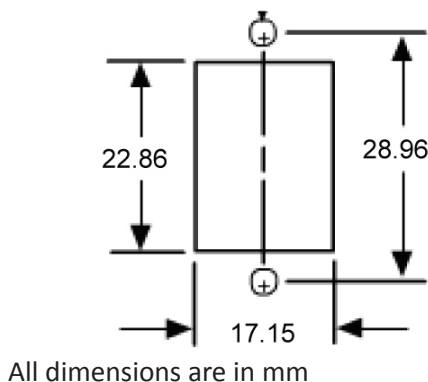
F connector female to female coupler: http://www.tuk.co.uk/tuk_live/product_details.php?category_id=&pld=255

UK telephone socket: http://www.tuk.co.uk/tuk_live/product_details.php?category_id=&pld=248

Panel Mount Adaptor (KAPma)



Requirements for cut-out:



X-ON Electronics

Largest Supplier of Electrical and Electronic Components

Click to view similar products for [tuk](#) manufacturer:

Other Similar products are found below :

[SP1YW](#) [SP0.5BL](#) [FJKPT](#) [SKMCBKDPM](#) [PXCAT6S8XL2](#) [OT45BK](#) [SKFYW](#) [TSY](#) [PXSPDY6S#100](#) [PSPDY5#100](#) [PSDL-6#20](#) [WJOL](#)
[F78BKB](#) [FACK2BKDPM](#) [FJP2](#) [SKFBKDPM](#) [SPDL5BK](#) [SP10BK](#) [SKH1LJ](#) [PXSPDY5#10](#) [PSDL-5#100](#) [WJSG](#) [FJ445](#) [SP2GN](#) [SP10GN](#)
[SLJBKDPM](#) [SILS](#) [SP5GN](#) [SGPZ10BK](#) [MGOP6](#) [PXSPDY6#10](#) [TRCSPDY3](#) [SKH4](#) [SGKSSU-45WH](#) [SP10BL](#) [SGPZ3BK](#) [ADF](#) [CPR2](#)
[SEKEI-45WH](#) [SGKH2](#) [TRCSPDYBP](#) [SP10YW](#) [KPJ2BK](#) [KH2](#) [KOCSM](#) [SGACK2SPM](#) [KPH1BK](#) [PXSPDY6#100](#) [KOCSMDPM](#) [SP1BK](#)