

USB 2.0 A female to A female keystone coupler



USB2 A to A keystone coupler (KCUAA2bk)

This USB2 keystone coupler can be used as a link between e. g. a USB cables. With its standardised dimensions it can be used for easy snap-in mounting in a keystone patch panel, face plate or surface-mount box.

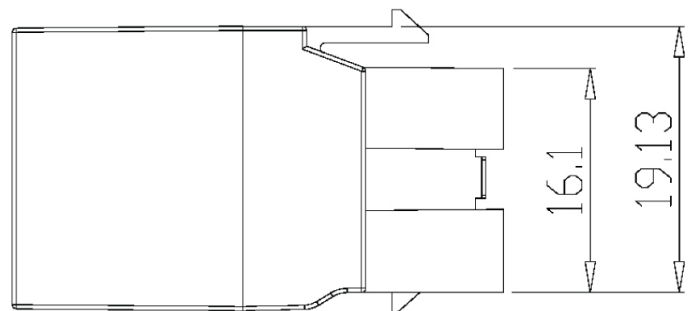
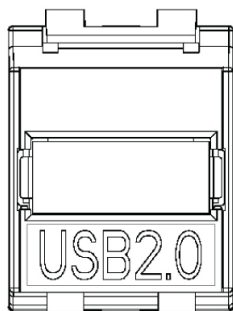
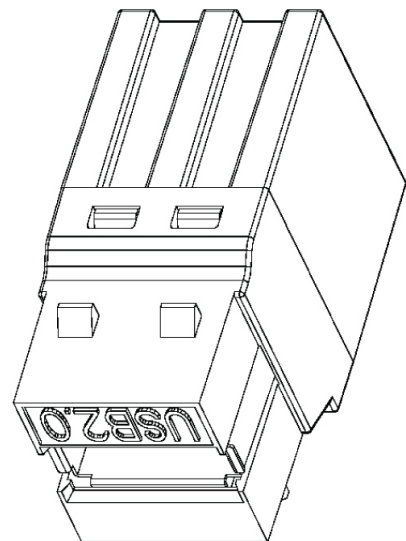
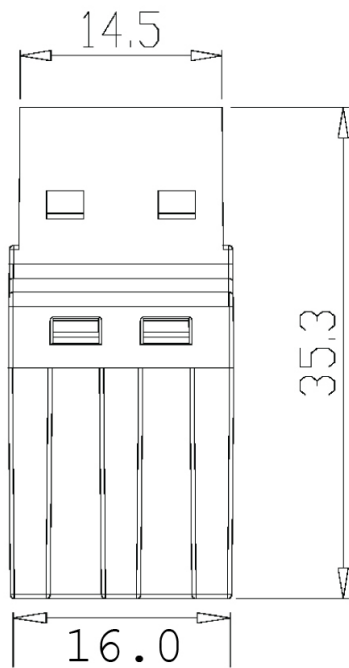
Features

- USB 2.0 keystone coupler (A type female connectors on the front and back)
- Backwards compatible with USB1.1 type
- Designed to fit industry standard keystone patch panels
- Available as part of our innovative new panel mount coupler (KCUAA2bkpm), designed for easy mounting on panels of virtually any thickness
- Also now offered as part of our D UNIVERSAL range (KCUAA2Dpm) designed to fit XLR cut-outs
- White version also available to order

Specifications:

- Dimensions: approx 35.5x19.5x16mm
- Weight: approx 8g
- Housing: ABS UL94V-0
- Colour: black
- Connection: USB2.0 A F/F
- USB power connected device 500 mA at 4.5V
- Wired 1:1 throughout (N.B. standard USB cables are not wired 1:1)

ROHS Compliant



TUK Ltd, Unit 4, Wimbledon Stadium Business Centre, Riverside Road, London, SW17 0BA

Tel: 020 8946 6688 Fax: 020 8879 7410 Email: sales@tuk.co.uk Website: www.tuk.co.uk

X-ON Electronics

Largest Supplier of Electrical and Electronic Components

Click to view similar products for [tuk](#) manufacturer:

Other Similar products are found below :

[SP1YW](#) [SP0.5BL](#) [FJKPT](#) [SKMCBKDPM](#) [PXCAT6S8XL2](#) [OT45BK](#) [SKFYW](#) [TSY](#) [PXSPDY6S#100](#) [PSPDY5#100](#) [PSDL-6#20](#) [WJOL](#)
[F78BKB](#) [FACK2BKDPM](#) [FJP2](#) [SKFBKDPM](#) [SPDL5BK](#) [SP10BK](#) [SKH1LJ](#) [PXSPDY5#10](#) [PSDL-5#100](#) [WJSG](#) [FJ445](#) [SP2GN](#) [SP10GN](#)
[SLJBKDPM](#) [SILS](#) [SP5GN](#) [SGPZ10BK](#) [MGOP6](#) [PXSPDY6#10](#) [TRCSPDY3](#) [SKH4](#) [SGKSSU-45WH](#) [SP10BL](#) [SGPZ3BK](#) [ADF](#) [CPR2](#)
[SEKEI-45WH](#) [SGKH2](#) [TRCSPDYBP](#) [SP10YW](#) [KPJ2BK](#) [KH2](#) [KOCSM](#) [SGACK2SPM](#) [KPH1BK](#) [PXSPDY6#100](#) [KOCSMDPM](#) [SP1BK](#)