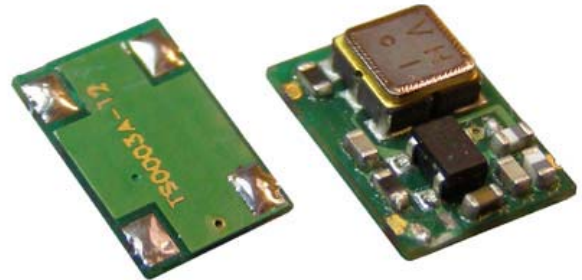


### Features

- Complete RF Transmitter
- SAW Resonator
- Transmit Range Up To 50m
- CMOS / TTL Input
- No Adjustable Components
- Stable Operating Frequency
- Wide Operating Voltage (3-12v)
- ASK Modulation
- Available as 315 or 433 MHz



### Applications

- Wireless Security Systems
- Garage Door controller
- Remote Gate Controls
- Remote Sensing
- Data Capture
- Sensor Reporting

### Description

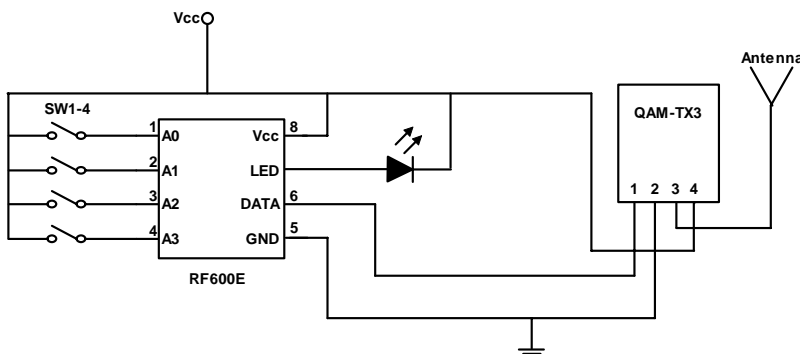
The Quasar UK AM hybrid transmitter module provides a complete RF transmitter which can be used to transmit data at up to 3KHz from any standard CMOS/TTL source.

The module is very simple to operate and offers a wide operating voltage range, the RF Power output increases in line with the voltage level applied to the module. Data can be supplied directly from a microprocessor or encoding device, thus keeping the component count down and ensuring a low hardware cost.

The modules are compatible with the Quasar UK Ltd. range of AM receivers to provide a complete solution.

### Typical Application

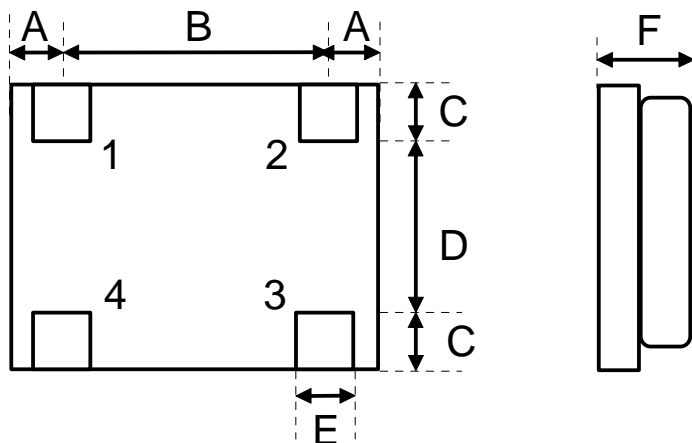
For further information on this circuit please refer to the RF Solutions datasheet DS600.



### Part Numbers

| Part Number | Description                   |
|-------------|-------------------------------|
| QAM-TX3-433 | AM Transmitter Module, 433MHz |

### Technical Specifications



Please Note

1. Components on reverse
2. Dimensions in mm
3. Tolerance of +/- 0.15

### Dimensions

| Pin | Measurements (mm) |
|-----|-------------------|
| A   | 1                 |
| B   | 5.08              |
| C   | 1.0               |
| D   | 3.2               |
| E   | 1.2               |
| F   | 1.8               |

### Pin Descriptions

| Pin | Name | Description      |
|-----|------|------------------|
| 1   | IN   | Data input       |
| 2   | GND  | Ground           |
| 3   | ANT  | External Antenna |
| 4   | Vcc  | Supply Voltage   |

### Electrical Characteristics

Ambient temp = 25°C unless otherwise stated.

| Characteristic                | Min. | Typ.   | Max.  | Dimensions |
|-------------------------------|------|--------|-------|------------|
| Supply Voltage                | 3    |        | 12    | Vdc        |
| Supply Current (Vcc=12V)      |      |        | 12.5  | mA         |
| Output Power (Vcc=3V IN=1kHz) |      | 10     |       | dBm        |
| Working Frequency             |      | 433.92 |       | MHz        |
| Frequency Accuracy            |      | +/- 75 |       | KHz        |
| Data Rate                     |      | 1      | 3,000 | Hz         |
| Operating Temperature         | -20  |        | +85   | °C         |



## **X-ON Electronics**

Largest Supplier of Electrical and Electronic Components

*Click to view similar products for [quasar](#) manufacturer:*

Other Similar products are found below :

[QAM-TX3](#)