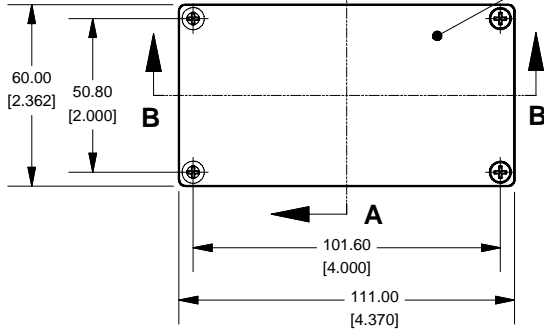
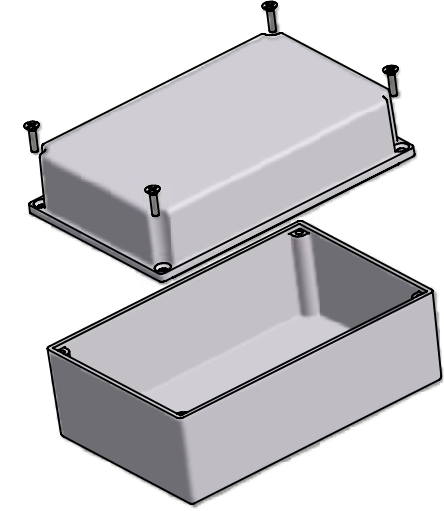
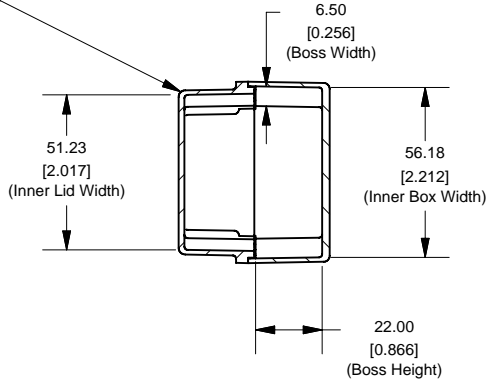


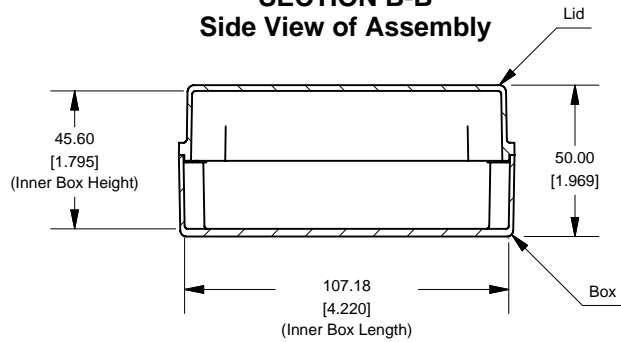
Top View of Assembly



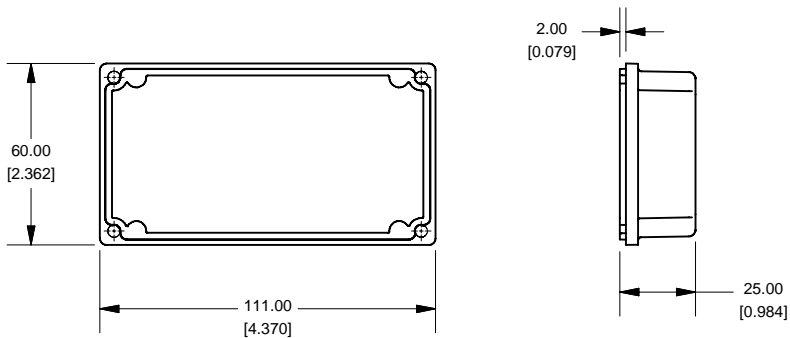
SECTION A-A End View of Assembly



SECTION B-B Side View of Assembly



Lid



Enclosures can be Factory Modified (Milling, Drilling, Printing etc.)
Solid models of this enclosure available in STEP or IGES.
Contact Factory jelkins@hammond-electronics.co.uk

| NOTE | |
|---|--|
| Purchased assembly includes Deep Lid, Box and 4 cover screws. | |

| Eddystone 27134PDLA | |
|---------------------|--|
| PART INFORMATION | |
| Part Number: | 27134PDLA |
| Material: | LM2 / LM24 Diecast Aluminum Alloy |
| Cover Screw Type: | M3.5 x 10mm Countersunk (Screw Torque 75 oz f.in or 55 cN. m) |

**HAMMOND
MANUFACTURING™**

27134PDLA

www.hammondmfg.com

X-ON Electronics

Largest Supplier of Electrical and Electronic Components

Click to view similar products for [eddystone](#) manufacturer:

Other Similar products are found below :

[70011](#) [11130PSLA](#) [26357PSLA](#) [10758PSLA](#) [26908PSLA](#) [29830PSLA](#) [27134PSLA](#)