

# Datasheet: K84-603.RG - Red/Green Halo Illuminated Pushbutton



## Description:

Panel mount halo illuminated bezel pushbutton for 22.5mm mounting. One normally open contact, momentary action. Switch sealed to IP67 from the front and fitted with raised profile natural anodised flat aluminium lens. High brightness bi colour red/green 24VDC LED illumination. Connection with flying lead 300mm long. Single pushbutton supplied.

## Specifications:

### Switching system

Short-travel switching system with 2 independent contact points and tactile operation. Guarantees reliable switching even of very light loads. Fitted with one normally-open contact.

### Material

Actuator housing Makrolon, lens anodised aluminium  
Switching element thermoplastic polyester (PET, PBT),  
as per UL 94 V0 and Polyacetale (POM), as per UL 94 HB  
Contact material silver alloy gold-plated

### Mechanical characteristics

Mounting hole  $\varnothing$  22.5mm  
Tightening torque Fixing nut max. 80Ncm  
Flat ribbon cable 0.5mm<sup>2</sup>  
Actuating force 4.0N  $\pm$ 0.2N (measured at the lens)  
Actuating travel ~0.5mm  
Resistance to heat 350°C, 10 s (when using a soldering iron)  
of soldering as per EN IEC 60068-2-20  
Mechanical lifetime 1 million cycles of operations

### Electrical characteristics

Illumination bi-colour red/green single-chip LED, 24V  
Switching element 1 million cycles of operation 24VDC,  
100mA at 240 $\Omega$   
Voltage 50mVAC/DC...42VAC/DC  
Current 10 $\mu$ A...100mA, Maximum power 2W  
Electrostatic breakdown As per IEC 61000-4-2, m0 in plastic front panel  
Value: Plastic case  $\geq$ 15kV

### Environmental conditions

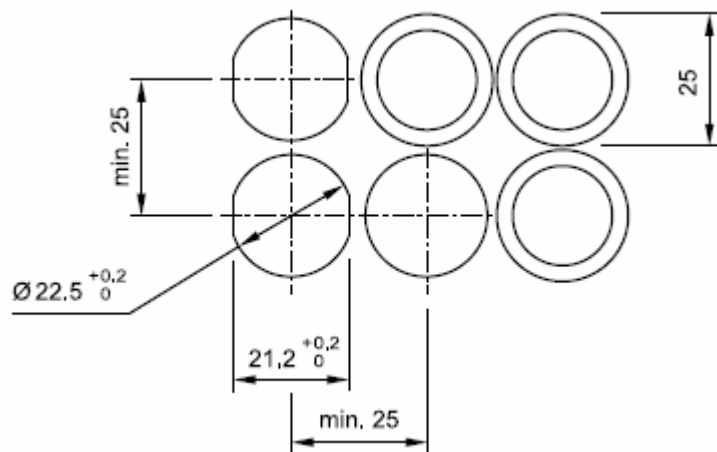
Storage temperature -40°C...+85°C  
Operating temperature -25°C...+70°C  
Protection degree front side IP67 per EN IEC 60529  
Certifications CE conformity declaration / RoHS

### EAO Switch components in complete switch

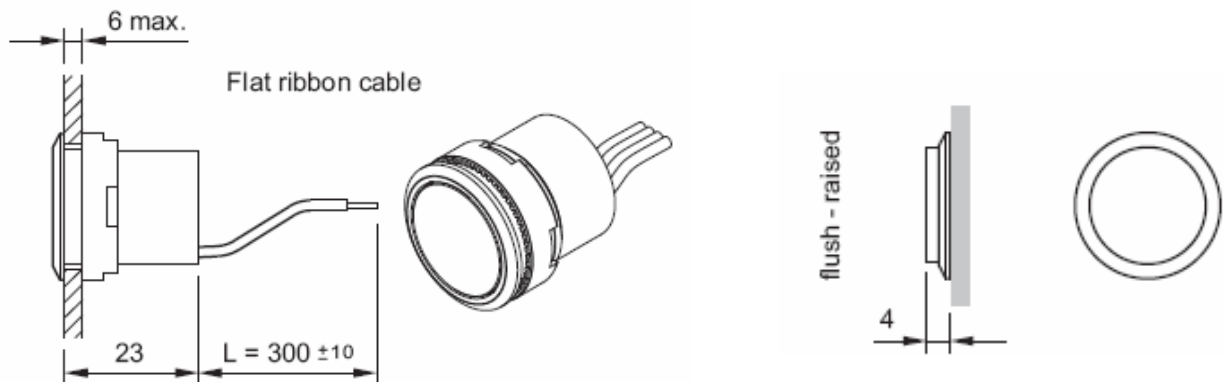
Illuminated pushbutton actuator translucent bezel IP67 sealed: 84-1091.7  
Natural aluminium lens with raised profile flat top: 84-7205.800A  
Switching element 1NO with red/green LED, 24VDC: 84-8515.8640

EAO reserves the right to alter specifications without further notice

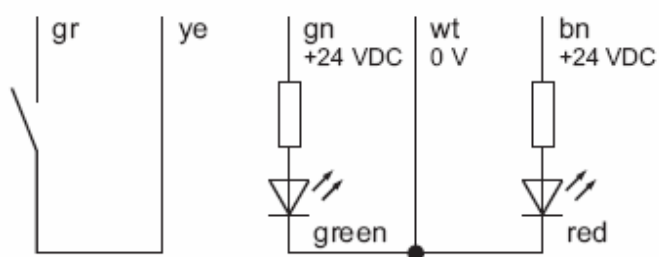
## Mounting Details



## Mechanical Drawing



## Circuit Drawing



## Useful Links:

Full Data on EAO Series 84 Switch Range

[http://www.eao.com/global/en/Catalogues/PDF\\_Data\\_with\\_drawings/EAO\\_Recommended\\_Series/EAO-Series-84-Full-Data.pdf](http://www.eao.com/global/en/Catalogues/PDF_Data_with_drawings/EAO_Recommended_Series/EAO-Series-84-Full-Data.pdf)

## X-ON Electronics

Largest Supplier of Electrical and Electronic Components

*Click to view similar products for [eao manufacturer](#):*

Other Similar products are found below :

[01-951.5](#) [21-931.0](#) [01-261.022](#) [02-072.001](#) [61-0029.0](#) [61-1300.0](#) [61-221.50D](#) [61-2601.0/D](#) [61-2701.0/D](#) [61-8640.11](#) [61-8720.17](#) [704.012.0](#)  
[704.062.218](#) [704.113.0](#) [704.117.0](#) [704.121.0](#) [704.411.018I](#) [704-6012](#) [704.901.1](#) [704.902.3](#) [704-9051](#) [704.950.0](#) [EUS-704.000.7](#) [82-](#)  
[4151.2144](#) [82-4153.1000](#) [84-8515.8640](#) [92-343.400](#) [95-900.005](#) [14-136.025K](#) [14-810.910](#) [200-4000-00](#) [200-4001-00](#) [22-212.011](#) [95-](#)  
[900.009](#) [22-225.011](#) [22-901.2](#) [31-426.036](#) [45-1231.21N6.000.101](#) [45-2134.4F10.000](#) [45-280X.1C90.003](#) [45-2C37.1920.000](#) [45-](#)  
[2T00.10E0.000](#) [51-401.036K](#) [51-901.4](#) [31-953.3](#) [31-955.4](#) [41-461.036](#) [41-908.5/5](#) [45-1131.3150.000.101](#) [45-2131.2150.000](#)