



**Features/Benefits**

- **Excellent tactile feel**
- **Wide variety of LED's, travel and actuation forces**
- **Designed for low-level switching**
- **Detector version available**
- **RoHS compliant**

**Typical Applications**

- **Automotive**
- **Industrial electronics**
- **Computers and network equipment**

**Construction**

FUNCTION: momentary action  
 CONTACT ARRANGEMENT: 1 make contact = SPST, N.O.  
 DISTANCE BETWEEN BUTTON CENTERS:  
 min. 7,5 and 11,8 (0.295 and 0.465)  
 TERMINALS: Snap-in pins, tinned  
 MOUNTING: Soldered by PC pins, locating pins  
 PC board thickness: 1,5 (0.0591)

**Mechanical**

TOTAL TRAVEL/SWITCHING TRAVEL: 1,5/0,9 (0.059/0.035)  
 PROTECTION CLASS: IP 40 according to DIN/IEC 529

1) Voltage rise: 300 V/s  
 2) According to DIN 41640; IEC 512-2  
 3) Higher values upon request

**Packaging**

THT: bulk in boxes of 500 pieces  
 SMT: bulk in boxes of 500 pieces  
 reels of 500 pieces (with LED) or 750 pieces (without LED)

**Electrical**

SWITCHING POWER MIN./MAX.: 0.02 mW / 3 W DC  
 SWITCHING VOLTAGE MIN./MAX.: 2 V DC / 30 V DC  
 SWITCHING CURRENT MIN./MAX.: 10 mA /100 mA DC  
 DIELECTRIC STRENGTH (50 Hz)<sup>1) 2)</sup>: ≥ 300 V  
 OPERATING LIFE: ≥ 2 x 10<sup>5</sup> operations<sup>3)</sup>  
 ≥1 X 10<sup>5</sup> operations for SMT version  
 CONTACT RESISTANCE: Initial ≤ 50 mΩ  
 INSULATION RESISTANCE: ≥ 10<sup>10</sup> Ω  
 BOUNCE TIME: ≤ 1 ms  
 Operating speed 100 mm/s (3.94/s)

**Environmental**

OPERATING TEMPERATURE: -40°C to 85°C.  
 STORAGE TEMPERATURE: -40°C to 95°C.

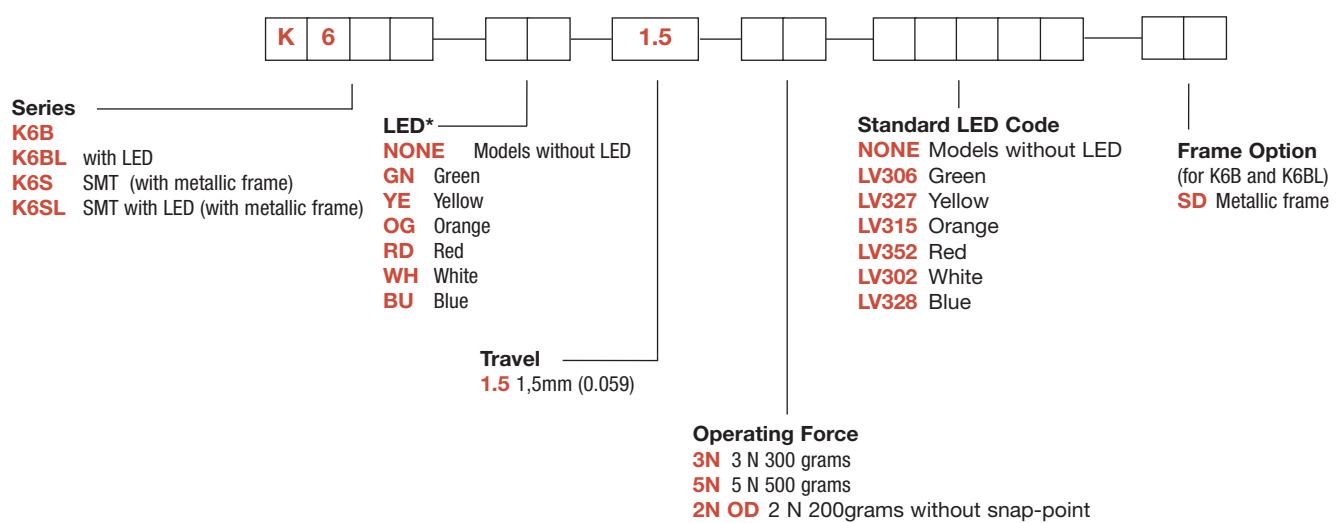
**Process**

SOLDERABILITY:  
 THT: wave soldering, compatible with lead free soldering profile  
 Hand soldering, 350°C for 3s  
 SMT: not compatible with lead free reflow profile  
 245°C for 5s

**How To Order**

Our easy build-a-switch concept allows you to mix and match options to create the switch you need. To order, select desired option from each category and place it in the appropriate box.

Note: Some of the configurations may not be available or could require some development.



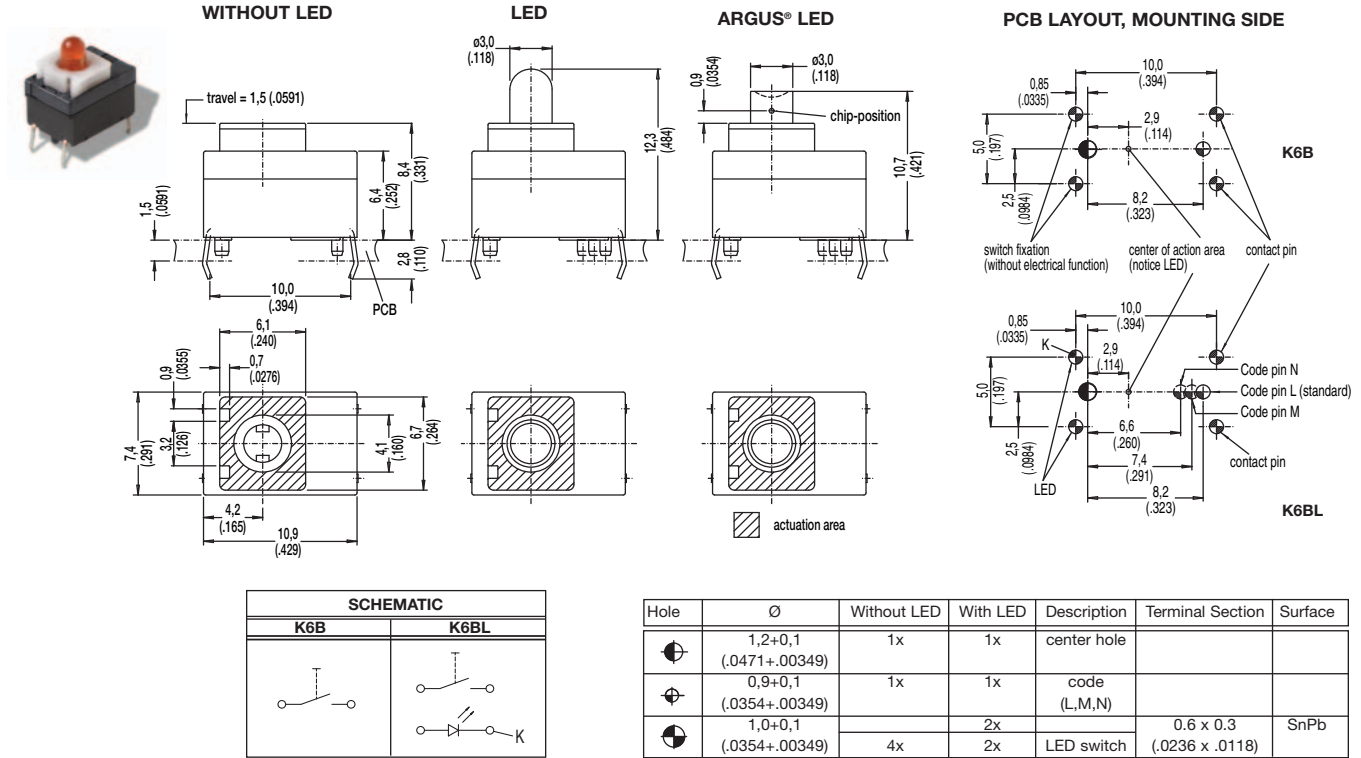
\* Additional LED colors available by request.

# K6 Miniature Key Switches

SERIES

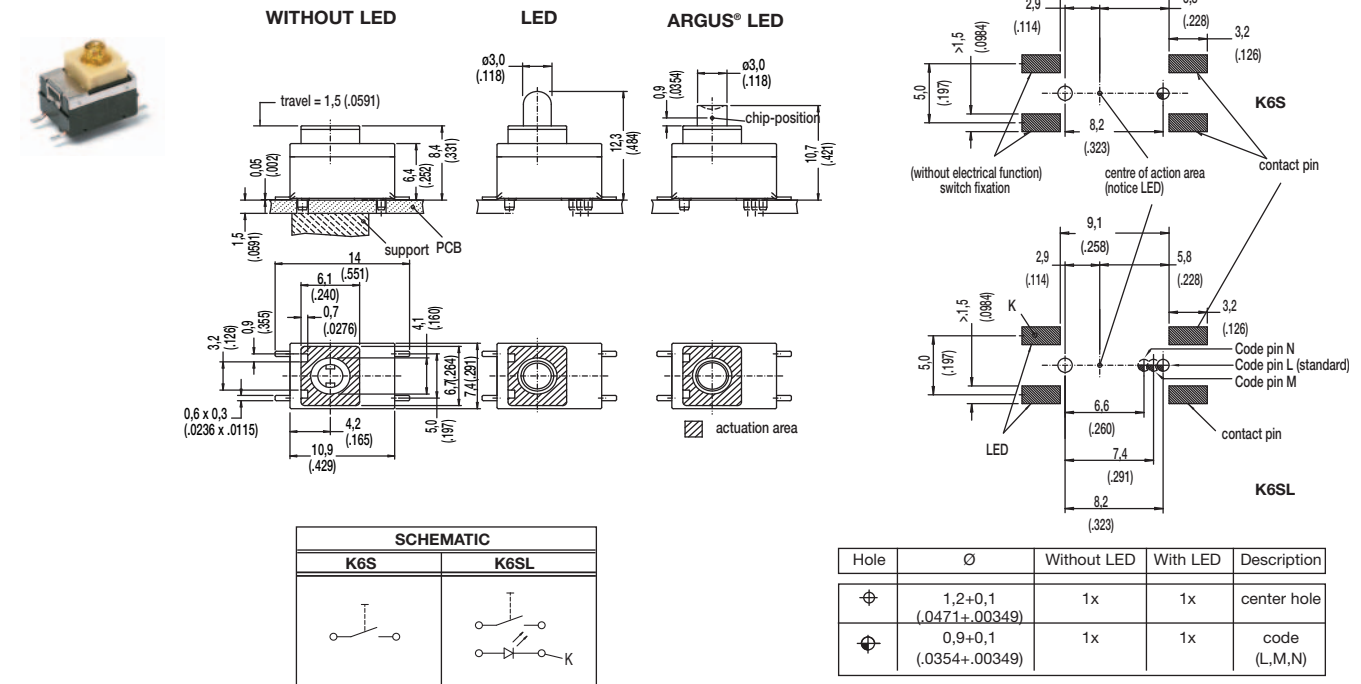
**K6B** WITHOUT LED

**K6BL** WITH LED



**K6S** WITHOUT LED

**K6SL** WITH LED



Dimensions are shown: mm  
Specifications and dimensions subject to change

www.ck-components.com

## LED

OPTION CODE	COLOR
<b>NONE</b>	Models without LED
<b>GN</b>	Green
<b>YE</b>	Yellow
<b>OG</b>	Orange
<b>RD</b>	Red
<b>WH</b>	White
<b>BU</b>	Blue

STANDARD LED CODE	COLOR
<b>NONE</b>	Models without LED
<b>LV306</b>	Green
<b>LV327</b>	Yellow
<b>LV315</b>	Orange
<b>LV352</b>	Red
<b>LV302</b>	White
<b>LV328</b>	Blue

Additional LED colors available by request

## TRAVEL

**1.5** 1.5 MM

## OPERATING FORCE

OPTION CODE	OPERATING FORCE
<b>3N</b>	3 N, 300 g
<b>5N</b>	5 N, 500 g
<b>2N OD</b>	2 N, 200g without snap-point

## FRAME OPTION

**SD** METALLIC FRAME (OPTION FOR K6B AND K6BL)

NOTE: K6S and K6SL are equipped with metallic frame (SD not specified)



D

Key Switches

## X-ON Electronics

Largest Supplier of Electrical and Electronic Components

*Click to view similar products for [Tactile Switches](#) category:*

*Click to view products by [C&K](#) manufacturer:*

Other Similar products are found below :

[KMR633NG](#) [LFG](#) [5GTH9202242](#) [6426-201-11343](#) [MJ1226](#) [MJTP1109B](#) [MJTP1138EAUTR](#) [MJTP1230BL](#) [MJTPSHW](#) [GS6.90F300QP](#) [1-1977223-0](#) [1-1977120-4](#) [ADTSA62NV](#) [ADTSA62RV](#) [ADTSA63KV](#) [ADTSA644NV](#) [ADTSM24NVTR](#) [ADTSMW66NV](#) [ADTSMW67RV](#) [ATM533VTR](#) [1571300-3](#) [B3F-3123](#) [B3F-6055A](#) [B3F-B32-01-KIT](#) [1977177-8](#) [1977266-1](#) [2-1977223-4](#) [2-1977223-7](#) [ADTS644KV](#) [ADTSA61RV](#) [ADTSA62KV](#) [ADTSA63NV](#) [ADTSA63RV](#) [ADTSA65NV](#) [ADTSM21NSVTR](#) [ADTSM25RVTR](#) [ADTSM31RVTR](#) [ADTSM32NVTR](#) [ADTSM61YVTR](#) [ADTSM63SVTR](#) [ADTSM644KVTR](#) [ADTSMW64RV](#) [ADTSMW69NV](#) [FSMRA4JHA04](#) [GS4.70F300QP](#) [D38999/20JJ37SA](#) [TL1105B](#) [TL1105J](#) [ATH447K2Q](#) [ATM534VTR](#) [MJ1215](#)