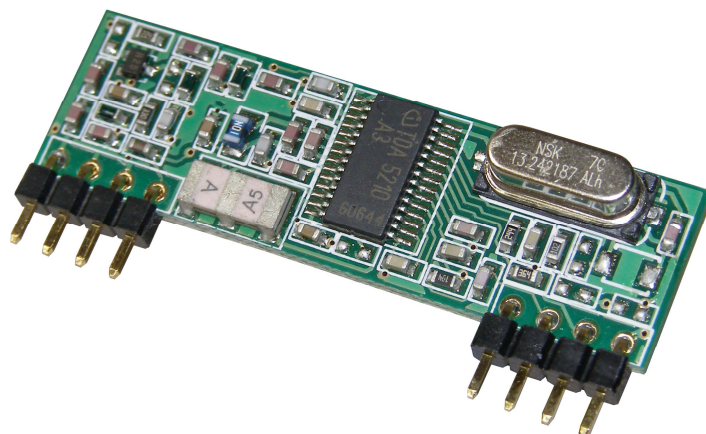


Features

- FSK Radio Receiver
- CMOS / TTL Output
- Stable Operating Frequency
- 5Vdc Operating Voltage
- Low Power Consumption
- Wide Operating temperature



Applications

- Car Security Systems
- Automation Systems
- Remote Gate Controls
- Remote Sensing
- Data Capture
- Sensor Reporting

Description

The Quasar UK FM-RX1 Super Heterodyne receiver module provides a complete radio receiver which can be used to receive undecoded data from the QuasarUK QFM-TX1 transmitter module.

The receiver incorporates an entire Phase-Locked Loop (PLL) ensuring precise local oscillator generation.

The module is very simple to operate and offers low power consumption allowing for extended battery life without the need to power down the module.

Data can be fed directly into a microprocessor or decoding device, thus keeping the component count down and ensuring a low hardware cost.

All receivers are compatible, producing a CMOS/TTL output, and only require connections to power and antenna.

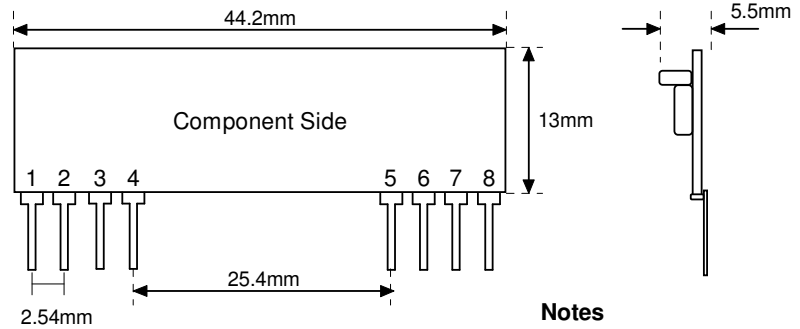
Part Numbers

Part Number	Description
QFM-RX1-433	FM Super Heterodyne Receiver Module, 434.2MHz

Technical Specifications

Pin Descriptions

Pin	Description
1	External Antenna
2, 3, 8	Ground
4,5	Supply Voltage
6	No Connect
7	Data input



Notes

Pins on 0.1" pitch
Pin Dims :0.6 x 0.6mm

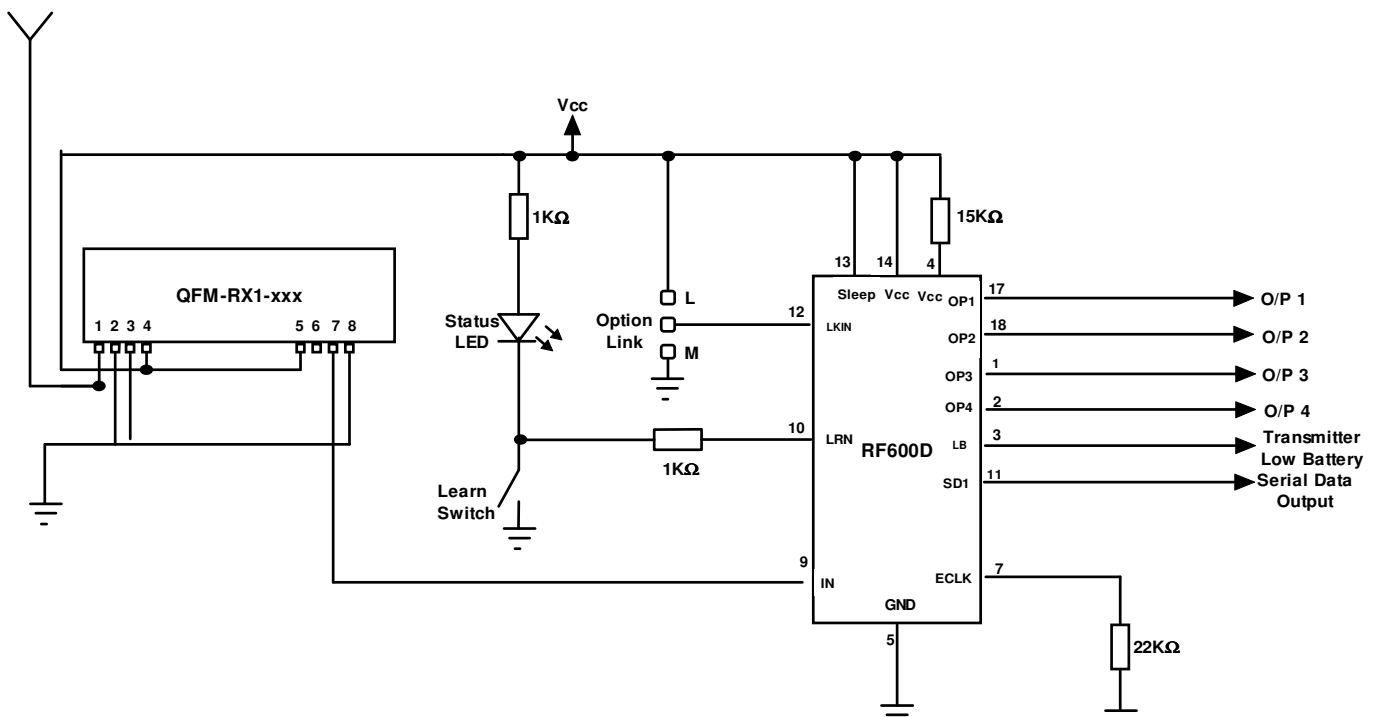
Electrical Characteristics

Ambient temp = 25°C unless otherwise stated.

Characteristic	Min.	Typ.	Max.	Dimensions
Supply Voltage	4.5	5	5.5	Vdc
Supply Current		10		mA
RF Sensitivity		-106		dBm
Working Frequency		434.20		MHz
High Level Output	0.7Vcc			VDC
Low Level Output			0.3Vcc	VDC
Turn On Time		2		ms
Data Rate	300	4,800	20,000	Hz
Operating Temperature	-20		+85	°C
Output Duty	40		60	%

Typical Application

For further information on this circuit please refer to the RF Solutions Ltd datasheet, DS600.



Information contained in this document is believed to be accurate, however no representation or warranty is given and no liability is assumed by Quasar (UK) Ltd. with respect to the accuracy of such information. Use of products as critical components in life support systems is not authorised except with express written approval from Quasar (UK) Ltd.



QuasarUK is an internet based company. All Sales / support and interface is via our website at

www.quasaruk.co.uk

for Sales:

Sales : sales@quasaruk.co.uk

for Support:

Support : sales@quasaruk.co.uk

Support Tel: 0907 639 0000

Calls charged at £0.60 per minute from a BT landline other networks may vary. Callers must be 18 or over and have the bill payers permission. Service provided by StealthNET Ltd :08444150774

X-ON Electronics

Largest Supplier of Electrical and Electronic Components

Click to view similar products for [quasar](#) manufacturer:

Other Similar products are found below :

[QAM-TX3](#)