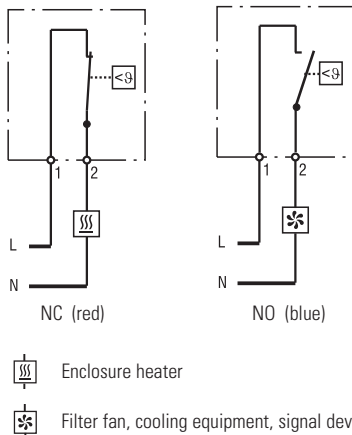
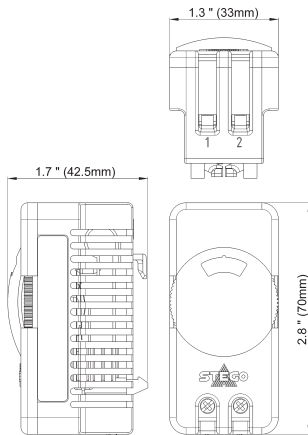




Convenient minimum set-point symbol on the NC thermostat to assure enclosure temperature remains above freezing



- Adjustable thumbwheel setting**
- Compact design**
- Small hysteresis**
- High switching capacity**
- DIN rail mountable**

The ST 011 thermostat is an SPST regulator with a small hysteresis. The housing design ensures optimized air circulation around the sensor element.

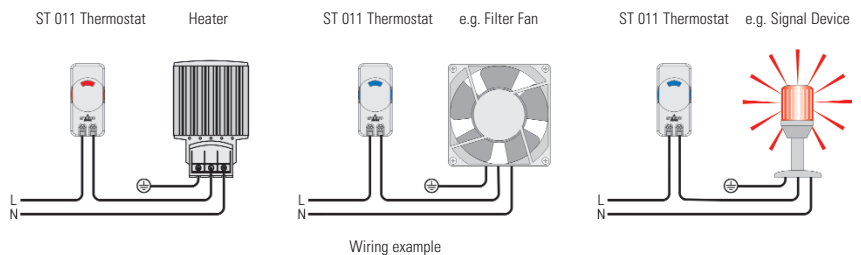
**STO 011:** NC / opens on temperature rise (**red** thumbwheel) - for regulating heaters or for switching signal devices when temperature has fallen below the minimum value.

**STS 011:** NO / closes on temperature rise (**blue** thumbwheel) - for regulating filter fans, heat exchangers, cooling devices or for switching signal devices when temperature limit has been exceeded.



## Technical Data

<b>Switching difference</b>	7°F (4K) ± 5.4°F (3K) tolerance
<b>Sensor element</b>	thermostatic bimetal
<b>Contact type</b>	snap-action contact
<b>Service life</b>	> 100,000 cycles
<b>Max. switching capacity</b>	15A resistive / 2A inductive @ 120VAC 10A resistive / 2A inductive @ 250VAC
<b>Max. inrush current</b>	DC 30 W (24-72VDC) AC 16A for 10 sec.
<b>Connection</b>	2-pole terminal for AWG 14 max. (2.5mm <sup>2</sup> ), torque 1Nm max.
<b>Housing</b>	plastic, UL 94V-0, light grey
<b>Mounting</b>	clip for 35mm DIN rail, EN 60 715
<b>Mounting position</b>	vertical
<b>Operating / Storage temperature</b>	-49 to +176°F (-45 to +80°C)
<b>Max. storage humidity</b>	90% RH (non-condensing)
<b>Dimensions</b>	2.76 x 1.3 x 1.65" (70 x 33 x 42mm)
<b>Weight</b>	approx. 1.8 oz. (50g)
<b>Protection type</b>	IP20



Part No. (NC)	Part No. (NO)	Setting range	Approvals
01115.9-00	01116.9-00	32 to 140°F	UL and VDE submitted
01115.0-00	01116.0-00	0 to 60°C	UL and VDE submitted

Specifications are subject to change without notice. Suitability of this product for its intended use and any associated risks must be determined by the end customer/ buyer in its final application.

## X-ON Electronics

Largest Supplier of Electrical and Electronic Components

*Click to view similar products for [stego manufacturer](#):*

Other Similar products are found below :

[01870.0-30](#) [01873.0-30](#) [01874.0-30](#) [11884.0-30](#) [14003.0-00](#) [01805.0-00](#) [01925.0-00](#) [11870.0-00](#) [11873.0-00](#) [02541.1-03-0003](#) [03082.0-01](#)  
[03082.0-00](#) [03084.0-00](#) [01131.2-01](#) [02031.0-00](#) [02032.0-00](#) [02035.0-10](#) [02540.0-03](#) [01131.9-00](#) [08605.0-00](#) [03114.0-00](#) [01871.1-30](#)  
[01925.1-01](#) [12101.0-30](#) [01163.0-01](#) [01163.0-03](#) [01164.0-00](#) [01170.0-01](#) [01170.9-01](#) [08601.0-00](#) [01882.0-00](#) [14006.0-00](#) [14008.0-00](#)  
[01802.0-00](#) [02820.0-06](#) [02701.0-00](#) [04640.0-00](#) [06020.0-00](#) [11802.0-00](#) [02540.0-00](#) [03202.9-00](#) [244358](#) [01131.2-00](#) [01231.1-00](#) [28410.0-](#)  
[00](#) [244356](#) [01185.1-00](#) [02034.0-00](#) [02540.1-11](#) [02540.1-13](#)