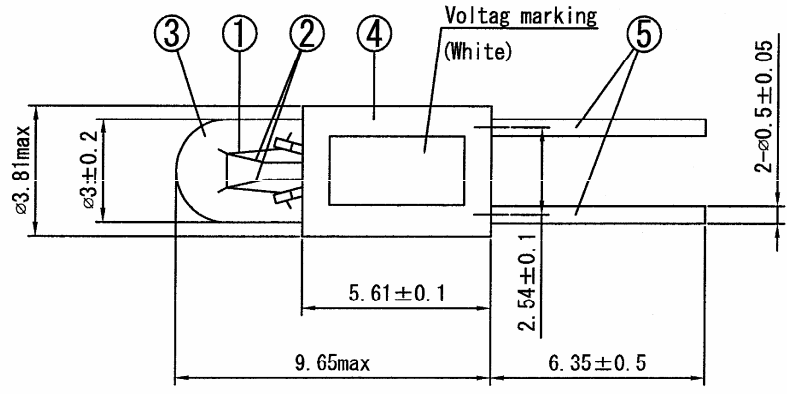


SPECIFICATION	T-1 BP RM2.54 GP	FL-13-2021	1 / 2
---------------	------------------	------------	-------

1. Dimensions

Do not measure the drawings.



3. Materials

	Name of Parts	Material
1	Filament	Tungsten
2	Filament support	Molybdenum
3	Bulb envelope	Glass
4	Base	T-1 BPRM Base (Color: Black)
5	Pin	Ni-pin (gold-plated)

4. Notes

- 1) The values shown above are the characteristics of the lamp itself.
- 2) All lamps shall function between the temperature of -40deg. c. and +85deg. c.
- 3) Test to confirm life hours is conducted at 130% over-voltage (AC) for at the temperature between 23 deg. c. and 25 deg. c. on the condition of free from vibration. Cofficient:30.3 times.
- 4) Conditions of vibration test are:Design voltage DC, acceleration 4.5G, frequency 33Hz, amplitude 2mm, and directions X:4 Hours,Y:2 Hours, and Z:2 Hours.
- 5) Constituent materials of this lamps are free from cadmium.

Date Issued:
27th Nov. 2004
Issued by T. Ishimaru



Dimensions: in mm
Scale : 5/1

X-ON Electronics

Largest Supplier of Electrical and Electronic Components

Click to view similar products for [cml manufacturer](#):

Other Similar products are found below :

[1860623W3A](#) [19010351](#) [19300133](#) [192A0255](#) [19211252](#) [19050253](#) [19241354](#) [195A1350](#) [SK-3-2500](#) [6346002505R](#) [6275AL](#) [19041051](#)
[19010053](#) [19180351](#) [19272351](#) [19040351](#) [19051357](#) [19050357](#) [19010350](#) [19000352](#) [T000205](#) [1860325W3D](#) [19000353](#) [SK-2-2500](#)
[19410132M](#) [19050257](#) [192A1355](#) [7632](#) [18600M51](#) [19210363](#) [19272350](#) [1512145UR3](#) [T000015](#) [1927235WA](#) [190403Z2](#) [19211253](#)
[19740135](#) [192D0000](#) [192D0230](#) [1511A35W3A](#) [1860245W3](#) [W643](#) [19272352](#) [19080350](#) [190A2351](#) [18606232](#) [1512135UG3](#) [T010309](#)
[19031253](#) [1511A45W3D](#)