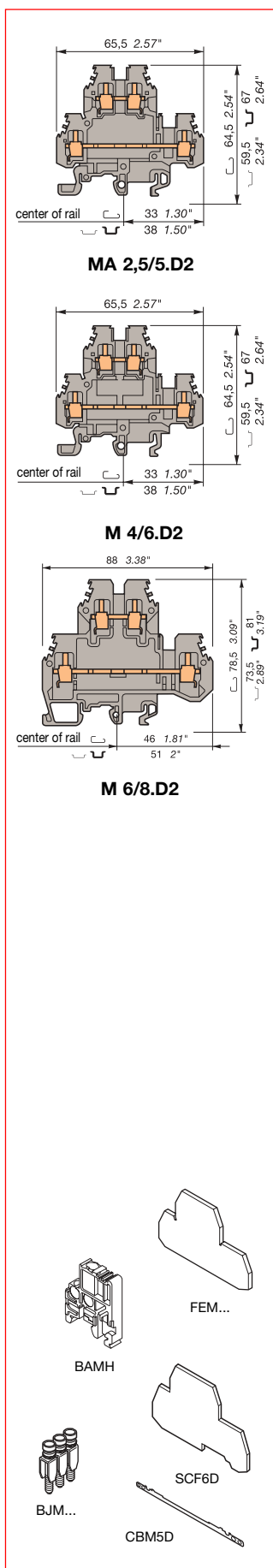


Feed through terminal blocks Double-deck

Screw clamp  DIN 1-3



MA 2,5/5.D2 - 2.5 mm² blocks - 5 mm .200" spacing

Characteristics		IEC NFC DIN	UL	CSA
Wire size mm ² / AWG	Solid	0.2 - 4	22-12 AWG	20-12 AWG
	Stranded	0.22 - 2.5		
Voltage	V	630	300	300
Current	A	24	20	25
Rated wire size	mm ² / AWG	2.5 mm ²	12 AWG	12 AWG
Wire stripping length	mm / inches	9 mm / .354"		
Recommended torque	Nm / lb.in	0.4-0.6 Nm / 3.5-5.3 lb.in		

(1) Only for MA 2,5/5.D2...

M 4/6.D2 - 4 mm² blocks - 6 mm .238" spacing

Characteristics		IEC NFC DIN	UL	CSA
Wire size mm ² / AWG	Solid	0.2 - 4	22-12 AWG	24-12 AWG
	Stranded	0.22 - 4		
Voltage	V	800	600	300
Current	A	32	20	25
Rated wire size	mm ² / AWG	4 mm ²	12 AWG	12 AWG
Wire stripping length	mm / inches	8.5 mm / .33"		
Recommended torque	Nm / lb.in	0.5-0.8 Nm / 4.4-7.1 lb.in		




(2) Only for M 4/6.D2...

M 6/8.D2 - 6 mm² blocks - 8 mm .315" spacing

Characteristics		IEC NFC DIN	UL	CSA
Wire size mm ² / AWG	Solid	0.5 - 10	18-8 AWG	8 AWG
	Stranded	0.5 - 6		
Voltage	V	800	600	600
Current	A	41	50	45
Rated wire size	mm ² / AWG	6 mm ²	8 AWG	8 AWG
Wire stripping length	mm / inches	12 mm / .47"		
Recommended torque	Nm / lb.in	0.8-1 Nm / 7.1-8.9 lb.in		

(3) Only for M 6/8.D2...

MA 2,5/5.D2...Selection

Description	Type	Order P/N	Packaging Weight kg
Standard block grey	 MA 2,5/5.D2	1SNA 115 490 R1300	50
Standard block blue	 MA 2,5/5.D2.N	1SNA 125 490 R1500	50
Standard block beige V0	 MA 2,5/5.D2.V0	1SNA 195 490 R1400	50

M 4/6.D2...Selection

Standard block grey	 M 4/6.D2	1SNA 115 271 R2200	50
Standard block beige V0	 M 4/6.D2.V0	1SNA 195 271 R2300	50

M 6/8.D2...Selection

Standard block grey	 M 6/8.D2	1SNA 115 501 R1200	50
Standard block beige V0	 M 6/8.D2.V0	1SNA 195 501 R1300	50

Accessories

End stop		BAMH 9.1 mm	1SNA 114 836 R0000	50
End section	grey	 FEM6D 1 mm (1) (2)	1SNA 118 499 R2300	20
	blue	 FEM6D 1 mm (1) (2)	1SNA 128 499 R2500	20
	grey	 FEM8D1 1 mm (3)	1SNA 116 656 R2500	20
	grey	 FEM8D2 4 mm (3)	1SNA 116 657 R2600	20
Separator end section	grey	 SCF6D 1 mm (2)	1SNA 118 495 R1700	20
Assembled jumper bar (with IP20 protection)	2 poles	BJMI5D 24 A (1)	1SNA 176 736 R2100	10
	3 poles	BJMI5D 24 A (1)	1SNA 176 737 R2200	10
	4 poles	BJMI5D 24 A (1)	1SNA 176 738 R0300	10
	5 poles	BJMI5D 24 A (1)	1SNA 176 739 R0400	10
	10 poles	BJMI5D 24 A (1)	1SNA 176 740 R1100	10
Assembled jumper bar (with IP20 protection)	2 poles	BJMI6D 32 A (2)	1SNA 179 668 R2000	10
	3 poles	BJMI6D 32 A (2)	1SNA 179 669 R2100	10
	4 poles	BJMI6D 32 A (2)	1SNA 179 670 R2600	10
	5 poles	BJMI6D 32 A (2)	1SNA 179 671 R1300	10
	10 poles	BJMI6D 32 A (2)	1SNA 179 672 R1400	10
Assembled jumper bar (with IP20 protection)	2 poles	BJMI8 41 A (3)	1SNA 176 669 R1600	10
	3 poles	BJMI8 41 A (3)	1SNA 176 670 R1300	10
	4 poles	BJMI8 41 A (3)	1SNA 176 671 R0000	10
	5 poles	BJMI8 41 A (3)	1SNA 176 672 R0100	10
	10 poles	BJMI8 41 A (3)	1SNA 176 673 R0200	10
Shield connector		CBM5D 0.5 mm (1) (2)	1SNA 173 530 R2400	50

X-ON Electronics

Largest Supplier of Electrical and Electronic Components

Click to view similar products for [entrelec](#) manufacturer:

Other Similar products are found below :

[023000012](#) [023103024](#) [023000107](#) [1SNK505310R0000](#) [011762822](#) [016511417](#) [016340320](#) [1SNK516020R0000](#) [023300421](#)

[1SNK510010R0000](#) [018731214](#) [011870703](#) [010500220](#) [011511607](#) [023300227](#) [016049626](#) [017666704](#) [1SNK508411R0000](#) [023300320](#)

[023300001](#) [016548827](#) [012511813](#) [017301610](#) [011546820](#) [010500127](#)