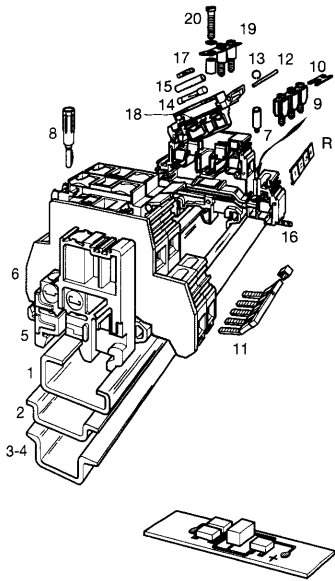


**Fuse-holder terminal blocks, double deck, for 5 x 20 mm GMA and 5 x 25 mm fuses**



Removable fusion indicator

**Characteristics**

Wire size (see generalities)	Solid wire	0-4 mm <sup>2</sup>
	Stranded wire	0-4 mm <sup>2</sup>

Rated voltage	~ AC	500 Gr.C
	= DC	600 Gr.C

Rated current	6.3
---------------	-----

Rated wire size	4 mm <sup>2</sup>
-----------------	-------------------

**Other characteristics**

For compression clamp connection	9.5 mm .374"
----------------------------------	-----------------

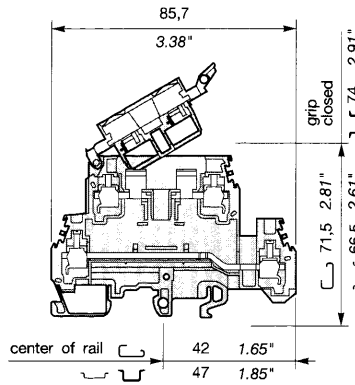
**Approvals (Contact Entelec)**

**Accessories**

- 1 Rail 32 x 15 DIN1
- 2 Rail 35 x 7.5 x 1 DIN3
- 3 Rail 35 x 15 x 2.3 DIN3
- 4 Rail 35 x 15 x 1.5
- 5 High end stop (recommended)
- 6 End section
- 7 Test socket
- 8 Test plug
- 9 Assembled jumper bar
- 10 Connector plate
- 11 Comb-type jumper bar
- 12 Assembly rod (to allow multi-pole operation)
- 13 Assembly ring
- 14 Fuse 5x20 mm and 5x25 mm - 250 V fast acting
- 15 Disconnect link bar
- 16 Shield connector
- 17 Neon lamp
- 18 LED detector
- 19 Jumper bar not preassembled
- 20 Screw for item 19
- R See markers section Marking method

**M 4/8.D2.SF**

Spacing 8 mm .315" **NEW**

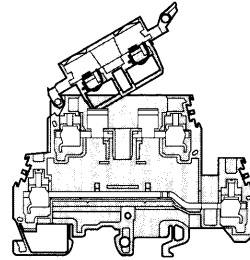


Standard block

Type	P/N
Grey body	
<b>M 4/8.D2.SF</b>	<b>115 604.21</b>

**M 4/8.D2.SFL**

Spacing 8 mm .315" **NEW**

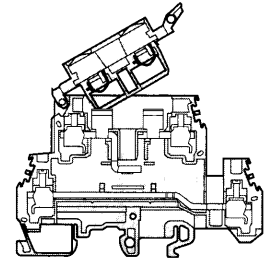


M 4/8.D2 SF block equipped with contacts for fusion indicator, delivered separately

Type	P/N
Grey body	
<b>M4/8.D2.SFL</b>	<b>115 605.22</b>

**M 4/8.D2.SFL1**

Spacing 8 mm .315" **NEW**



M 4/8.D2.SFL block equipped with contacts for fusion indicator delivered separately Internal jumpering option delivered separately.

Type	P/N
Grey body	
<b>M4/8.D2.SFL1</b>	<b>115 606.23</b>

	DIN-VDE	UL	CSA	NFC-UTE	DIN-VDE	UL	CSA	NFC-UTE	DIN-VDE	UL	CSA	NFC-UTE
Wire size	0-4 mm <sup>2</sup>	22-12AWG	18-12AWG	0-4 mm <sup>2</sup>	0-4 mm <sup>2</sup>	22-12AWG	18-12AWG	0-4 mm <sup>2</sup>	0-4 mm <sup>2</sup>	22-12AWG	18-12AWG	0-4 mm <sup>2</sup>
Rated voltage	500 Gr.C	600	250	500 Cat.C	500 Gr.C	600	250	500 Cat.C	500 Gr.C	600	250	500 Cat.C
Rated current	6.3	6.3	6.3	6.3	6.3	6.3	6.3	6.3	6.3	6.3	6.3	6.3
Rated wire size	4 mm <sup>2</sup>	12 AWG	12 AWG	2.5 mm <sup>2</sup>	4 mm <sup>2</sup>	12 AWG	12 AWG	2.5 mm <sup>2</sup>	4 mm <sup>2</sup>	12 AWG	12 AWG	2.5 mm <sup>2</sup>

Wire stripping length	9.5 mm	4 mm	0.4-0.6 Nm	IP20	9.5 mm	4 mm	0.4-0.6 Nm	IP20	9.5 mm	4 mm	0.4-0.6 Nm	IP20
-----------------------	--------	------	------------	------	--------	------	------------	------	--------	------	------------	------

Approvals	UL	CSA	UL	CSA	UL	CSA	UL	CSA	UL	CSA	UL	CSA
-----------	----	-----	----	-----	----	-----	----	-----	----	-----	----	-----

Type	P/N	Type	P/N	Type	P/N
PR1 Z2	163 050.04	PR1 Z2	163 050.04	PR1 Z2	163 050.04
PR20	173 220.05	PR30	173 220.05	PR30	173 220.05
PR4	168 500.12	PR4	168 500.12	PR4	168 500.12
PR5	101 598.26	PR5	101 598.26	PR5	101 598.26
BAMH	114 836.00	BAMH	114 836.00	BAMH	114 836.00
FEM8D2S	116 913.07	FEM8D2S	116 913.07	FEM8D2S	116 913.07
AL (1) (4)	(see access.)	AL (1) (4)	(see access.)	AL (1) (4)	(see access.)
FC	(see access.)	FC	(see access.)	FC	(see access.)
BJM8 (4)	(see access.)	BJM8 (4)	(see access.)	BJM8 (4)	(see access.)
EL6	173 627.21	EL6	173 627.21	EL6	173 627.21
PC81	173 523.11	PC81	173 523.11	PC81	173 523.11
TGA8	168 672.11	TGA8	168 672.11	TGA8	168 672.11
ANT (2)	168 675.14	ANT (2)	168 675.14	ANT (2)	168 675.14
FU520	168 831.21	FU520	168 831.21	FU520	168 831.21
	168 832.22		168 832.22		168 832.22
	168 833.23		168 833.23		168 833.23
	168 834.24		168 834.24		168 834.24
	168 835.25		168 835.25		168 835.25
FU525	167 546.22	FU525	167 546.22	FU525	167 546.22
	167 547.23		167 547.23		167 547.23
	167 548.04		167 548.04		167 548.04
	167 549.05		167 549.05		167 549.05
	167 550.02		167 550.02		167 550.02
CN5	168 804.07	CN5	168 804.07	CN5	168 804.07
CBD2S	178 408.14	CBD2S	178 408.14	CBD2S	178 408.14
LEN	167 075.25	LEN	167 075.25	LEN	167 075.25
LEL24	178 469.10	LEL24	178 469.10	LEL24	178 469.10
LEL48	178 470.15	LEL48	178 470.15	LEL48	178 470.15
CN5	168 804.07	CN5	168 804.07	CN5	168 804.07
CBD2S	178 408.14	CBD2S	178 408.14	CBD2S	178 408.14
LEN	167 075.25	LEN	167 075.25	LEN	167 075.25
LEL24	178 469.10	LEL24	178 469.10	LEL24	178 469.10
LEL48	178 470.15	LEL48	178 470.15	LEL48	178 470.15
BJS8 (3)	(see access.)	BJS8 (3)	(see access.)	BJS8 (3)	(see access.)
VJS11	163 394.26	VJS11	163 394.26	VJS11	163 394.26

(6) (7) (use RC 610 on lever, use RC 810 on side) (6) (7) (use RC 610 on lever, use RC 810 on side) (6) (7) (use RC 610 on lever, use RC 810 on side)

(1) AL2 163 043.21 - AL3 163 261.00 - AL4 163 262.01. (2) For assembly of item 12, 1 needed. (3) Use of this accessory requires the user to cut out the partition. For item 20, one screw per point required. (4) These accessories can be used on the lower connection only.

## **X-ON Electronics**

Largest Supplier of Electrical and Electronic Components

*Click to view similar products for [entrelec](#) manufacturer:*

Other Similar products are found below :

[023000012](#) [023103024](#) [023000107](#) [1SNK505310R0000](#) [011762822](#) [016511417](#) [016340320](#) [1SNK516020R0000](#) [023300421](#)

[1SNK510010R0000](#) [018731214](#) [011870703](#) [010500220](#) [011511607](#) [023300227](#) [016049626](#) [017666704](#) [1SNK508411R0000](#) [023300320](#)

[023300001](#) [016548827](#) [012511813](#) [017301610](#) [011546820](#) [010500127](#)