



- Wide adjustment range**
- High switching capacity**
- SPDT (change-over) contact**
- Very low hysteresis option**
- DIN rail mountable**

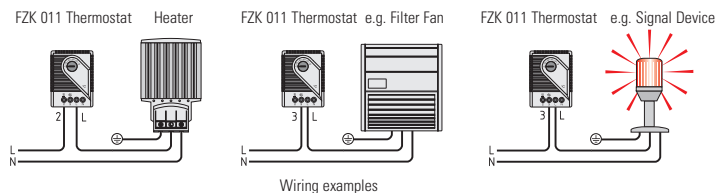
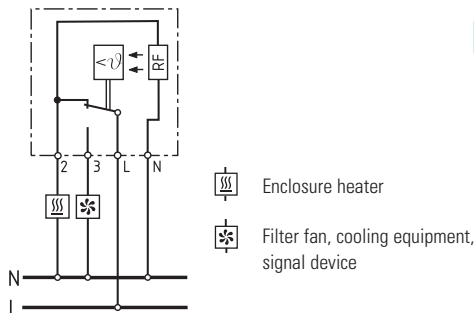
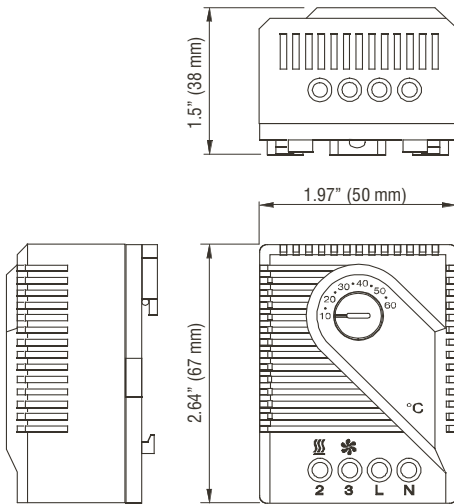
The FZK 011 mechanical thermostat is used for controlling heating and cooling equipment, filter fans or signal devices where a higher degree of sensing accuracy is required. An integrated resistor (RF) can be connected to improve the switch temperature difference (see Option note).

The thermostat registers the surrounding air and can switch both inductive and resistive loads via snap-action contact.



Technical Data

Switching difference	approx. 9°F (5K), tolerance -5.4/+3.6°F (-3/+2K)
Option note:	connecting terminal "N" (RF heating resistor) enables thermal feedback, reducing the hysteresis - amount is subject to surrounding conditions TBD for each individual application
Sensor element	thermostatic bimetal
Contact type	SPDT / change-over contact
Contact resistance	< 10mΩ
Service life	> 100,000 cycles
Max. switching capacity, NC	10A resistive / 4A inductive @ 120VAC 10A resistive / 4A inductive @ 250VAC DC 30W
Max. switching capacity, NO	5A resistive / 2A inductive @ 120VAC 5A resistive / 2A inductive @ 250VAC DC 30W
Minimum load	20mA (all voltages)
Connection	4-pole terminal, clamping torque 0.5Nm max.: solid wire - AWG 14 max. (2.5mm ²) stranded wire (with wire end ferrule) - AWG 16 max. (1.5mm ²)
Housing	plastic, UL 94V-0, light grey
Mounting	clip for 35mm DIN rail, EN 60 715
Mounting position	vertical
Operating / storage temperature	-49 to +149°F (-45 to +65°C)
Dimensions	2.64 x 1.97 x 1.5" (67 x 50 x 38mm)
Weight	approx. 3.5 oz. (100g)
Protection type	IP20



Part No.	Operating voltage ¹⁾	Setting range	Approvals
01170.0-00	230VAC	5 to 60°C	UL File No. E164102
01170.0-01	230VAC	40 to 140°F	UL File No. E164102
01170.9-00	120VAC	40 to 140°F	UL File No. E164102
01170.9-01	120VAC	5 to 60°C	UL File No. E164102

¹⁾ Voltage only needs to be specified if the optional use of the RF resistor is desired.

Specifications are subject to change without notice. Suitability of this product for its intended use and any associated risks must be determined by the end customer/ buyer in its final application.

X-ON Electronics

Largest Supplier of Electrical and Electronic Components

Click to view similar products for [stego manufacturer](#):

Other Similar products are found below :

[01870.0-30](#) [01873.0-30](#) [01874.0-30](#) [11884.0-30](#) [14003.0-00](#) [01805.0-00](#) [01925.0-00](#) [11870.0-00](#) [11873.0-00](#) [02541.1-03-0003](#) [03082.0-01](#)
[03082.0-00](#) [03084.0-00](#) [01131.2-01](#) [02031.0-00](#) [02032.0-00](#) [02035.0-10](#) [02540.0-03](#) [01131.9-00](#) [08605.0-00](#) [03114.0-00](#) [01871.1-30](#)
[01925.1-01](#) [12101.0-30](#) [01163.0-01](#) [01163.0-03](#) [01164.0-00](#) [01170.0-01](#) [01170.9-01](#) [08601.0-00](#) [01882.0-00](#) [14006.0-00](#) [14008.0-00](#)
[01802.0-00](#) [02820.0-06](#) [02701.0-00](#) [04640.0-00](#) [06020.0-00](#) [11802.0-00](#) [02540.0-00](#) [03202.9-00](#) [244358](#) [01131.2-00](#) [01231.1-00](#) [28410.0-](#)
[00](#) [244356](#) [01185.1-00](#) [02034.0-00](#) [02540.1-11](#) [02540.1-13](#)