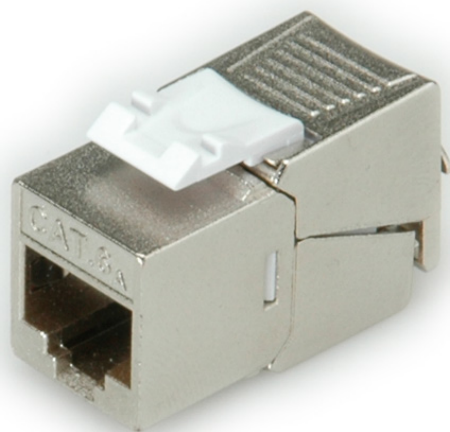


# rotronic

**Datenblatt - Fiche technique - Data sheet**

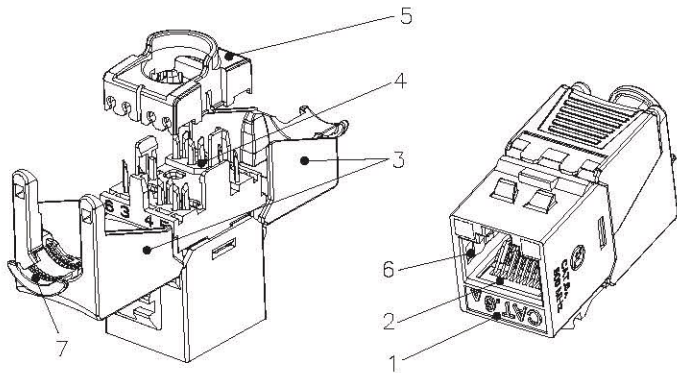
**26.11.0378**



**ROLINE Kat.6a Keystone, geschirmt, werkzeuglos, SLIM,  
silberfarben,**

**ROLINE Keystone Cat.6a, blindé, sans outil, SLIM, blanc argent,**

**ROLINE Keystone Jack, Cat.6a, RJ-45, shielded, toolless, SLIM,  
silver,**



SCALE 1/1

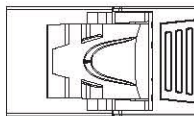
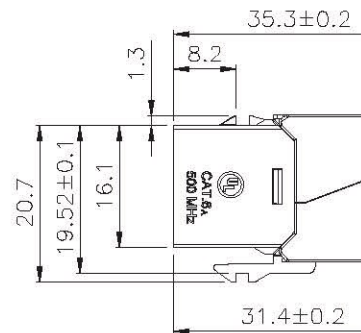
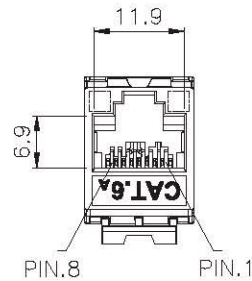
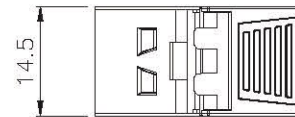
Specification :

Material :

1. RJ45 Jack :
  - 1-1. Housing : Zinc Die-Casting with Nickel plated
  - 1-2. Contact Bracket : PC, UL 94-V2, Transparent color
2. RJ45 Jack Contact :
  - 2-1. Material : Phosphor Bronze with Nickel plated
  - 2-2. Finish : 50 micro-inch Gold plated on Plug contact area
3. Cap A&B : Zinc Die-Casting with Nickel plated
4. IDC :
  - 4-1. Housing : PC+Glass Fiber, White color, UL 94-V2
  - 4-2. Terminal : Phosphor Bronze with Tin plated
5. IDC Cap : PC+Glass Fiber, White color, UL 94-V2
6. Clip : Stainless Steel
7. Grounding Contact : Zinc Die-Casting with Nickel plated
8. PCB : FR4, UL 94-V0

Performance :

- a. T568A & T568B wiring.
- b. Insertion Force : 30N max. (IEC 60603-7-5)
- c. Retention Strength : 7.7 kg between Jack and Plug
- d. Operating Temperature : -10°C to 60°C. (ISO/IEC 11801, ANSI/TIA 568 C.2)
- e. Life(mating cycles) :
  - e-1. Jack : 750 cycles min. (ISO/IEC 11801, IEC 60603-7-5)
  - e-2. IDC : Suitable for 23-26 AWG stranded and solid wire
  - e-3. Tool-less : When using the IDC Cap for wire management
- f. The Cat.6A transmission performance is in compliance with the ANSI/TIA 568 C.2 standard



<b>Item No.</b>	<b>26.11.0378</b>	
<b>Description</b>	<b>ROLINE Cat. 6a Key</b>	
"#": Matching DIM.	DRAWING	11.SEP.2014
"*": Important DIM.	CHECK	11.SEP.2014
Others General DIM.	APPROVAL	11.SEP.2014
GENERAL TOLERANCE OF DIMENSIONS	DATE	
X.XXX ±0.005	SCALE	1/1 (A4) UNIT
X.XX ±0.05		DRAWING
X.X ±0.1		DRAWING

No.	MODIFIED AREA	ORIGINAL	MODIFY	DATE	MODIFIER
1					

## X-ON Electronics

Largest Supplier of Electrical and Electronic Components

*Click to view similar products for [Modular Connectors / Ethernet Connectors](#) category:*

*Click to view products by [Roline](#) manufacturer:*

Other Similar products are found below :

[RJE231881317T](#) [MP1010RX-1000](#) [MP44RX-1000](#) [GAX-3-66](#) [GAX-8-62](#) [93606-0253](#) [GD-A-44](#) [GDCX-PA-66-50](#) [GDCX-PN-64](#) [GDCX-PN-66](#) [GDCX-PN-66-50](#) [GDLX-A-66](#) [GDLX-A-88](#) [GDLX-N-66](#) [GDLX-S-88K](#) [GDTX-S-88-50](#) [GDX-PA-1010](#) [GLX-N-1010M-BLK](#) [GLX-N-44M](#) [GLX-S-88M-BLK](#) [GMX-N-1010](#) [GMX-S-1010](#) [GMX-S-66](#) [GMX-SMT2-N-1010](#) [GMX-SMT2-N-64-50](#) [GMX-SMT2-S6-88](#) [GMX-SMT4-N-88](#) [GPX-2-64](#) [GRT1-BT1-5](#) [GSGX-N-2-88](#) [GSX-NS2-88-3.05](#) [GSX-NS2-88-3.05-50](#) [GSX-NS-88-3.05-30](#) [GSX-NS-88-3.05-50](#) [GSX-NS-88-3.68](#) [1-1775629-2](#) [GWLX-S-88-GR](#) [GWLX-S9-88-YG](#) [1300500326](#) [1300500227](#) [1300530003](#) [1300570002](#) [1324640-4](#) [RJ11FTVC2G](#) [RJ11FTVC2N](#) [RJFTVX2SA1G](#) [132764-001](#) [1400000](#) [1413176](#) [1413235](#)