

BNC keystone coupler HD 75 Ohm



BNC connectors are the most reliable and universally accepted method of terminating coaxial cable. Outstanding electrical performance (up to and beyond 3 GHz) is achieved by virtue of high quality components and first class design in this professional, broadcast standard 75Ω back to back connector. Designed to snap into any standard sized keystone opening it can be used in a huge variety of outlets, panels and housings.

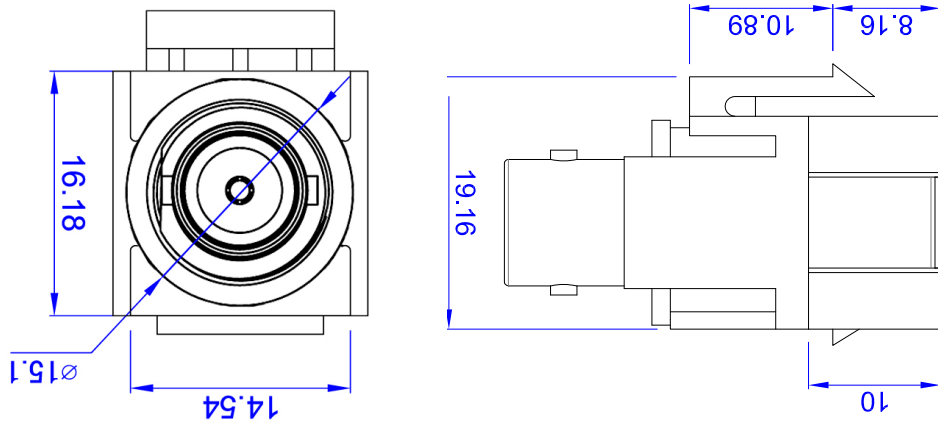
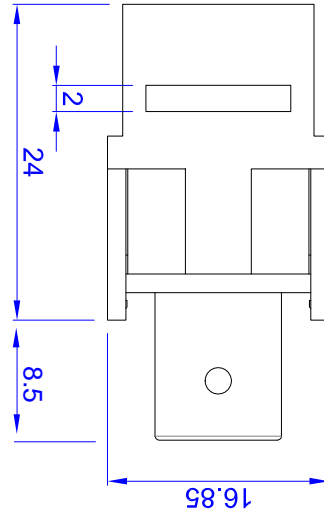
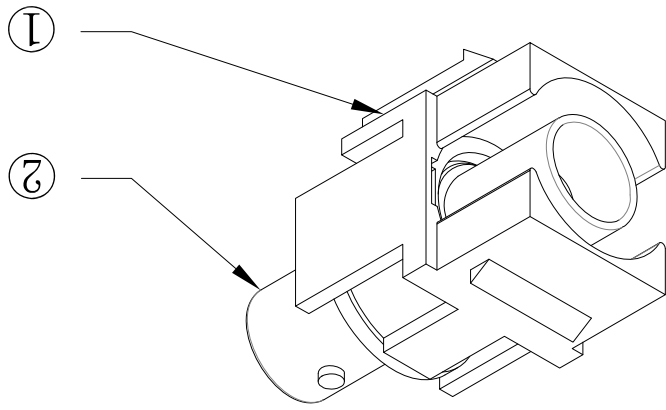
Features

- Connector core designed and manufactured by leading BNC specialists **COAX**
- Nickel plating for improved performance with superior signal quality with minimal noise
- Female to female true 75Ω connector, conforms to SMPTE424M
- Used in high performance A/V applications for coaxial cable in radio, HDTV and other radio frequency electronic equipment, test instruments and HD digital video signals, up to 3Gbit/s
- Snap in keystone jack provides a clean and neat, fast and easy installation in a wide range of housings and outlets
- Keystone housing ensures excellent insulation of connector body
- Tested to perform at frequencies up to 4.5 GHz
- Black and white versions available to match panel or faceplate colour
- Fully inter-mates with standard 50Ω connectors
- Available as part of our innovative new panel mount and D UNIVERSAL range

Specifications

- Dimensions: approx. 32.5x22x16.85mm
- Weight: approx. 16.34g
- Materials
 - Keystone housing: ABS UL94V-0
 - Adaptor body: tarnish resistant nickel plated brass
 - Centre contact: gold plated phosphor bronze
 - Insulator: PTFE
- Impedance: 75Ω
- Frequency: 0 - 4.5 GHz
- Mating cycles: 500

Code: KBNC75bk/wh



Specifications:
Adaptor material: ABS UL94V-0
Connector body: tarnish resistant
Material: gold plated
Material: brass
Material: gold plated
Resistance: 75 ohm
Frequency: 0 - 4.5 GHz
Color: PTFE

X-ON Electronics

Largest Supplier of Electrical and Electronic Components

Click to view similar products for [tuk](#) manufacturer:

Other Similar products are found below :

[SP1YW](#) [SP0.5BL](#) [FJKPT](#) [SKMCBKDPM](#) [PXCAT6S8XL2](#) [OT45BK](#) [SKFYW](#) [TSY](#) [PXSPDY6S#100](#) [PSPDY5#100](#) [PSDL-6#20](#) [WJOL](#)
[F78BKB](#) [FACK2BKDPM](#) [FJP2](#) [SKFBKDPM](#) [SPDL5BK](#) [SP10BK](#) [SKH1LJ](#) [PXSPDY5#10](#) [PSDL-5#100](#) [WJSG](#) [FJ445](#) [SP2GN](#) [SP10GN](#)
[SLJBKDPM](#) [SILS](#) [SP5GN](#) [SGPZ10BK](#) [MGOP6](#) [PXSPDY6#10](#) [TRCSPDY3](#) [SKH4](#) [SGKSSU-45WH](#) [SP10BL](#) [SGPZ3BK](#) [ADF](#) [CPR2](#)
[SEKEI-45WH](#) [SGKH2](#) [TRCSPDYBP](#) [SP10YW](#) [KPJ2BK](#) [KH2](#) [KOCSM](#) [SGACK2SPM](#) [KPH1BK](#) [PXSPDY6#100](#) [KOCSMDPM](#) [SP1BK](#)