

Standard terminal blocks

Compression clamp

DIN 1 - 3



Test connector : See Accessories section

| | | | |
|----------|---------------|------------------------|--------------------|
| End stop | th. 9 mm | BADL V0 | 0199 408.02 |
| End stop | th. 9,1 mm | BAM | 0103 002.26 |
| Rail | 35 x 7,5 x 1 | PR30 prepunched | 0173 220.05 |
| Rail | 35 x 15 x 2,3 | PR4 | 0168 500.12 |
| Rail | 35 x 15 x 1,5 | PR5 prepunched | 0101 598.26 |
| Rail | 32 x 15 x 1,5 | PR1Z2 | 0163 050.04 |

Other end stops and rails : See Accessories section

Characteristics

Wire size

| | IEC | UL | CSA |
|------------------------|--------------------------|-----------|-----------|
| | NFC | DIN | |
| Compression Solid wire | 0,2-4 mm ² | 24-12 AWG | 24-12 AWG |
| Stranded wire | 0,22-2,5 mm ² | 24-12 AWG | 24-12 AWG |

Voltage

| | 800 V | 600 V | 600 V |
|------------------|-------|-------|-------|
| Rated | | | |
| Pulse | 8 kV | | |
| Pollution degree | 3 | | |

Current

| | 24 A | 30 A | 25 A |
|-------|------|------|------|
| Rated | | | |

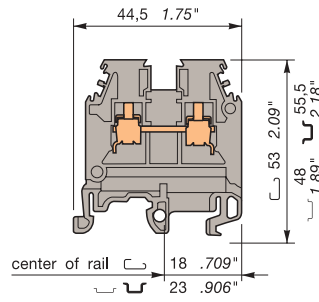
Wire size

| Rated / Gauge | 2,5 mm ² / A3 | 12 AWG | 12 AWG |
|-----------------------|--------------------------|----------------|------------|
| Wire stripping length | Recomm. Screwdriver | Recomm. torque | Protection |
| 10 mm | 3,5 mm | 0,4-0,6 Nm | IP 20 |
| .39" | .137" | 3,5-5,3 lb.in | NEMA 1 |

Notes
The use of some accessories may decrease the block's voltage rating. For more information, consult us.

MA 2,5/5...

Spacing 5 mm + 0,08 (.200")



Standard 5 mm block.

0115 486.03

| Color | Type | Part numbers |
|------------------------|----------------------|--------------------|
| Standard blocks | | |
| Grey | MA 2,5/5 | 0115 486.03 |
| Blue | MA 2,5/5.N | 0125 486.05 |
| Yellow | MA 2,5/5 | 0105 486.12 |
| White | MA 2,5/5 | 0105 052.21 |
| Orange | MA 2,5/5 | 0105 075.20 |
| Beige V0 | MA 2,5/5.V0 | 0195 486.04 |
| Blue V0 | MA 2,5/5.N.V0 | 0199 010.21 |



Accessories

| Accessories | Type | Part numbers | | | |
|-------------|--|---|---|---|--------------------------|
| | 1 End section | grey blue orange yellow green white beige blue yellow | | | |
| | 2 End section | grey | | | |
| | 3 End section | grey | | | |
| | 4 Circuit separator | grey | | | |
| | 5 Separator end section | grey blue beige | | | |
| | 6 Separator end section | grey | | | |
| | 7 Separator end section | grey | | | |
| | 8 Separator end section | grey | | | |
| | 9 Separator end section | grey | | | |
| | 10 Separator end section (for cover CPV) | grey beige | | | |
| | 11 Protective cover | grey | | | |
| | 12 Protective cover | grey | | | |
| | | 13 Test socket | 24 A | | |
| | | 14 Test device | 24 A | | |
| | | 15 Test plug | 24 A | | |
| | | | 16 Assembled jumper bar (without IP20 protection) | 24 A | |
| | | | 17 Assembled jumper bar (with IP20 protection) | 24 A | |
| | | | | 18 Jumper bar not assembled Post + screw + washer | 24 A |
| | | | | 19 Connector plate | 24 A |
| | | | | 20 Screwless jumper bar orange IP 20 | 24 A |
| | | | | 21 Connector plate | 24 A |
| | | | | 22 Alternated jumper bar | 24 A |
| | 23 Comb-type jumper bar | | | 30 A | |
| | | | | 24 Insulating tip | 30 A |
| | | | | 24 Shield connector | th. 0,5 mm th. 0,8 mm |
| | | 25 Protection label | | | |

| Type | Part numbers |
|-------------------------------------|-------------------------------|
| FEM6 | th. 2,8 mm 0118 368.16 |
| FEM6 | th. 2,8 mm 0128 368.10 |
| FEM6 | th. 2,8 mm 0103 126.16 |
| FEM6 | th. 2,8 mm 0103 062.21 |
| FEM6 | th. 2,8 mm 0103 125.15 |
| FEM6 | th. 2,8 mm 0103 312.20 |
| FEM6 V0 | th. 2,8 mm 0198 368.17 |
| FEM6 V0 | th. 2,8 mm 0199 302.07 |
| FEM6 V0 | th. 2,8 mm 0199 305.02 |
| FEM61 (2) | th. 3,0 mm 0114 776.23 |
| FEM6C (2) | th. 3,0 mm 0114 777.24 |
| SCMA5 | 0116 728.25 |
| SCF6 | th. 3,0 mm 0118 707.03 |
| SCF6 | th. 3,0 mm 0128 707.05 |
| SCF6 V0 | th. 3,0 mm 0198 707.04 |
| SCF61 | th. 3,0 mm 0114 202.25 |
| SCFM6 (2) | th. 3,0 mm 0114 825.05 |
| SCFEX1 (2) | th. 2,4 mm 0103 619.04 |
| SCFEX3 (2) | th. 2,4 mm 0103 620.01 |
| SCFCV1-2 (2) | th. 3,0 mm 0116 795.11 |
| SCFCV1-2 V0(2)V0 | th. 3,0 mm 0196 795.12 |
| CPM (for FEM6C, SCF6(V0) and SCFM6) | 0187 312.14 |
| CPV1-2 (for SCFCV1-2...) | 0176 816.12 |
| AL2 (1) | DIA. 2 mm 0163 046.24 |
| DCB | blue 0105 028.21 |
| FC2 | DIA. 2 mm 0007 865.26 |
| BJM5 (1) | 2 poles 0176 273.01 |
| BJM5 (1) | 3 poles 0176 274.02 |
| BJM5 (1) | 4 poles 0176 275.03 |
| BJM5 (1) | 5 poles 0176 276.04 |
| BJM5 (1) | 10 poles 0176 277.05 |
| BJM5 (1) | 2 poles 0176 278.16 |
| BJM5 (1) | 3 poles 0176 279.17 |
| BJM5 (1) | 4 poles 0176 280.05 |
| BJM5 (1) | 5 poles 0176 281.22 |
| BJM5 (1) | 10 poles 0176 282.23 |
| BJS5 (1) | 20 poles 0177 652.06 |
| EV5 | 0168 629.16 |
| EL6 | 0173 627.21 |
| BJE5.2 | 2 poles 0199 227.23 |
| BJE5.3 | 3 poles 0199 228.04 |
| BJE5.4 | 4 poles 0199 298.03 |
| BJE5.5 | 5 poles 0199 299.04 |
| BJE5.6 | 6 poles 0299 861.03 |
| BJE5.7 | 7 poles 0299 862.04 |
| BJE5.8 | 8 poles 0299 863.05 |
| BJE5.9 | 9 poles 0299 864.06 |
| BJE5.10 | 10 poles 0199 443.24 |
| BJB | 0199 466.23 |
| BJA5 | 10 poles 0205 021.26 |
| PC5 | 2 poles 0113 542.10 |
| PC5 | 10 poles 0113 544.12 |
| EIP | 0113 550.24 |
| CBM5 | th. 0,5 mm 0178 745.14 |
| CBM8 | th. 0,8 mm 0178 746.15 |
| EPU5 | 0107 033.10 |

R See section on marking method
 Note : (1) A circuit separator SC may be required with the use of these accessories.
 (2) End section and circuit separator snapped on rails.

X-ON Electronics

Largest Supplier of Electrical and Electronic Components

Click to view similar products for [entrelec](#) manufacturer:

Other Similar products are found below :

[023000012](#) [023103024](#) [023000107](#) [1SNK505310R0000](#) [011762822](#) [016511417](#) [016340320](#) [1SNK516020R0000](#) [023300421](#)

[1SNK510010R0000](#) [018731214](#) [011870703](#) [010500220](#) [011511607](#) [023300227](#) [016049626](#) [017666704](#) [1SNK508411R0000](#) [023300320](#)

[023300001](#) [016548827](#) [012511813](#) [017301610](#) [011546820](#) [010500127](#)