

## Features

- .187" (4.75mm) 3-Way Terminals Suitable for Plug-In, Solder and Quick Connect
- SPDT, DPDT & 3PDT
- Clear See-Thru Cover
- Flange Mount Versions (F-suffix)
- Push-to-Test Button Types (B-suffix)
- Indicator Lamp Types (N-suffix)



## AC OPERATED

NTE Type No.	Nom. Voltage	Contact Arr.	Coil Res. Ohms (Typ)	Nom. Power	Max. Contact Cur. @ 28VDC or 120VAC	Diag No.
R10-5A10-12	12VAC	SPDT	—	2.0VA	10A	D7A
R10-5A10-12B	12VAC	SPDT	—	2.0VA	10A	D7A
R10-5A10-12F	12VAC	SPDT	—	2.0VA	10A	D7B
R10-5A10-12N	12VAC	SPDT	—	2.0VA	10A	D7A
R10-5A10-24	24VAC	SPDT	—	2.0VA	10A	D7A
R10-5A10-24B	24VAC	SPDT	—	2.0VA	10A	D7A
R10-5A10-24F	24VAC	SPDT	—	2.0VA	10A	D7B
R10-5A10-24N	24VAC	SPDT	—	2.0VA	10A	D7A
R10-5A10-120	120VAC	SPDT	—	2.0VA	10A	D7A
R10-5A10-120B	120VAC	SPDT	—	2.0VA	10A	D7A
R10-5A10-120F	120VAC	SPDT	—	2.0VA	10A	D7B
R10-5A10-120N	120VAC	SPDT	—	2.0VA	10A	D7A
R10-11A10-12	12VAC	DPDT	—	2.0VA	10A	D7A
R10-11A10-12B	12VAC	DPDT	—	2.0VA	10A	D7A
R10-11A10-12F	12VAC	DPDT	—	2.0VA	10A	D7B
R10-11A10-12N	12VAC	DPDT	—	2.0VA	10A	D7A
R10-11A10-24	24VAC	DPDT	—	2.0VA	10A	D7A
R10-11A10-24B	24VAC	DPDT	—	2.0VA	10A	D7A
R10-11A10-24F	24VAC	DPDT	—	2.0VA	10A	D7B
R10-11A10-24N	24VAC	DPDT	—	2.0VA	10A	D7A
R10-11A10-120	120VAC	DPDT	—	2.0VA	10A	D7A
R10-11A10-120B	120VAC	DPDT	—	2.0VA	10A	D7A
R10-11A10-120F	120VAC	DPDT	—	2.0VA	10A	D7B
R10-11A10-120N	120VAC	DPDT	—	2.0VA	10A	D7A
R10-11A10-240	240VAC	DPDT	—	2.0VA	10A	D7A
R10-14A10-12	12VAC	3PDT	—	2.0VA	10A	D7A
R10-14A10-12B	12VAC	3PDT	—	2.0VA	10A	D7A
R10-14A10-12F	12VAC	3PDT	—	2.0VA	10A	D7B
R10-14A10-12N	12VAC	3PDT	—	2.0VA	10A	D7A
R10-14A10-24	24VAC	3PDT	—	2.75VA	10A	D7A
R10-14A10-24B	24VAC	3PDT	—	2.0VA	10A	D7A
R10-14A10-24F	24VAC	3PDT	—	2.75VA	10A	D7B
R10-14A10-24N	24VAC	3PDT	—	2.0VAC	10A	D7A
R10-14A10-120	120VAC	3PDT	—	2.75VA	10A	D7A
R10-14A10-120B	120VAC	3PDT	—	2.0VA	10A	D7A
R10-14A10-120F	120VAC	3PDT	—	2.75VA	10A	D7B
R10-14A10-120N	120VAC	3PDT	—	2.0VA	10A	D7A
R10-14A10-240	240VAC	3PDT	—	2.75VA	10A	D7A
R10-14A10-240B	240VAC	3PDT	—	2.0VA	10A	D7A
R10-14A10-240F	240VAC	3PDT	—	2.0VA	10A	D7B
R10-14A10-240N	240VAC	3PDT	—	2.0VA	10A	D7A

# R10 Series



## General Purpose, 10 Amp AC & DC Relays.

### DC OPERATED

NTE Type No.	Nom. Voltage	Contact Arr.	Coil Res. Ohms (Typ)	Nom. Power	Max. Contact Cur. @ 28VDC or 120VAC	Diag No.
R10-5D10-12	12VDC	SPDT	120	1.2W	10A	D7A
R10-5D10-12B	12VDC	SPDT	120	1.2W	10A	D7A
R10-5D10-12F	12VDC	SPDT	120	1.2W	10A	D7B
R10-5D10-12N	12VDC	SPDT	120	1.2W	10A	D7A
R10-5D10-24	24VDC	SPDT	470	1.2W	10A	D7A
R10-5D10-24B	24VDC	SPDT	470	1.2W	10A	D7A
R10-5D10-24F	24VDC	SPDT	470	1.2W	10A	D7B
R10-5D10-24N	24VDC	SPDT	470	1.2W	10A	D7A
R10-11D10-12	12VDC	DPDT	120	1.2W	10A	D7A
R10-11D10-12B	12VDC	DPDT	120	1.2W	10A	D7A
R10-11D10-12F	12VDC	DPDT	120	1.2W	10A	D7B
R10-11D10-12N	12VDC	DPDT	120	1.2W	10A	D7A
R10-11D10-24	24VDC	DPDT	470	1.2W	10A	D7A
R10-11D10-24B	24VDC	DPDT	470	1.2W	10A	D7A
R10-11D10-24F	24VDC	DPDT	470	1.2W	10A	D7B
R10-11D10-24N	24VDC	DPDT	470	1.2W	10A	D7A
R10-11D10-110	110VDC	DPDT	10K	1.2W	10A	D7A
R10-14D10-12	12VDC	3PDT	120	1.2W	10A	D7A
R10-14D10-12B	12VDC	3PDT	120	1.2W	10A	D7A
R10-14D10-12F	12VDC	3PDT	120	1.2W	10A	D7B
R10-14D10-12N	12VDC	3PDT	120	1.2W	10A	D7A
R10-14D10-24	24VDC	3PDT	470	1.2W	10A	D7A
R10-14D10-24B	24VDC	3PDT	470	1.2W	10A	D7A
R10-14D10-24F	24VDC	3PDT	470	1.2W	10A	D7B
R10-14D10-24N	24VDC	3PDT	470	1.2W	10A	D7A
R10-14D10-110	110VDC	3PDT	10K	1.2W	10A	D7A

## Electrical Specifications

### Contact

**Contact Rating:** 10 Amp @ 120 VAC/240 VAC, 28 VDC  
**Contact Material:** 3/16" Silver cadmium oxide

### Coil

**Coil Voltages:** See Chart

**Pick-up Voltage:** 75% of nominal or less for DC relays @ 25°C  
 85% of nominal or less for AC relays @ 25°C

**Resistance:** See chart

**Min Sensitivity:** 250 (DPDT), 375 (3PDT) mW per pole

**Duty Cycle:** Continuous

### Operational Characteristics

**Timing Values . . . . . Operate Time:** 15ms (SPDT)  
 20 mS (DPDT),  
 24 mS (3PDT) } at nominal  
**Release Time:** 10ms (SPDT) } coil voltage  
 28 mS (DPDT),  
 26 mS (3PDT)

### Insulation Characteristics

#### Dielectric Strength

**Contact To Coil:** 2000 VRMS  
**Across Open Contacts:** 500 VRMS  
**Pole to Pole:** 2000 VRMS  
**Contact To Frame:** 2000 VRMS

### Environmental Characteristics

**Operating:** -30°C to +50°C (AC), -30°C to +65°C (DC)

**Non-operating (storage):** -30°C to +100°C

### Weight

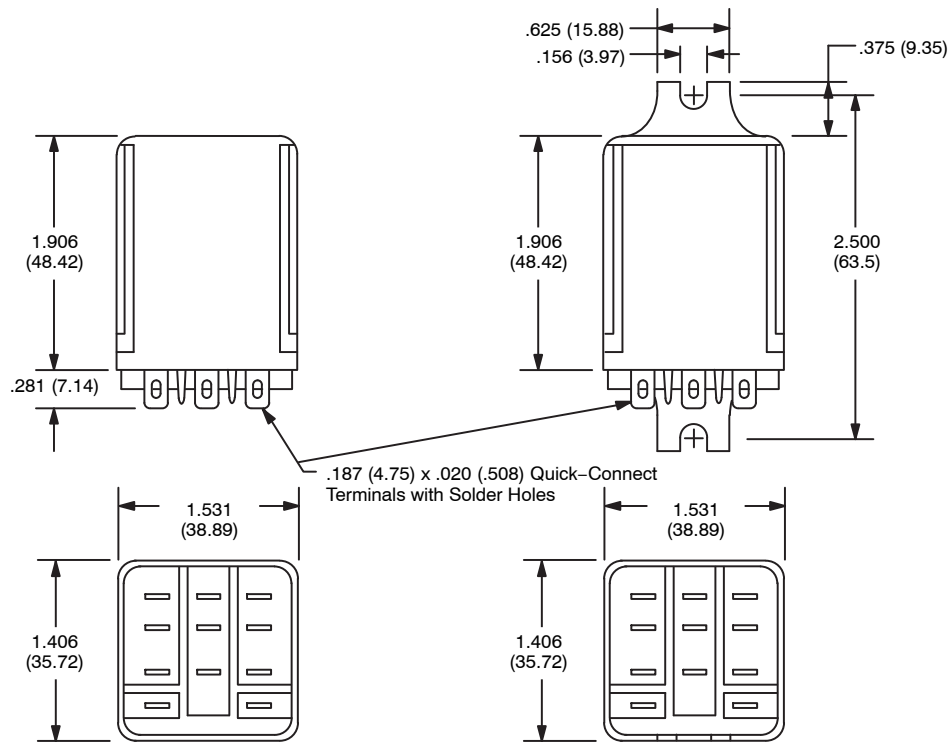
**Std:** 3.1 ozs (88 grams)—approx

# R10 Series (Continued)

ACCESSORIES		
MOUNTING STYLES	DESCRIPTION	NTE TYPE NO.
SURFACE MOUNT SCREW TERMINALS	11-PIN BLADE	R95-105
PANEL MOUNT SOLDER TERM	11-PIN BLADE	R95-116
PANEL MOUNT QUICK CONNECT	11-PIN BLADE	R95-124
DIN RAIL MOUNT	11-PIN BLADE	R95-115
PC MOUNT	11-PIN BLADE	R95-123

## D7A Standard Cover

## D7B Flange Cover

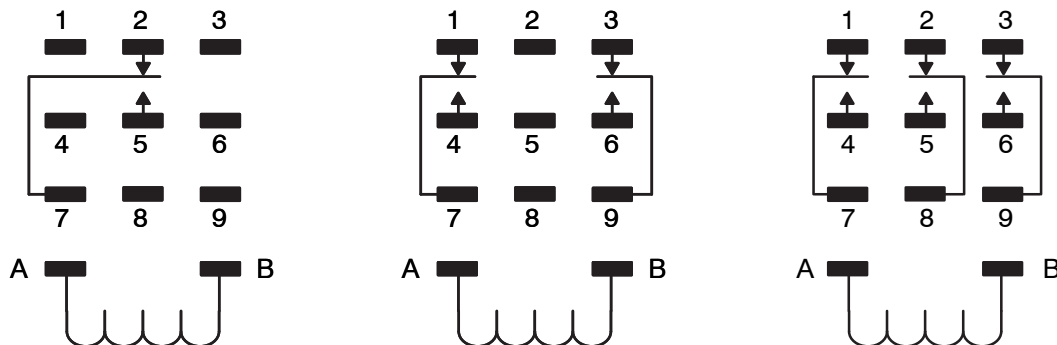


**Note:** Models with "N" suffix will have indicator lamp connected across coil.

### SPDT, 1 Form "C"

### DPDT, 2 Form "C"

### 3PDT, 3 Form "C"



Schematic Diagrams Viewed from Terminal End

## X-ON Electronics

Largest Supplier of Electrical and Electronic Components

*Click to view similar products for [General Purpose Relays](#) category:*

*Click to view products by [NTE](#) manufacturer:*

Other Similar products are found below :

[APF30318](#) [JVN1AF-4.5V-F](#) [PCN-105D3MHZ](#) [5JO-10000S-SIL](#) [5JO-1000CD-SIL](#) [5JO-400CD-SIL](#) [LY2S-AC220/240](#) [LYQ20DC12](#)  
[6031007G](#) [6131406HQ](#) [6-1393099-3](#) [6-1393099-8](#) [6-1393122-4](#) [6-1393123-2](#) [6-1393767-1](#) [6-1393843-7](#) [6-1415012-1](#) [6-1419102-2](#) [6-](#)  
[1423698-4](#) [6-1608051-6](#) [6-1608067-0](#) [6-1616170-6](#) [6-1616248-2](#) [6-1616282-3](#) [6-1616348-2](#) [6-1616350-1](#) [6-1616350-8](#) [6-1616358-7](#) [6-](#)  
[1616359-9](#) [6-1616360-9](#) [6-1616931-6](#) [6-1617039-1](#) [6-1617052-1](#) [6-1617090-2](#) [6-1617090-5](#) [6-1617347-5](#) [6-1617353-3](#) [6-1617801-8](#) [6-](#)  
[1617802-2](#) [6-1618107-9](#) [6-1618248-4](#) [M83536/1-027M](#) [CX-4014](#) [MAHC-5494](#) [MAVCD-5419-6](#) [703XCX-120A](#) [7-1393100-5](#) [7-1393111-7](#)  
[7-1393144-5](#) [7-1393767-8](#)