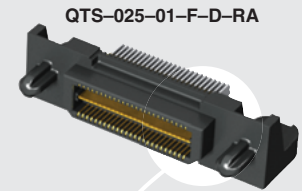


QTS-050-01-F-D-RA-WT



QTS-025-01-F-D-RA

**QTS-RA SERIES**

(0,635 mm) .025"

# RIGHT ANGLE GROUND PLANE HEADER

## SPECIFICATIONS

For complete specifications and recommended PCB layouts see [www.samtec.com?QTS-RA](http://www.samtec.com?QTS-RA)

**Insulator Material:**  
Liquid Crystal Polymer  
**Terminal Material:**  
Phosphor Bronze  
**Plating:**

Au or Sn over  
50µ" (1,27 µm) Ni  
**Current Rating:**

Contact:  
2 A per pin  
(1 pin powered per row)  
Ground Plane:  
15.7 A per ground plane  
(1 ground plane powered)

**Operating Temp Range:**  
-55°C to +125°C

**Voltage Rating:**  
275 VAC mated with QSS-RA  
**RoHS Compliant:**  
Yes

**Processing:**  
**Lead-Free Solderable:**  
Yes

**SMT Lead Coplanarity:**  
(0,10 mm) .004" max (025-075)

## RECOGNITIONS

For complete scope of recognitions see [www.samtec.com/quality](http://www.samtec.com/quality)



FILE NO. E11594

## ALSO AVAILABLE (MOQ Required)

- 30µ" (0,76 µm) Gold
- Differential Pair
- "Partitionable" (combine differential & single-ended banks in same connector)
- Lead Style for (2,36 mm) .093" thick board
- -LS1 Locking Screw (Mates with QSS-RA-LS1)
- -LS2 Locking Screw (Mates with QSS-LS2)
- 100 positions per row
- Contact Samtec.

**Note:** Some lengths, styles and options are non-standard, non-returnable.

**Board Mates:**  
QSS

QTS-RA/QSS-RA	Type	Rated @ 3dB Insertion Loss*
Single-Ended Signaling	-D	4.50 GHz / 9 Gbps
Differential Pair Signaling	-D	4.50 GHz / 9 Gbps
QTS-RA/QSS	Type	Rated @ 3dB Insertion Loss*
Single-Ended Signaling	-D	5.5 GHz / 11 Gbps
Differential Pair Signaling	-D	6.0 GHz / 12 Gbps

\*Performance data includes effects of a non-optimized PCB.  
Complete test data available at [www.samtec.com?QTS-RA](http://www.samtec.com?QTS-RA) or contact [sig@samtec.com](mailto:sig@samtec.com)

Integral metal plane for power or ground

Right Angle

Selectively plated



Guide Post

## APPLICATIONS



HORIZONTAL



PERPENDICULAR



-025, -050, -075  
(50 total positions per bank)

-F  
= Gold Flash on Signal Pins and Ground Plane, Matte Tin on tails

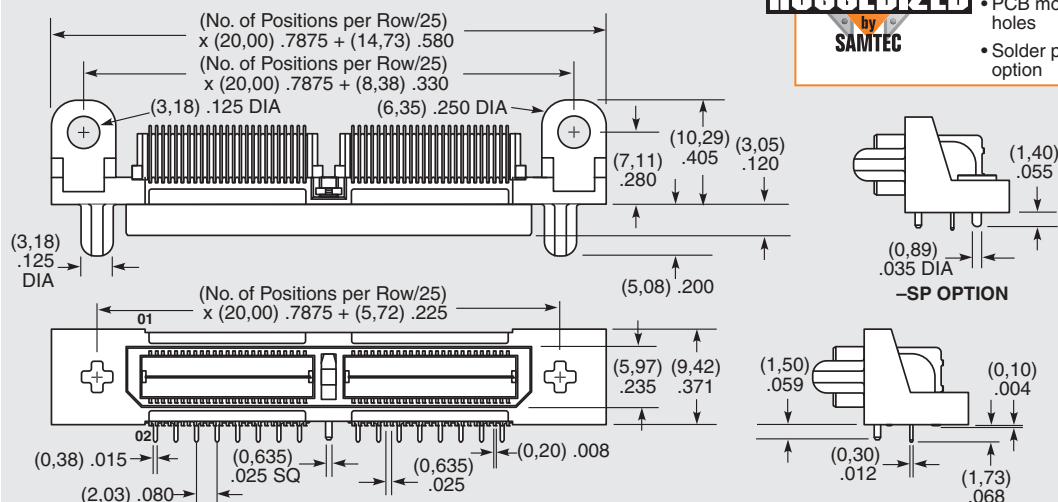
-L  
= 10µ" (0,25 µm) Gold on Signal Pins and Ground Plane, Matte Tin on tails

-WT  
= Weld Tab (Not available on 25 positions)

-SP  
= Solder Pin



- Guide posts
- Weld tabs
- PCB mounting holes
- Solder pin option



## X-ON Electronics

Largest Supplier of Electrical and Electronic Components

*Click to view similar products for [Headers & Wire Housings](#) category:*

*Click to view products by [Samtec](#) manufacturer:*

Other Similar products are found below :

[95000-104TRLF](#) [10135584-644402LF](#) [DF62W-EP2022PCA](#) [95000-106TRLF](#) [DF62W-2022SCA](#) [DF62W-EP2022PC](#) [2203348](#) [DF62W-2022SC](#) [1084018](#) [1029039](#) [1084017](#) [802-10-012-10-002000](#) [1112640](#) [1112639](#) [000-34000](#) [0009482033](#) [0009507031](#) [57102-S06-03LF](#) [57202-S52-04LF](#) [PCN6-15S-2.5E](#) [0039019024](#) [58102-G61-06LF](#) [582553-1](#) [0009485154](#) [0009508121](#) [0022285053](#) [0050291907](#) [018731A](#) [LY20-4P-DT1-P1E-BR](#) [02.125.8002.8](#) [60101931](#) [60598-1 \(Cut Strip\)](#) [M1625-3R/100](#) [61062-3](#) [61082-181009](#) [636-1427](#) [638009-1](#) [641938-9](#) [641991-4](#) [644168-1](#) [647662-1](#) [65039-019ELF](#) [65781-018](#) [65781-047](#) [65817-002LF](#) [65817-015LF](#) [65863-015LF](#) [66207-023LF](#) [67016-026LF](#) [67046-001LF](#)