

För icke direkt toleranssatta mått gäller toleransklass
General tolerances if not otherwise stated

NOM DIM MM		TOL CLASS		
From	To	A	B	C
(1)	6	±0.05	±0.1	±0.2
(6)	30	±0.1	±0.2	±0.5
(30)	100	±0.15	±0.3	±0.8
(100)	300	±0.2	±0.5	±1.2
(300)	1000	±0.3	±0.8	±2

Hål / Holes H13

Skarpa kanter brutna där ej annat anges.
No sharp edges unless otherwise specified.

Övriga generella toleranser enligt ritning 4100-4644.
Additional general tolerances in accordance with drawing 4100-4644.

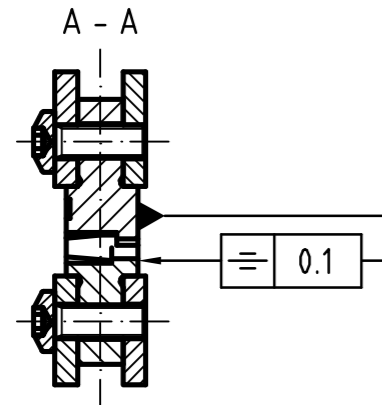
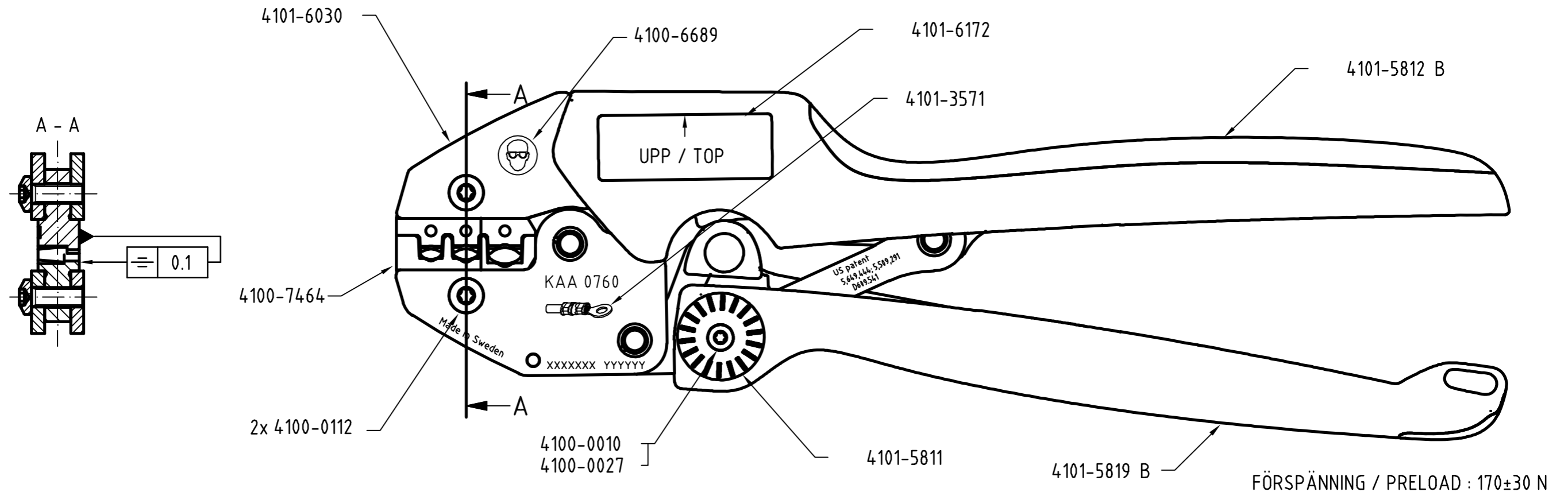
LASERMÄRKNING/LASER MARKING:

TEXTFONT: GEN-ISO

Datumkod / Date code "YYYYYY"

Serienummer / Serial number "XXXXXXX"

Rev	Change order	Change: A = Added W = Was D = Deleted C = Changed	Date	Sign
4	1055368000	C 4101-6507N 1044635001 W 1044635000	111025	SE



4101-2610
4101-5828
4101-6507 N - placering position A \triangle
4101-6301
TILLTRYCK PÅ KORT (4101-6301) ENLIGT OMT DOKUMENT NR.:1044635001 \triangle
PRINTING ON CARD (4101-6301) ACCORDING TO OMT DOCUMENT NO.:1044635001 \triangle

TOLKMÅTT / GAUGE DIMENSIONS :		
URTAG NEST	GÅTOLK GO	STOPPTOLK NO GO
RÖD/RED	∅ 2.36	∅ 2.56
BLÅ/BLUE	∅ 2.56	∅ 2.76
GUL/YELLOW	∅ 3.55	∅ 3.75

Packas enligt förpackningsritning 4101-2741
Packed according to drawing 4101-2741

Material		Behandling/Treatment			Status	
Konstr/Design MANO	Ritad/Drawn MANO	Datum/Date 2011-10-25	Skala/Scale 1:1	Kontr/Checked IP	Godk/Approved NE	Frisläppt
pressmaster ®				Benämning/Denomination Krimptång KAA 0760		Vikt/Weight,gram 012
REG NR FM13647				CRIMPING TOOL		Art grp 012
Ritn nr/Drawing no 43003686					REV 004	

Den här ritning är Pressmaster AB:s egendom. Skyddad av gällande lag.
This drawing is the property of Pressmaster AB. Protected in accordance with prevailing law.

X-ON Electronics

Largest Supplier of Electrical and Electronic Components

Click to view similar products for [pressmaster](#) manufacturer:

Other Similar products are found below :

[PMP4080](#) [4300-3127](#) [4300-3138](#) [4300-3164/AAA](#) [4300-0021](#) [4300-3687](#) [PMP4080D-RJ11](#) [4320-0013](#) [4300-0313](#) [4300-1013](#) [4300-3258/AAA](#) [4300-0099](#) [4300-3047](#) [4300-3140](#) [4300-3836](#) [4300-3706](#) [4300-4006 RIGIDUS](#) [4300-3128](#) [4300-4165](#) [4300-3151](#) [4300-3425](#) [4300-3692](#) [4320-0017](#) [4300-3144](#) [4300-3146](#) [4300-3147](#) [RIGIDUS LOCATOR \(PRESSMASTER STANDARD\)](#) [4300-3136](#) [4300-4662](#) [4300-3149](#) [4300-3150](#) [4300-4661](#) [4300-4889](#) [4300-3428](#) [4320-0669](#) [4320-0613](#) [4320-0617](#) [4320-0618](#) [4320-1016](#) [4320-0615](#) [4320-0614](#) [4320-0622](#) [4320-0623](#) [4320-0612](#)