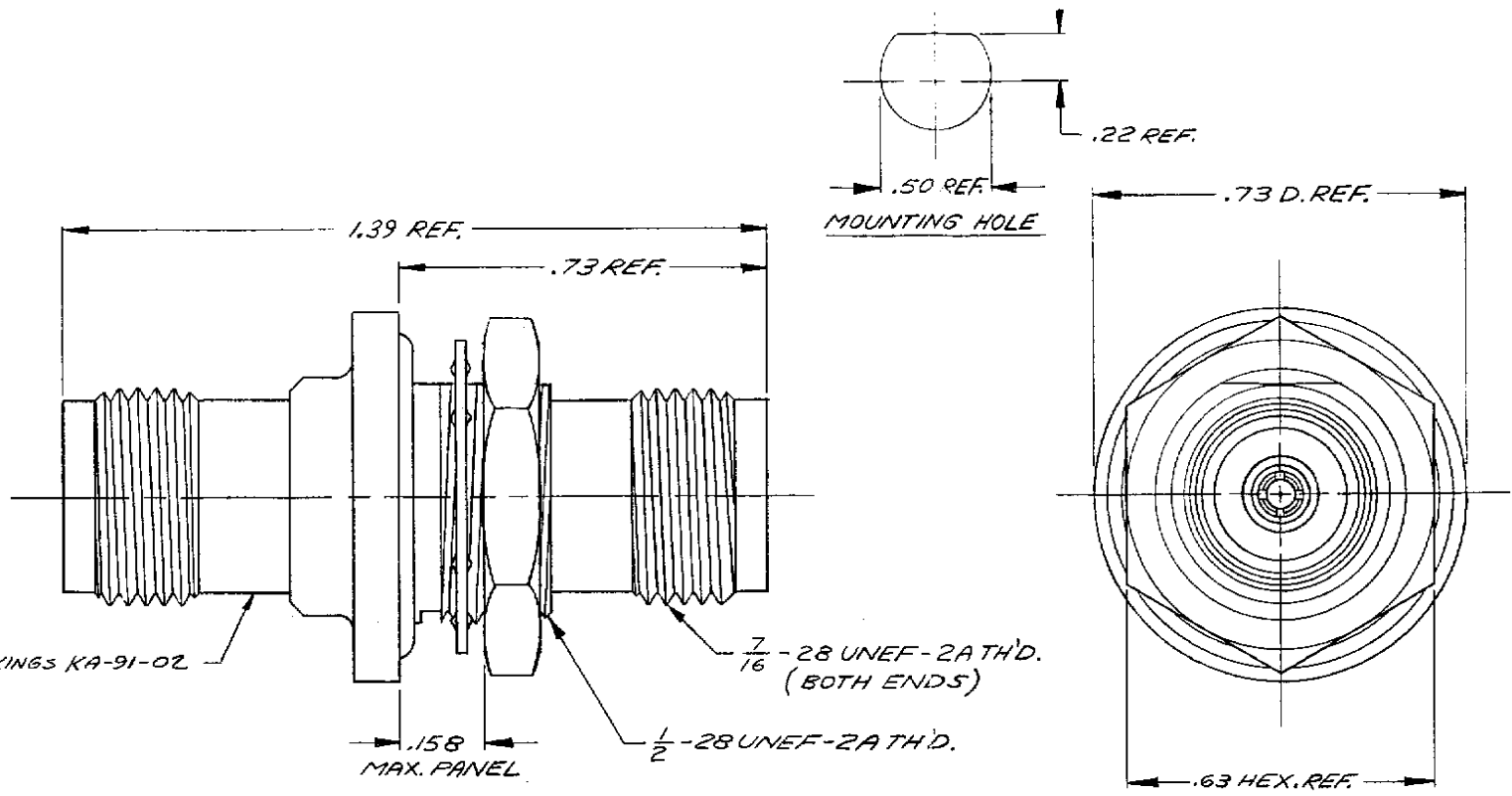


ISSUE	CHANGES
4	CN 19024 C LX 6 MAR 79
5	CN 23929 C MD 9 NOV 82

KA-91-02

GSD

GSD



STAMP: KINGS KA-91-02

NOTES:

- MATERIALS:**
 - CENTER CONTACTS - BERYLLIUM COPPER, QQ-C-530.
 - GLASS - DOW CORNING EI #10.
 - GLASS SEAL { BAND - CRS STEEL.
 - CENTER CONDUCTOR - NICKEL STEEL.
 - LOCKWASHER - PHOSPHOR BRONZE, QQ-P-330.
 - ALL OTHER METAL PARTS - BRASS, QQ-B-626.
 - INSULATORS - TEFLON, L-P-403.
 - O-RING - SYNTHETIC RUBBER GRADE RS-415 PER MIL-R-3065.
- FINISHES:**
 - GLASS SEAL (BAND & CENTER CONTACT) - HOT TIN DIP
 - CENTER CONTACTS - SILVER PLATE .0002 MIN. PER QQ-S-365
 - ALL OTHER METAL PARTS - SILVER PLATE .0001 MIN. PER QQ-S-365

- ELECTRICAL CHARACTERISTICS:**
 - NOMINAL IMPEDANCE - 50 Ω
 - FREQUENCY RANGE - DC TO 11GHz
 - WORKING VOLTAGE - 500 VOLTS RMS
- LEAKAGE RATE SHALL NOT EXCEED 10⁻⁷ CC/SECOND OF TRACER GAS AT ATMOSPHERIC PRESSURE.**

UNLESS OTHERWISE SPECIFIED:

- | | |
|--------------------------------------------------------------------------------------------|--------------------------------------------------|
| 1. TOLERANCES: FRACTIONS & 2 PLACE DECIMALS ± .010 | 2. REMOVE ALL BURRS, BREAK SHARP EDGES .005 MAX. |
| 3 PLACE DECIMALS ± .004 | 3. NO FILLETS PERMITTED. |
| ANGLES ± 0°30' | 4. SURFACE ROUGHNESS 63 MICROINCHES RMS MAX. |
| T. I. R. CONCENTRICITY OF ANY 2 DIAMETERS MAY NOT EXCEED HALF THE SUM OF THEIR TOLERANCES. | 5. ALL DIMENSIONS PRIOR TO PLATING. |
| | 6. ALL PLATING IN ACCORDANCE WITH KER 10004. |

SCALE 4:1	
APPROX SURFACE AREA	
USED ON:	
REF	
TNC BULKHEAD ADAPTER F-F (HERM) SEALED	
DRAWN GL	DATE 16 NOV 81
APPR. MJB	DATE 19 NOV 81
KA-91-02	

GSD

X-ON Electronics

Largest Supplier of Electrical and Electronic Components

Click to view similar products for [kings manufacturer](#):

Other Similar products are found below :

[875-57-1](#) [125-94-9](#) [126-12-5](#) [2025-38-9](#) [KA-19-156](#) [KA-89-92-M06](#) [KC-59-509](#) [KD-79-19](#) [KN-19-151](#) [KP-8010-740-400](#) [2431-84-11](#)
[KTH-2003](#) [KTH-2011](#) [2065-6-9](#) [2431-89-11](#) [UG-27D/U](#) [KA-59-351M07](#) [KA-79-56](#) [KA-99-57](#) [KC-59-122](#) [KC-59-485](#) [KC-79-67](#) [KC-89-](#)
[87](#) [KN-59-104](#) [KTH-2087](#) [KTH-2138](#) [KTH-2168](#) [KV-19-13](#) [UG-701A/U](#) [KC-59-195](#) [KTH-2101](#) [KTH-5000](#) [122-32-5](#) [KA-81-04](#) [KP-](#)
[8010-730-400](#) [KTH-2023](#) [KTH-2024](#) [KTH-2105](#) [KTH-2111](#) [KTH-2127](#) [KTH-2185](#) [KTH-2325](#) [7702-9](#) [7703-6](#) [7705-3](#) [1205-69-5](#) [E-3511-](#)
[M99](#) [KP-8040-006-000](#) [KP-9005-000-090](#) [KP-9211-070-009](#)