

NOTES:

1. ROHS COMPLIANT

2. PLASTIC HOUSING: THERMOPLASTIC MATERIAL WITH FLAMMABILITY RATING UL 94V-0 OR BETTER.

3. CONTACTS PLATING: 15 MICRONS GOLD PLATING.

4. USB CONTACTS PLATING: 30 MICRONS GOLD PLATING.

CONTACTS BASE MATERIAL: PHOSPHOR BRONZE

5. UNDER PLATING: 50-100u INCHES NICKEL

6. SOLDER TAIL PLATING : 150 UINCHES 100% TIN, MATTE FINISH.

7. METAL SHIELD: NICKEL PLATING ON COPPER ALLOY.

8. JACK CAVITY CONFORMS TO FCC PART 68 SUBPART.

9. PCB PLATING: HASL

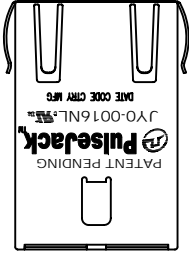
10. STORAGE TEMPERATURE: -20°C TO +125°C

11. COMPLIANCE TO J-STD:

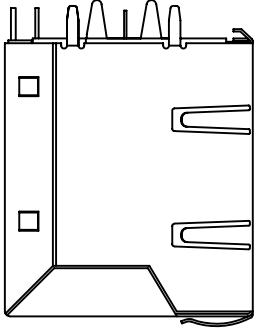
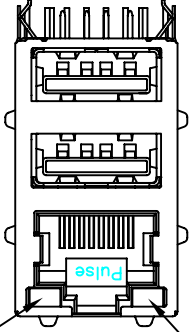
A. J-STD-002: SOLDERABILITY AT 245°C DIP AND LOOK TEST

B. J-STD-020: LEVEL 1, NO MOISTURE SENSITIVE

C. J-STD-075: W2, 270°C MAXIMUM THROUGH WAVE SOLDER

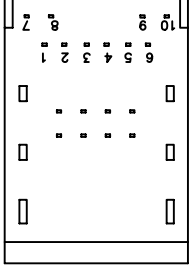


BICOLOR GREEN/ORANGE
YELLOW



FINAL OUTLINE

BOTTOM VIEW



PRODUCT DESCRIPTION	TLA DRAWING	PS DRAWING	SHEET	PART NO.	DATASHEET REV.
CONN,RJ45/USB,100D,1:1,TY	JY0-0016NL-12	PS-2148.004-A	1 OF 4	JY0-0016NL	A

© Copyright, 2014, Pulse Electronics Corp. All rights reserved. Pulse confidential & proprietary. (05/13/14)

PRODUCT DESCRIPTION	TLA DRAWING	PS DRAWING	SHEET	PART NO.	DATASHEET REV.
CONN,RJ45/USB,USB,100D,1:1,TX	JY0-0016NL-12	PS-2148.004-A	2 OF 4	JY0-0016NL	A

NOTE: PER VENDOR'S SPECIFICATION

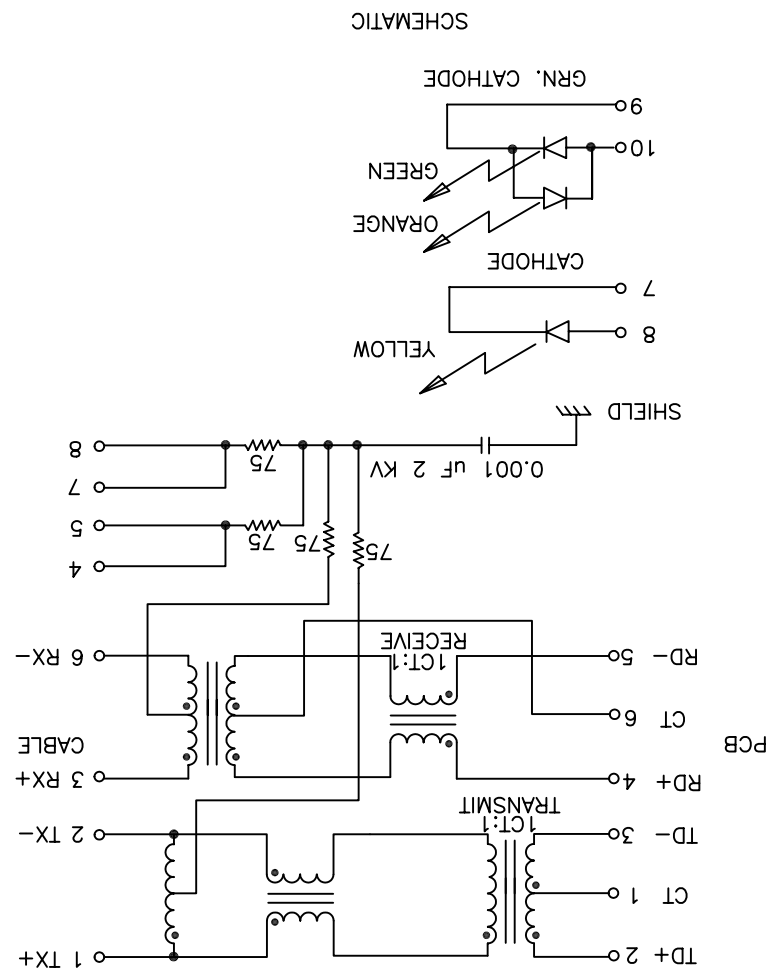
EMMITTED COLOR	YELLOW	GREEN	ORANGE
WAVELENGTH (nm)	585 nm	568 nm	610 nm
BRIGHTNESS - TYP (mcd)	10	8.5	6
BRIGHTNESS - TYP (mA)	20	20	20
VIEWING ANGLE	100°	100°	100°
POWER DISSIPATION (Pd)	68 mW MAX	100 mW MAX	80 mW MAX
PEAK FORWARD CURRENT(10 US PULSE)	150 mA MAX	150 mA MAX	150 mA MAX
FORWARD VOLTAGE (Vf) (If = 20mA)	2.0 TO 2.5 VOLTS	2.0 TO 2.5 VOLTS	2.0 TO 2.5 VOLTS

BICOLOR

NOTE: f IS FREQUENCY IN MHZ.

PARAMETER	SPECIFICATIONS	
OPERATING TEMP	0°C - 70 °C	
TURNS RATIO	1 : 1 ±2%	
POLARITY	PER SCHEMATIC	
INSERTION LOSS	100 KHZ	-1.25 MHZ
		-0.2-0.002*f ^{1.4} DB MAX
RETURN LOSS	.1-30 MHZ	30-60 MHZ
		-10+20*LOG ₁₀ (f/60 MHZ) DB MIN
INDUCTANCE (OCL)	350 uH MIN	(MEASURED AT 100 KHZ, 100 mVRMS) (AND WITH 8 mA DC BIAS)
		10-100 MHZ
CROSSTALK, ADJACENT CHANNELS	-50 DB MIN	-55+22*LOG ₁₀ (f/10) DB MIN
	2 MHZ	30-200 MHZ
COMMON MODE REJECTION RATIO	-50 DB MIN	-15+20*LOG ₁₀ (f/200) DB MIN
		1500 VRMS MIN @ 60 SECONDS

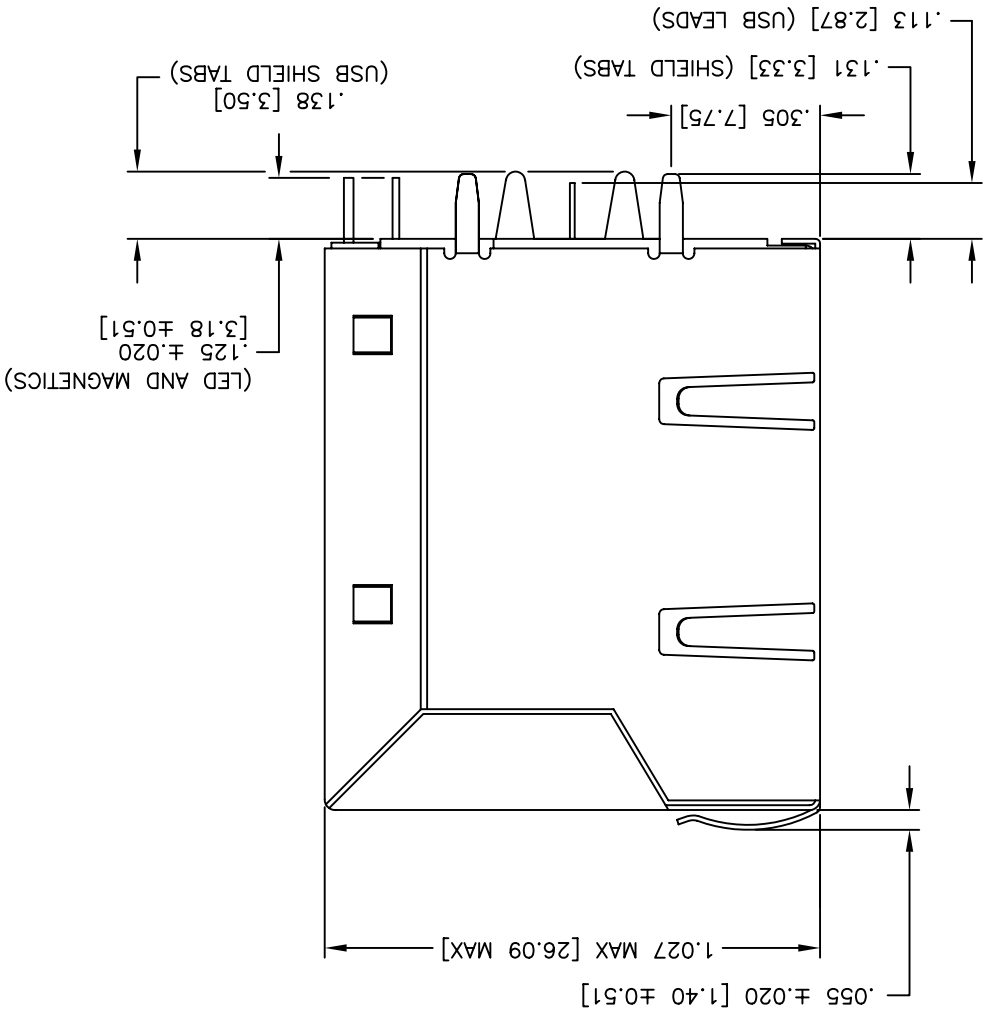
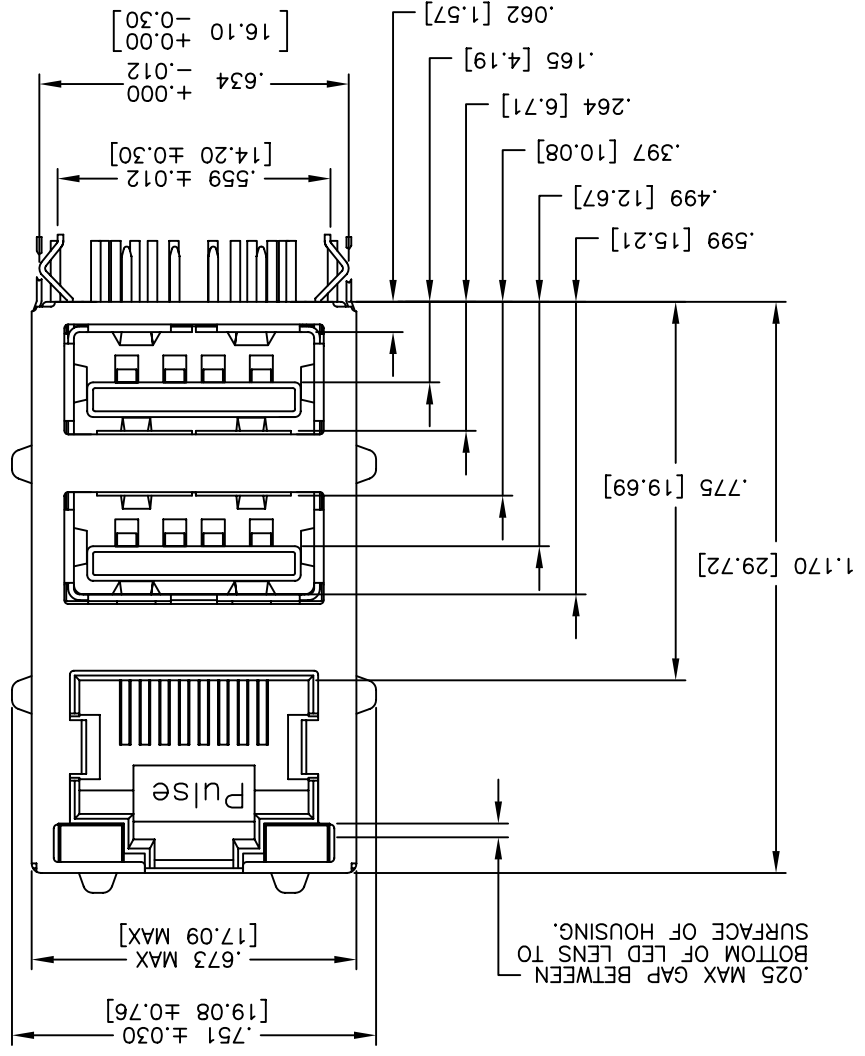
ELECTRICAL CHARACTERISTICS AT +25°C UNLESS OTHER SPECIFIED MEETS IEEE 802.3 SPECIFICATION

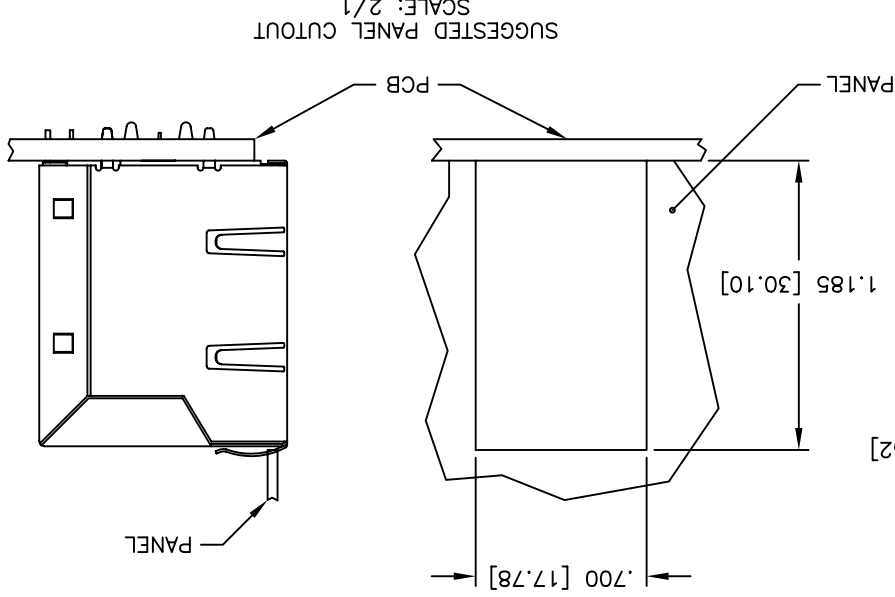
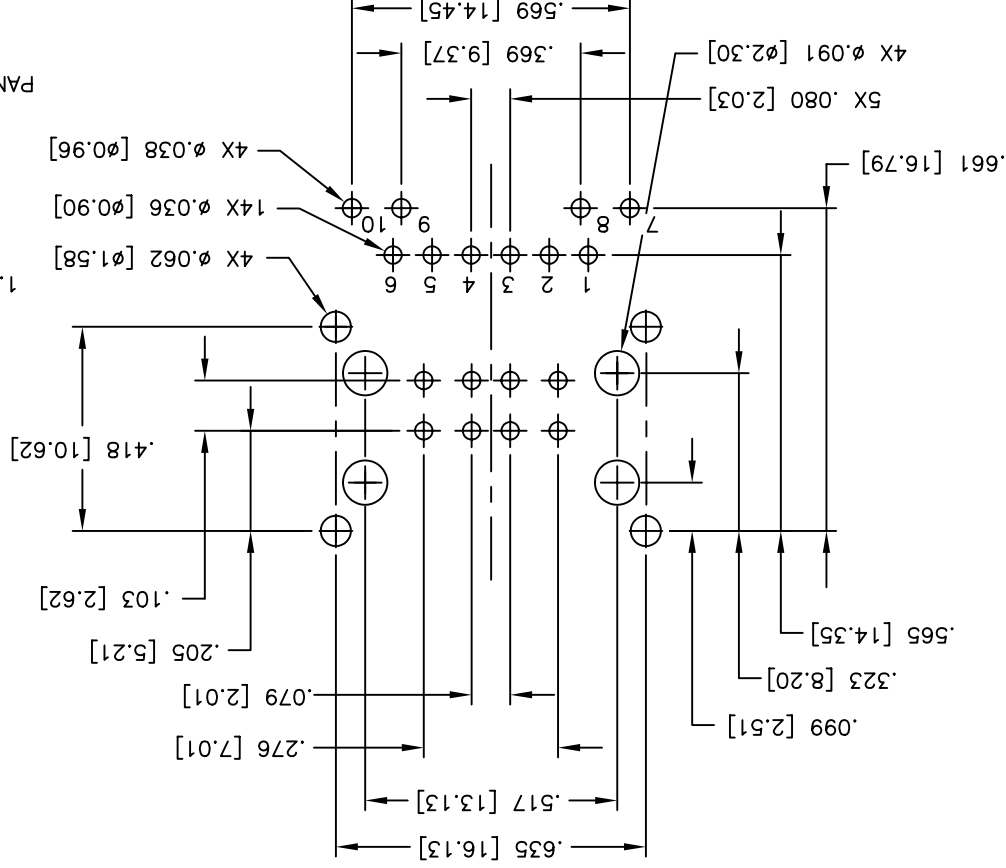


PRODUCT DESCRIPTION	TLA DRAWING	PS DRAWING	SHEET	PART NO.	DATE SHEET REV.
CONN,RJ45/USB,USB,100D,1:1,TY	JY0-0016NL-12	PS-2148.004-A	3 OF 4	JY0-0016NL	A

© Copyright, 2014, Pulse Electronics Corp. All rights reserved. Pulse confidential & proprietary. (05/13/14)

DIMENSIONS ARE IN INCHES [MILLIMETERS] WITH THE FOLLOWING TOLERANCES: [MILLIMETERS] ARE FOR REFERENCE ONLY.
 .XX = ±.010 [±0.25]





SUGGESTED FOOTPRINT (SHOWN FROM COMPONENT SIDE)

DIMENSIONS ARE IN INCHES [MILLIMETERS] WITH THE FOLLOWING TOLERANCES: [MILLIMETERS] ARE FOR REFERENCE ONLY.
 $.XX = \pm 0.03$ [± 0.08]

© Copyright, 2014, Pulse Electronics Corp. All rights reserved. Pulse confidential & proprietary. (05/13/14)

PRODUCT DESCRIPTION	TLA DRAWING	PS DRAWING	SHEET	PART NO.	DATA SHEET REV.
CONN,RJ45/USB,USB,100D,1:1,TY	JY0-0016NL-12	PS-2148.004-A	4 OF 4	JY0-0016NL	A

X-ON Electronics

Largest Supplier of Electrical and Electronic Components

Click to view similar products for [USB Connectors](#) category:

Click to view products by [Pulse](#) manufacturer:

Other Similar products are found below :

[10033527-N3112MLF](#) [17-210561](#) [GMCB05B11124H1EU](#) [17-200931](#) [65-647-8-BK-BU](#) [690-010-295-484](#) [73725-1191BLF](#) [950](#) [E8144-B01021-L](#) [A-USB A-LP-SMT-C](#) [A-USB B-TOP-C](#) [MUSBA511N5](#) [MUSBB15131](#) [MUSBC111M5](#) [MUSBD11135](#) [217450-1](#) [CA 6 W LD](#)
[896-30-004-00-000000](#) [KUSBVX-BS1N-W30](#) [KUSBX-AP-KIT-SCBLK](#) [KUSBX-AS2N-W](#) [KUSBX-SMT2AP1S-W](#) [KUSBX-SMTBS1NBTR](#) [30-498-6](#) [SK-60A-2](#) [17-200261](#) [17-210051](#) [1734082-1](#) [FK-37-32SL](#) [30-1574](#) [30-470](#) [30-489](#) [30-572-3](#) [30-9503](#) [M9177/2-1](#) [MAB 5 S](#) [MIKROE-1451](#) [33UBBR-04SW11R](#) [USBFTV2PEM2G](#) [USBFTVC6ZN](#) [USBFTVSCCG](#) [KUSBX-AS2N-W30](#) [KUSBX-SLAS1N-W](#) [KUSBX-SLAS1N-W30](#) [1-1734084-2](#) [E8110-001-01](#) [MUSBC11135](#) [33UBAR-04SW11](#) [USBF21ZNSCC](#) [USBBFTV6ZC](#)