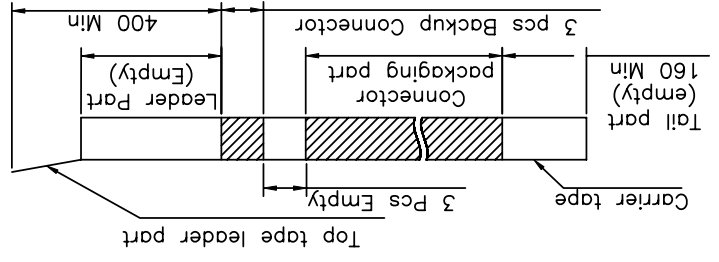


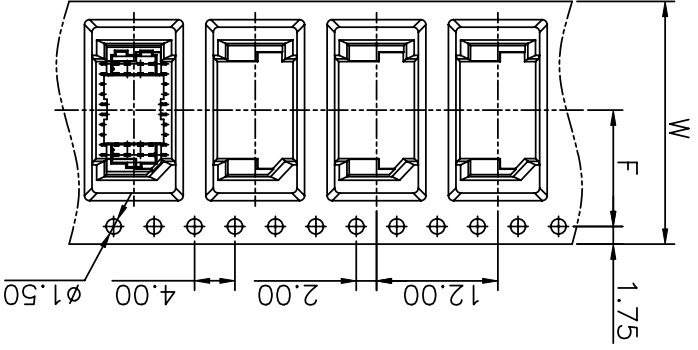
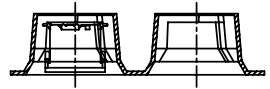


Number of Contacts	WF±0.3	F±0.1	S±0.1	Q'/Reel
2X05P	24	11.50	1,000	1,000
2X06P	24	11.50	1,000	1,000
2X08P	24	11.50	1,000	1,000
2X10P	24	11.50	1,000	1,000
2X20P	44	20.20	40.40	1,000
2X25P	44	20.20	40.40	1,000

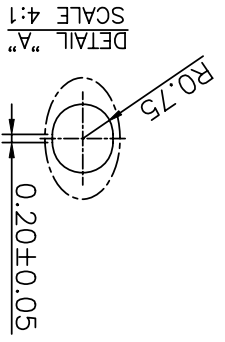
NOTE:  
Material:Transparent  
Anti-static Polystyrene.



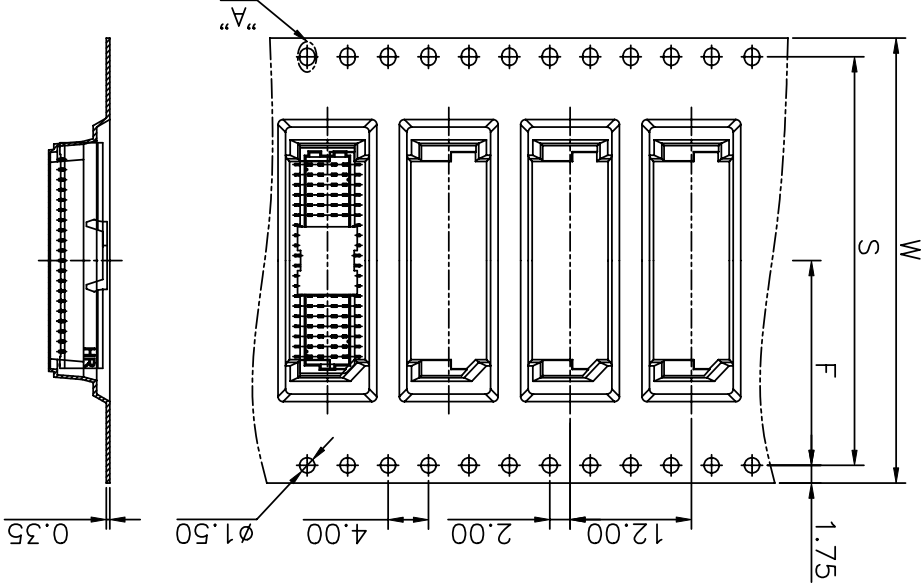
Unreeling direction



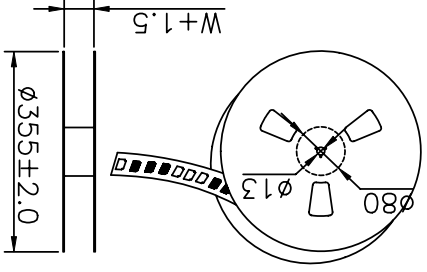
2X05~2X10 Contacts



Unreeling direction



2X20~2X25 Contacts



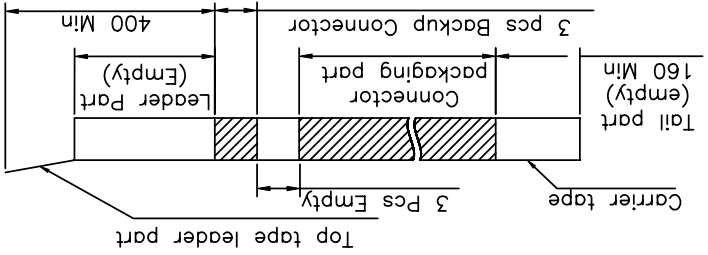
REV.	DESCRIPTION	DATE	NAME	DATE	DESCRIPTION
B4	EN1203080049	2012.03.26	謝金綠	X.XX±0.25	ANGLE
B3	EN1007020220	2010.07.02	陳敏	X.XX±0.15	GENERAL TOLERANCE
B4				X.XX±0.05	

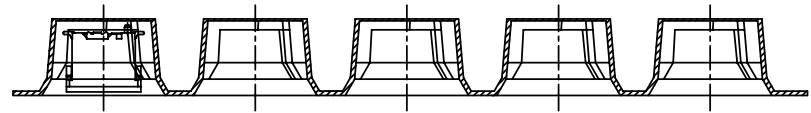
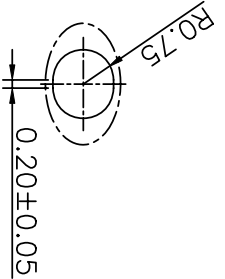
UNIT	SHEET	SCALE	TITLE:
mm	1 : 1 2 of 3		1.00mm PITCH
DRAWN BY	APPROVED BY		180° DUAL ROW WAFER-SMT TYPE, W/O BOSS, TAPING SPEC.
2004.11.15	2004.11.15		DRAW NO.: A1001WV-S-2XNP
修正一	修正一		REV. B4

燦達電子工業股份有限公司  
JOINT TECH ELECTRONIC IND. CO., LTD.

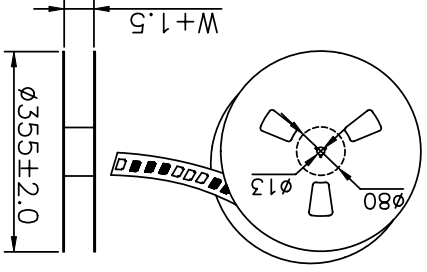
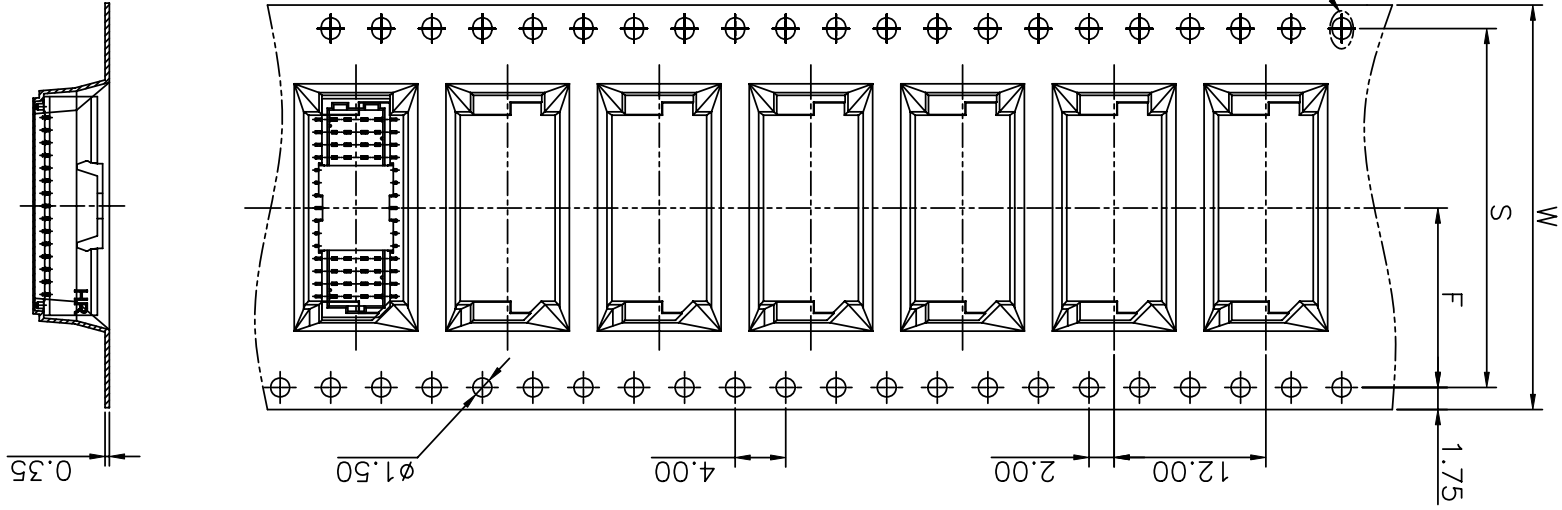
2X15P	32	14.20	28.40	1,000
Number of Contacts	WF±0.3	FF±0.1	S±0.1	Q'ty/Reel



DETAIL "A"  
SCALE 4:1



2X15 Contacts



NOTE:  
Material: Transparent  
Anti-static Polystyrene.

REV.	B4	DESCRIPTION	EN1203080049	DATE	2012.03.26	NAME	謝金發	X.XXX±0.05
REV.	B4							X.XX±0.15
REV.	B4							X.X±0.25
DRAWN BY		謝金發		2012.03.26		GENERAL TOLERANCE		ANGLE
APPROVED BY		謝金發		2012.03.26		DRAWN NO.		A1001WV-S-2XNP
SCALE		1:1		3 of 3		TITILE:		1.00mm PITCH
SHEET		1		3		JOINT TECH ELECTRONIC IND. CO., LTD.		燦達電子工業股份有限公司

180° DUAL ROW WAFER-  
SMT TYPE, W/O BOSS,  
TAPING SPEC.

4 | 3 | 2 | 1

## X-ON Electronics

Largest Supplier of Electrical and Electronic Components

*Click to view similar products for [I/O Connectors](#) category:*

*Click to view products by [Joint manufacturer](#):*

Other Similar products are found below :

[571763P](#) [58098-0628](#) [61-168618-12P](#) [D38999/20FJ29SB L/C](#) [72.250.1628.2](#) [72.250.2428.2](#) [74720-0505](#) [747680210](#) [76.350.0729.0](#) [76871-1403](#) [FCN-244F080-G/1](#) [FCN-260A9920](#) [FCN-268D024-G/2F#10X-R10](#) [MP-5T180MUNNA-005](#) [MP-5XRJ45UNNB-003](#) [PCS-E50FA](#) [PCS-XE26LKA](#) [PCS-XE26MA+](#) [PCS-XES68MS+](#) [G38A71314B](#) [91-569719-35R](#) [9776-18-6](#) [DX40-50P\(55\)](#) [1571250010](#) [157-22500-3](#) [MS3471L14-19P L/C](#) [171224-6031](#) [1888020-8](#) [91-569786-35H](#) [91-569786-35M](#) [91-644626-35P](#) [172501-4002](#) [172501-6002](#) [FCN-260C008-A/L0](#) [FCN-260C024-AL0](#) [FCN-261Z008](#) [FCN-268D008-G/1K](#) [2000314-1](#) [200331-1](#) [2007498-2](#) [PCR-E28LMDAG1+](#) [PCR-E36FC+](#) [PCS-E28FS+](#) [PCS-XE26SLFD+](#) [PCS-XE26SLFDT+](#) [G38A71214B](#) [HDRA-E68W1LFDTC-SL+](#) [HDR-E14MSG1+](#) [R88A-CNK81S](#) [CRT1-ATT02](#)