

## Fibre Keystone Coupler



**Fibre Keystone Coupler** (KOCMM, KOCSM, KOLMM, KOLSM, KOTMM and KOTSM)

Our new range of fibre couplers extends our selection of multimedia adapters. These female to female keystone couplers with their standardised dimensions can be used for easy snap-in mounting in a keystone patch panel, faceplate or surface-mount box. Their range now consists of couplers for the six of the most popular fibre connectors (SC, ST and LC) in both black and white. The compact design allows fitting 24 keystone couplers in a 1U keystone patch panel.

### **Features**

- Fibre female to female keystone couplers as follows:
  - SC to SC multi-mode simplex
  - SC to SC single mode simplex
  - LC to LC multi-mode duplex
  - LC to LC single-mode duplex
  - ST to ST multi-mode simplex
  - ST to ST single-mode simplex
- Designed to fit industry standard keystone outlets and patch panels
- Black and white versions available to match panel or faceplate colour
- Available as part of our innovative new panel mount coupler, designed for easy mounting on panels of virtually any thickness [http://www.tuk.co.uk/tuk\\_live/product\\_details.php?category\\_id=&pId=180](http://www.tuk.co.uk/tuk_live/product_details.php?category_id=&pId=180)

---

### ***Specifications***

- Connections: female to female
- Keystone housing: ABS UL94V-0
- Dimensions (without dust covers) in black/white keystone housing:

KOCMM: SC to SC multi mode simplex approx. 28x21x17mm  
Colour: beige

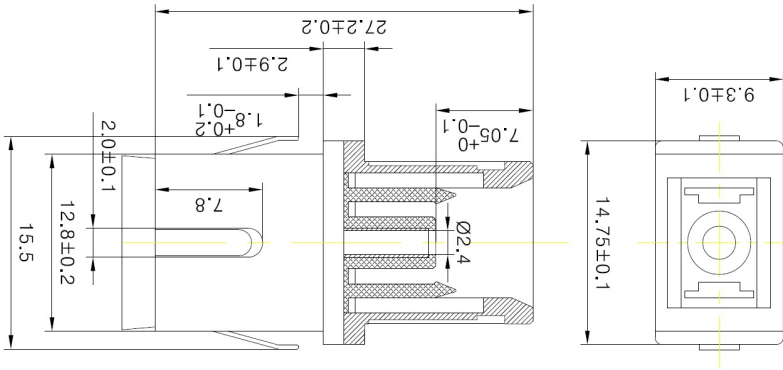
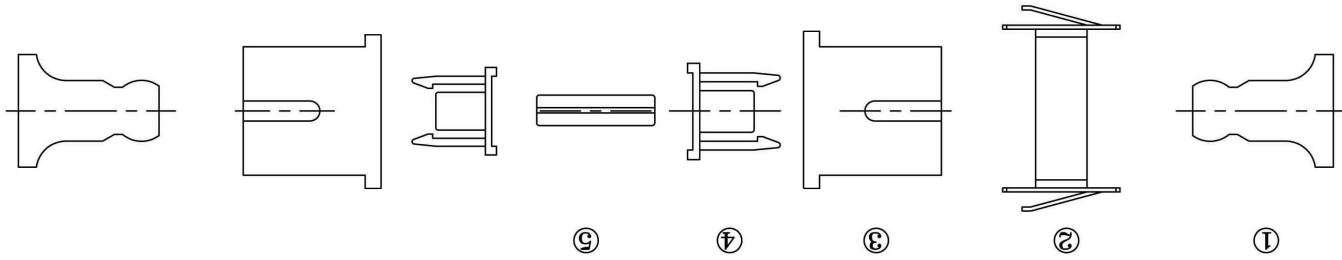
KOCSM: SC to SC single mode simplex approx. 28x21x17mm  
Colour: blue

KOLMM: LC to LC multi mode duplex approx. 27.5x21x17mm  
Colour: beige

KOLSM: LC to LC single mode duplex approx. 27.5x21x17mm  
Colour: blue

KOTMM: ST to ST multi mode simplex approx. 30x21x15mm  
Colour: silver - black dustcover

KOTSM: ST to ST single mode simplex approx 30x21x15mm  
Colour: silver - yellow dustcover



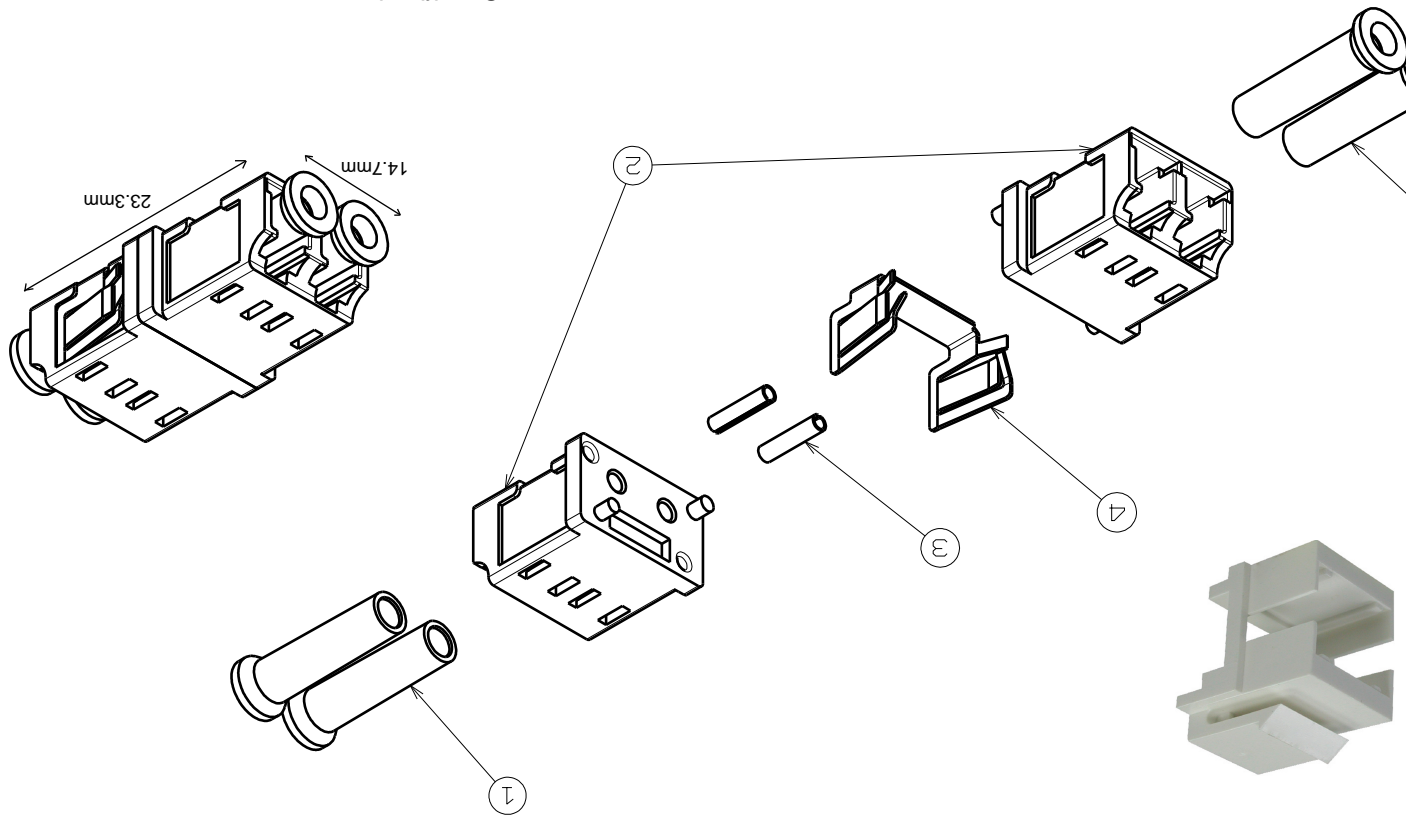
- Connector Specifications:
- a. Colour: KOCMM beige, KOCSM blue
  - b. Alignment Sleeve: KOCMM PhBr, KOCSM Zr02
  - c. Insertion Loss: 0.20dB MAX
  - d. Durability (500 MATTINGS): 0.15dB MAX INCREASE
  - e. Retention force: 200~600 Grams
  - f. Operating Temperature: -40°C~+80°C
  - KeyStone Adaptor Material: ABS UL94V-0,
- available in white or black

Descriptions	Material	Qty	Symbol
Sleeve	KOCMM PhBr, KOCSM Zr02	1	
SC Hook	PBT(GF 15%)	2	
SC Adaptor Body Simplex	PBT(GF 30%)	2	Tolerances
Clip	Stainless	1	0.0 ±0.50
SC Adaptor Cap	ABS	2	Angle F.2°

TUK Ltd, Unit 4, Wimbledon Stadium Business Centre, Riverside Road, London, SW17 0BA

8946 6688 Fax: 020 8879 7410 Email: sales@tuk.co.uk Website: www.tuk.co.uk

12/11/14

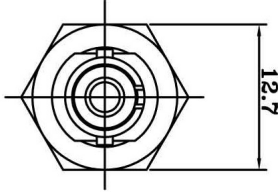
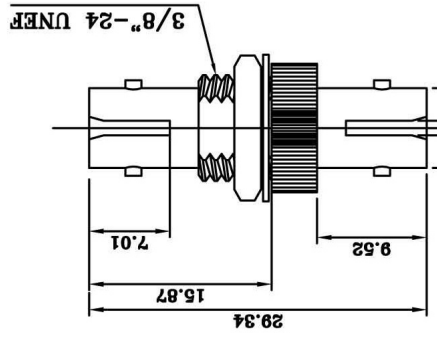
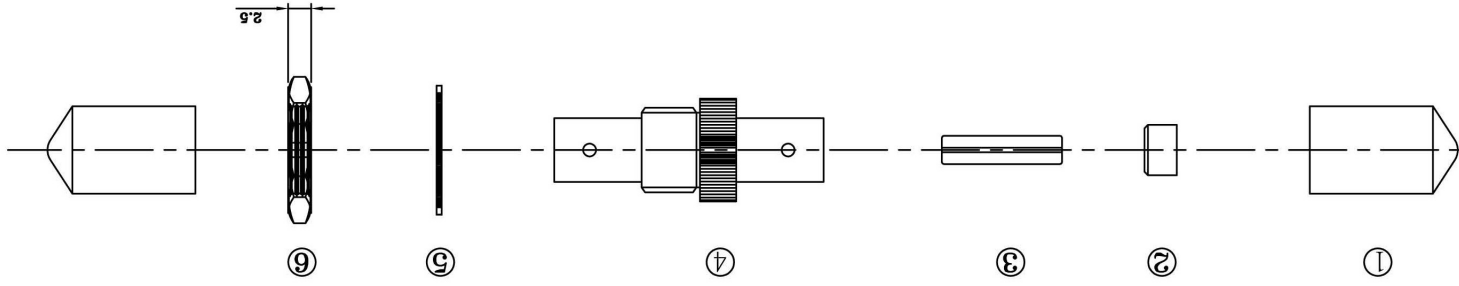


Specifications:

- 1. Colour: KOLMMDX beige, KOLSMDX blue
- 2. Alignment Sleeve: KOLMMDX PhBr, KOLSMDX Zr02
- 3. Insertion Loss: 0.20dB MAX
- 4. Durability (500 MATINGS): 0.15dB MAX INCREASE
- 5. Retention force: 100~250 Grams
- 6. Operating Temperature: -40°C~+80°C
- Keystone Adaptor Material: ABS UL94V-0,

available in white or black

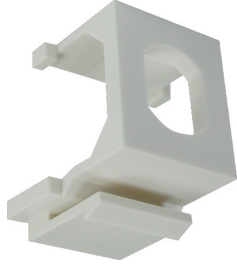
No.	Description	Material	Qty
1	Dust Cap	PP	2
2	Adaptor Housing	Polyetherimide (PEI)	2
3	Sleeve	KOLMMDX PhBr, KOLSMDX Zr02	2
4	Staple Spring	Stainless Steel	1



Connector specifications:

- a. Colour: KOTMM black dust cover, KOTSM yellow dust cover
- b. Alignment Sleeve: KOTMM PhBr, KOTSM Zr02
- c. Insertion Loss: 0.20dB MAX
- d. Durability (500 MATEINGS): 0.15dB MAX INCREASE
- e. Retention Force: 200-600 Grams
- f. Operating Temperature: -40°C~+80° C
- g. Material: Zn-Alloy

Keystone Adaptor Material: ABS UL94V-0, available in white or black



Q'ty	Material	Descriptions
1	Cu-Ni	3/8"-24 UNEF
1	Steel-Ni	Washer
1	Zn-Alloy	ST Adaptor Body Simplex
1	KOTMM PhBr, KOTSM Zr02	Sleeve
1	Cu-Ni	Bush
2	PVC	ST Adaptor Cap

Tolerances
∇: critical dim
⊙: Major CAV
0 ∓ 0.50
0.0 ∓ 0.20
Angle ∓ 2°

## X-ON Electronics

Largest Supplier of Electrical and Electronic Components

*Click to view similar products for [tuk](#) manufacturer:*

Other Similar products are found below :

[SP1YW](#) [SP0.5BL](#) [FJKPT](#) [SKMCBKDPM](#) [PXCAT6S8XL2](#) [OT45BK](#) [SKFYW](#) [TSY](#) [PXSPDY6S#100](#) [PSPDY5#100](#) [PSDL-6#20](#) [WJOL](#)  
[F78BKB](#) [FACK2BKDPM](#) [FJP2](#) [SKFBKDPM](#) [SPDL5BK](#) [SP10BK](#) [SKH1LJ](#) [PXSPDY5#10](#) [PSDL-5#100](#) [WJSG](#) [FJ445](#) [SP2GN](#) [SP10GN](#)  
[SLJBKDPM](#) [SILS](#) [SP5GN](#) [SGPZ10BK](#) [MGOP6](#) [PXSPDY6#10](#) [TRCSPDY3](#) [SKH4](#) [SGKSSU-45WH](#) [SP10BL](#) [SGPZ3BK](#) [ADF](#) [CPR2](#)  
[SEKEI-45WH](#) [SGKH2](#) [TRCSPDYBP](#) [SP10YW](#) [KPJ2BK](#) [KH2](#) [KOCSM](#) [SGACK2SPM](#) [KPH1BK](#) [PXSPDY6#100](#) [KOCSMDPM](#) [SP1BK](#)