

**Metalclad Plus  
Socket Outlets**

1:3



**Metalclad Plus™ Socket Outlets**

PRODUCT RANGE		
<b>1 gang</b>		
13A Unswitched	K848	ALM
13A Switched	K2977	ALM
13A Switched, without backbox	K2977	D5 ALM
13A Switched, red rocker	K2977	D6 ALM
13A Switched, with neon	K2477	ALM
13A Switched, red rocker, neons	K2477	D6 ALM
13A Switched, non-standard, clean earth switchsocket	K1247	ALM
13A Switched, non-standard, clean earth, red rocker	K1247	D6 ALM

PRODUCT RANGE		
<b>2 gang</b>		
13A Unswitched	K850	ALM
13A Switched, inboard rockers	K2946	ALM
13A Switched, inboard rockers without backbox	K2946	D5 ALM
13A Switched, inboard red rockers	K2946	D6 ALM
13A Switched, with inboard rockers and neons	K2446	ALM
13A Switched, with inboard red rockers and neons	K2446	D6 ALM
13A Switched, outboard rockers	K2945	ALM
13A Switched, outboard rockers, without backbox	K2945	D5 ALM
13A Switched, outboard red rockers	K2945	D6 ALM
13A Switched, non-standard, clean earth, outboard rockers	K1248	ALM
13A Switched, non-standard, clean earth, outboard red rockers	K1248	D6 ALM
13A Switched, non-standard, clean earth, outboard red rockers without backbox	K1248	D9 ALM

**Description**

A range of socket outlets designed for ease of installation and having all the advantageous design features of the Metalclad Plus range. The 2 gang sockets with outboard rockers are of particular value for use by the infirm and partially sighted.

Non-standard, clean earth sockets are for use on installations where restricted access is required and will only accept MK LN647 13A non-standard plug with T-shaped earth pin. The sockets have two independent earth terminals so that they can also be used for 'clean earth' installations.

One gang switchsockets, two gang outboard switchsockets and two gang unswitched sockets are fitted with two earth terminals on a common busbar to provide a double earth facility for use when installations are to comply with Regulation 607 of BS 7671, IEE Wiring Regulations. These should be referred to for guidance.

The products can be quickly installed as replacement for existing 13 amp sockets or in a new installation.

**Round pin sockets**

A range of round pin sockets is also available, switched and unswitched.

**Standards and approvals**

All Metalclad Plus 13A socket outlets comply with BS 1363: Part 2: 1995.

## Metalclad Plus Socket Outlets

2:3



### TECHNICAL SPECIFICATION

#### Electrical

Voltage rating:  
250V a.c.

Current rating:  
13A per socket outlet

Terminal capacity:  
Live, neutral & earth  
3 x 2.5mm<sup>2</sup>  
3 x 4mm<sup>2</sup>  
3 x 6mm<sup>2</sup> (stranded)  
(Dual earth terminals on list Nos.  
K850 ALM, K2977 ALM, K2477 ALM, K2945 ALM)

#### Physical

Ambient operating temperature:  
-5°C to +40°C  
(not to exceed an average of more than 25°C in any  
24 hour period)

IP rating:  
IP4X

Max. installation altitude:  
2000 metres

#### Box Knockouts

1 gang  
6 x 20.5 dia  
2 in one side  
1 in each of the other 3 sides  
1 in base

2 gang  
8 x 20.5 dia  
3 in top  
2 in bottom  
1 in each side  
1 in base

### Features

- Moulded 'on' indicator flash on switches will not rub off – totally safe
- Optional neon indicators in the switch rockers with 175° visibility in the horizontal and vertical planes
- Unique 3 pin operated safety shutter
- White terminal markings on grey rear mouldings for clearer identification
- Top access, angled terminals make wiring easier and quicker
- Minimum 3mm contact gap
- Double pole switching
- Choice of inboard or outboard positioned rockers
- Frontplates and backboxes manufactured from heavy gauge steel
- Additional electrical safety from neutral 'make first', 'break last' feature
- Switch contacts with silver contacts on both surfaces for good continuity
- Only one size of screwdriver required for installation
- Dual earth terminals for high integrity earthing on list Nos. K850 ALM, K2977 ALM, K2477 ALM, K2945 ALM, K2757 WHI
- Backed out and captive terminal screws
- Non-standard 'clean earth' sockets available
- Socket inserts manufactured from a specially formulated PC/ABS blend

### Box types

	Flush	Flush (for extra wiring space)	Surface Metal
1 gang	861 ZIC	866 ZIC	as supplied
2 gang	862 ZIC	886 ZIC	as supplied

### Installation

Metalclad Plus socket outlets can be wall or bench mounted. Do not mount or use as a trailing socket or where they may be subject to excessive moisture or dampness.

#### 2 gang switchsocket – view from rear

Top-facing, angled, backed-out terminals make wiring easier and quicker.



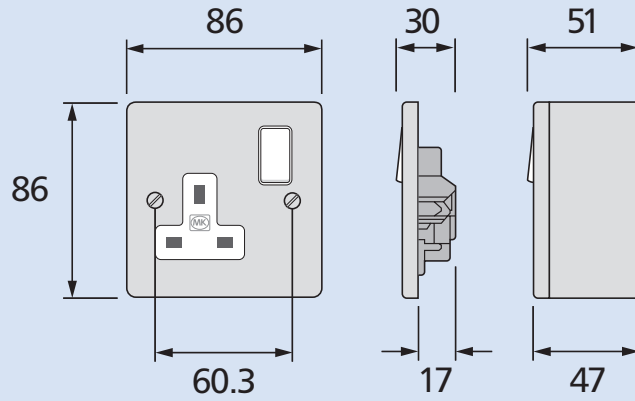
**Metalclad Plus™**

**Socket Outlets**

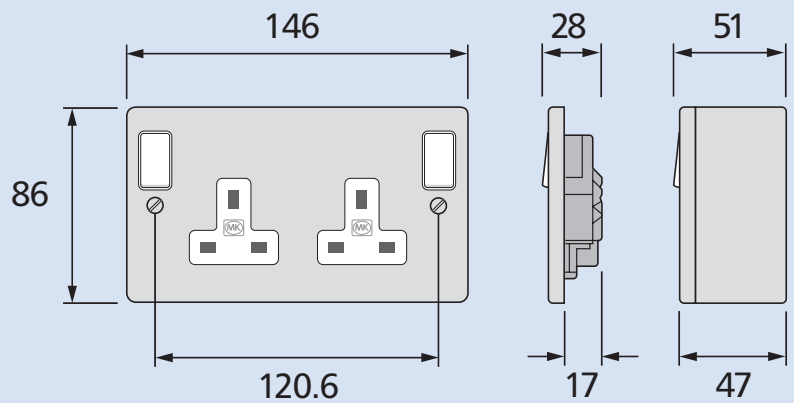
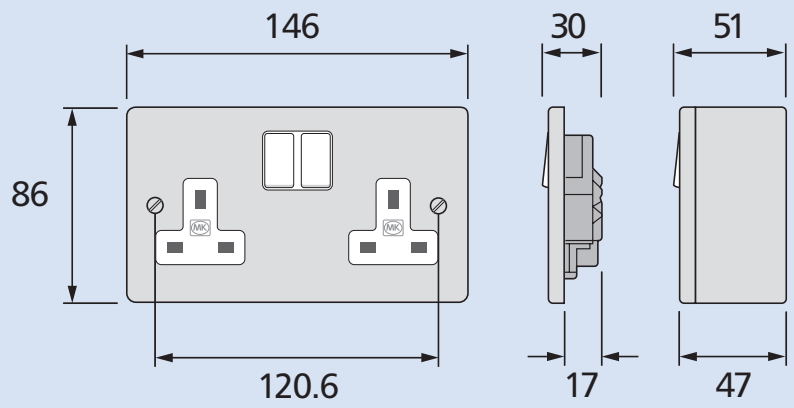
3:3

**Dimensions (mm)**

**1 gang**



**2 gang**



## X-ON Electronics

Largest Supplier of Electrical and Electronic Components

*Click to view similar products for [mk manufacturer](#):*

Other Similar products are found below :

[K3703](#) [K3520WHI](#) [MKEV016GIB-OY500](#) [K14182 BSS](#) [K9133BLU](#) [866ZIC](#) [K3828WHI](#) [K9201BLU](#) [K4878PWHI](#) [K9015 RED](#)  
[K9033BLU](#) [K9014BLU](#) [K2142WHI](#) [MKSDSOCKET-Pinboard V1](#) [K182WHI](#) [K3827WHI](#) [VTS/7035 WHI](#) [K9001BLU](#) [K9701BLU](#)  
[K2172WHI](#) [VTS/6035 WHI](#) [K850ALM](#) [MKSD-Pinboard](#) [MKRD3B25616HG13AB](#) [MKEV008GCB-SS510](#) [MKDV1GIL-AS](#) [MKDV2GIL-AS](#) [MKDV8GIL-AS](#) [MKDV4GIL-AS](#)