

ATTRACTIVE AND RUGGED FOR WET AND DUSTY ENVIRONMENTS

The OTTO K3 series is a quality, precision switch designed to comply with standards established for appliance, marine (ignition protection) and off-road vehicles along with other demanding applications where rugged rocker switches are required.

K3 series sealed rocker switches snap into industry-standard panel cutouts. Choose illuminated and printed legends, thru-panel drain option, and switching compatibility from low level to 20 amps.

The K3 series offers a choice of LED, incandescent and neon illumination. Legends can be stamped onto a non-illuminated button, stamped onto an illuminated lens, or laser etched into the lens and backlit.

Available in standard and low level contact ratings, the K3 rockers will fit a wide range of applications. Expect a minimum of 25,000 cycles at a full rated load of 20 amps resistive or 15 amps inductive. 100,000 cycles are possible at low level loads. A full complement of switch operation is available including momentary and maintained action in 2- or 3-position switches in SPST, SPDT, SPTT, DPST, and DPDT circuit arrangements.

OTTO can provide custom colors upon request. Value-added assemblies with wire leads are also available. Please consult the factory for assistance.

Quality Features:

- Submersible, sealed watertight per IP68
- Snap-in panel mounting into industry standard panel cutout
- Optional panel seal gasket
- Thru-panel drain option
- LED, neon and incandescent lighting
- .250" Q.C. terminals
- Optional one-piece connector
- Optional terminal barriers
- Low level to 20 amp switch



Standard Characteristics/Ratings:

OPERATIONAL:

| | |
|-------------------------------------|--|
| Mechanical Life: | 100,000 cycles, minimum |
| Seal: | Watertight. Submersible to IP68 |
| Operating Temperature Range: | -40°C to +85°C |
| Button/Case: | Thermoplastic. |
| Mounting: | Snap-In from front into industry standard panel cutout |
| Contacts: | Silver Alloy. Gold flash for low level |
| Terminals: | Brass 1/4" Q.C. Standard |
| Light Source: | 6V, 12V, 24V Incandescent; 125V, 250V Neon; 2V, 6V, 12V, 24V red, green, amber LED |

ELECTRICAL:

| LOAD Type | CURRENT RATING | | LIFE (Min.) |
|------------------------------|---|--------|---------------|
| | 12V & 28V | 110VAC | |
| Resistive | 20A | 16A | 25,000 cycles |
| Inductive | 15A | 15A | 25,000 cycles |
| Lamp | 5A | 5A | 25,000 cycles |
| Motor Load: | 1/2 HP at 110 VAC | | |
| Dielectric Withstand: | 1050 Vrms except across light terminals | | |

Compliance Standards (Pending):

EN61508-1 for appliance switches
 UL 1054 for special use switches
 UL 1500 for ignition protection of marine products
 SAE J1455 for heavy duty trucks

SEALED, ILLUMINATED ROCKER SWITCHES

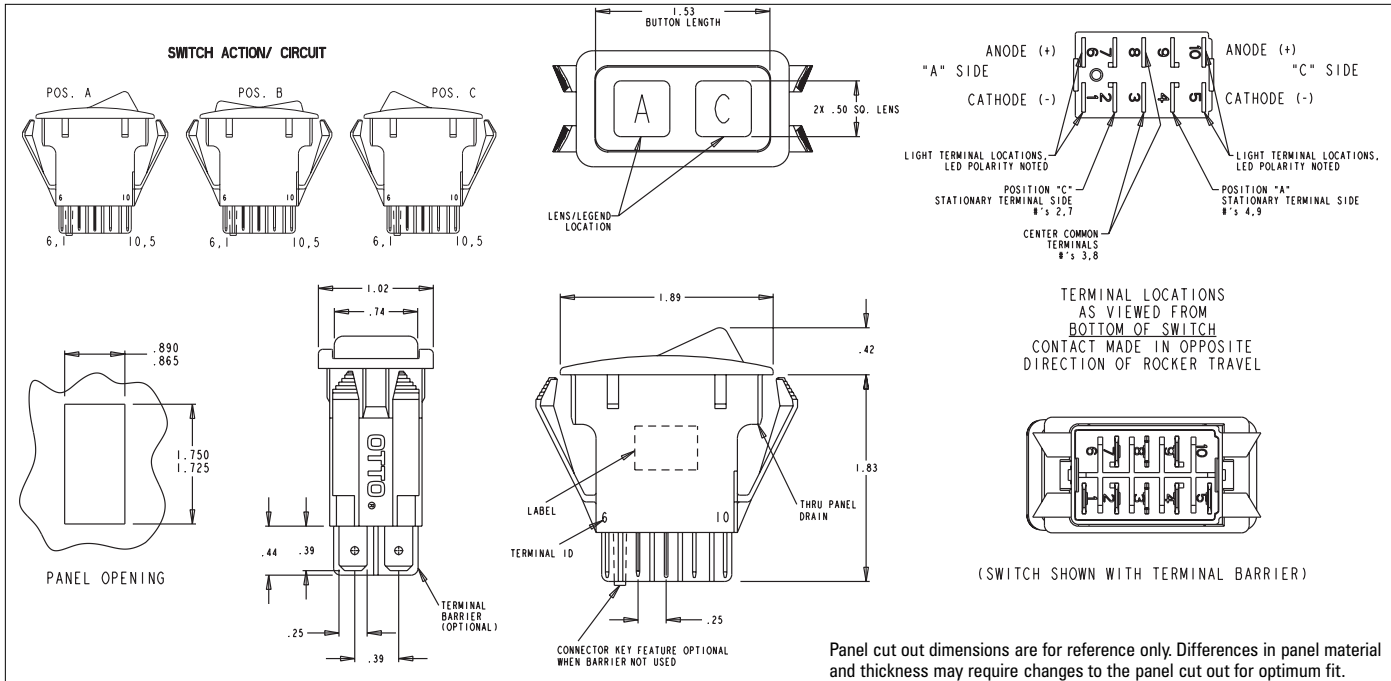
SNAP-IN PANEL MOUNTING

Standard Legends Per SAE Specifications

| | | | | | |
|----|---|----|---|----|--|
| A1 |  ANCHOR | K2 |  UNLOCK | P5 |  BILGE BLOWER |
| B1 |  BATTERY | L1 |  LIGHT | R1 |  LIFT |
| B2 |  ELECTRIC POWER | L2 |  MASTER LIGHTING SWITCH | R2 |  LOWER |
| C1 |  AC/COOLING SYSTEMS | L3 |  HEADLIGHTS | R3 |  UP |
| C2 |  DEHUMIDIFIER | L4 |  HEADLIGHTS-LOW / DIPPED BEAM | R4 |  DOWN |
| C3 |  HEATER/INTERIOR HEATING | L5 |  HEADLIGHTS-HIGH / UPPER BEAM | R5 |  RIGHT |
| D1 |  WINDSHIELD DEFROSTER | L6 |  PARKING LIGHT | R6 |  LEFT |
| D2 |  REAR WINDOW DEFROSTER | L7 |  WORK LAMP | R7 | FWD FORWARD |
| D3 |  MIRROR DEFROSTER | L8 |  WORK LAMP | R8 | REV REVERSE |
| E1 |  ENGINE/START | L9 |  INTERIOR DOME LIGHT | S1 |  RADIO |
| E2 |  ENGINE/STOP | M1 |  BEACON | S2 |  MUTE |
| E3 | ON/START | M2 |  HAZARD/POSITION LIGHTS | T1 |  FAST |
| E4 | ○ OFF/STOP | M3 |  CLEARANCE LIGHTS | T2 |  SLOW |
| E5 | ON ON | M4 |  SIDE MARKER LIGHT | T3 |  TRIM TAB / TRIMMING OPERATION |
| E6 | OFF OFF | M5 |  RUNNING LIGHTS (UNDER POWER) | T4 |  TRANSMISSION |
| E7 |  ENGINE ELECTRIC PREHEAT | M6 |  ANCHOR LIGHT | V1 |  VENTILATING / AC FAN |
| E8 |  ENGINE-GAS INJECTION | M7 |  RUNNING/ANCHOR LIGHTS | W1 |  WINDSHIELD WIPER |
| F1 |  FRONT FOG LIGHTS | M8 |  SEARCH LIGHT | W2 |  WINDSHIELD-WASHER |
| F2 |  REAR FOG LIGHTS | M9 |  LEFT TURN SIGNAL | W3 |  WINDSHIELD-WASHER/WIPER |
| G1 |  FUEL | MA |  RIGHT TURN SIGNAL | W4 |  REAR WINDOW WIPER |
| H1 |  HORN | P1 |  BILGE PUMP #1 | W5 |  REAR WINDOW-WASHER |
| H2 |  HORN REAR | P2 |  BILGE PUMP #2 | W6 |  REAR WINDOW-WASHER/WIPER |
| K1 |  LOCK | P3 |  BILGE PUMP #3 | ZZ | NO LEGEND |
| | | P4 |  BILGE PUMP | | |

For legends not shown, please consult an OTTO representative.

SNAP-IN PANEL MOUNTING



K3 Series PART

K3 X X XX X X

| Terminal Style/ Switch Rating/Plating | Bezel and Actuator Color and Case Style | Code | Switch Action/Circuit | | | Light Source Type | Light Circuit |
|---|--|------|-----------------------|-----------------|-----------------|----------------------|------------------------------|
| | | | Position "A" | Position "B" | Position "C" | | |
| A. Without Terminal Barriers/ Standard Rating/Silver Plating | A. Black Rocker and Bezel with Drain Holes | 1A | ON | NONE | OFF | SPST | A. No Light |
| B. Without Terminal Barriers & Connector Keying Pin/ Standard Rating/Silver Plating | B. Black Rocker and Bezel without Drain Holes | 1B | ON | NONE | ON | SPDT | B. Dep. in "A" |
| C. With Terminal Barriers/ Standard Rating/Silver Plating | C. Red Rocker and Bezel with Drain Holes | 1C | MOM-ON | NONE | OFF | SPST | C. Dep. in "C" |
| D. Without Terminal Barriers/ Low Level Rating/Gold Plating | D. Red Rocker and Bezel without Drain Holes | 1D | MOM-ON | NONE | ON | SPDT | D. Ind. in "A" |
| E. Without Terminal Barriers & Connector Keying Pin/Low Level Rating/Gold Plating | E. White Rocker and Bezel with Drain Holes | 1E | MOM-ON | OFF | MOM-ON | SPDT | E. Ind. in "C" |
| F. With Terminal Barriers/Low Level Rating/Gold Plating | F. White Rocker and Bezel without Drain Holes | 1F | ON | OFF | ON | SPDT | F. Dep. in "A" & "C" |
| G. Without Terminal Barriers/ Standard Rating/No Plating | | 1G | ON | OFF | ON | DPDT | G. Dep. in "A" & Ind. in "C" |
| H. Without Terminal Barriers & Connector Pin/Standard Rating/ No Plating | | 1H | MOM-ON | OFF | ON | DPDT | H. Ind. in "A" & Dep. in "C" |
| J. With Terminal Barriers/Standard Rating/No Plating | | 1J | MOM-ON | OFF | ON | DPDT | J. Ind. in "A" & "C" |
| | | 1K | ON | ON | OFF | SPDT | |
| | | 1L | ON | ON | NONE | SPDT | |
| | | 1M | ON | ON | ON | SPDT | |
| | | 1N | ON | ON | ON | DPDT | |
| | | 1P | ON | ON | ON | DPDT | |
| | | 1Q | ON | ON | ON | DPDT | |
| | | 1R | ON | ON | ON | DPDT | |
| | | 1S | ON | ON | ON | DPDT | |
| | | 1T | ON | ON | ON | DPDT | |

NOTE: Silver Plating for Soldering

Stop Here for unlighted switches without legends. The switch you have specified will be supplied with a rocker button without lenses and without legends. Example: K3AA1FAA

SEALED, ILLUMINATED ROCKER SWITCHES

ATTRACTIVE AND RUGGED FOR WET & DUSTY ENVIRONMENTS

Part Numbering Example:

K3DB1ENJ-21T1T2994

Switch Description

K3 rocker switch

for low level switching, without terminal barriers

featuring a black rocker and bezel without drain holes

in a SPDT, Mom On – Off – Mom On circuit arrangement

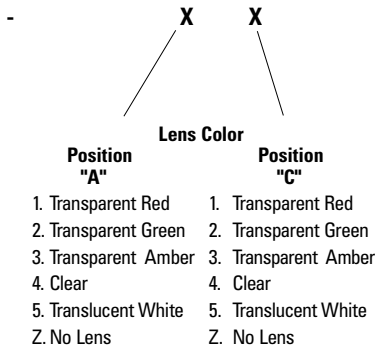
with 12VDC red LEDs

lit independently in both positions

Switch Description

- K3
 - D
 - B
 - 1E
 - N
 - J
 -
 - 2
 - 1
 - T1
 - T2
 - 9
 - 9
 - 4
- Green lens in Position A and a Red lens in Position C are respectively pad-printed with Rabbit Legend in Position A Turtle legend in Position B both in white with the legends rotated 270° so that the switch can be mounted in the panel vertically with the Rabbit at the top of the switch

NUMBERING CODE

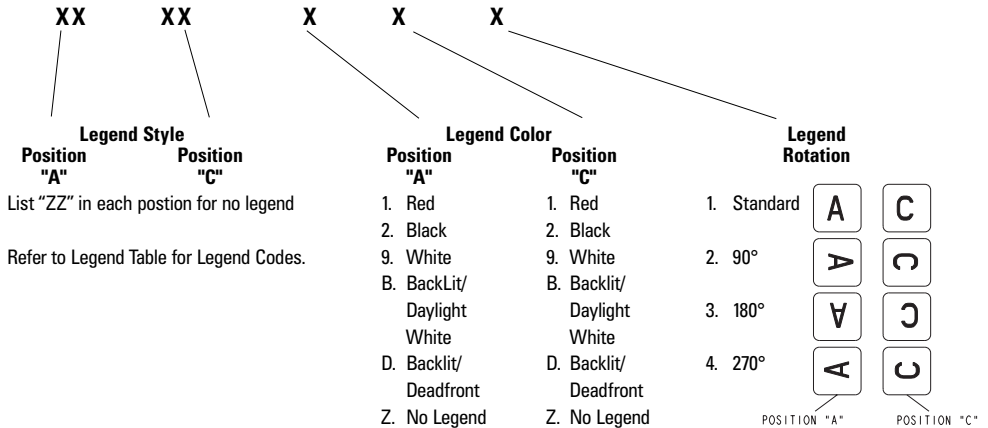


* Use with neon lamps

Stop Here for lighted switches without legends. The switch you have specified will be supplied with a rocker button with lenses, but without legends.
Example: K3AAIFNH-44

Note

It is not recommended to use green LEDs with translucent white lenses. This will reduce light intensity.



Connector: Part Number 801775-2A without latches.
Part Number 801775-2B with latches.

Panel Seal Gasket: Part Number 807037.
Order separately for use with switches without drain holes.

Panel Plug: Part Number K300000040.

X-ON Electronics

Largest Supplier of Electrical and Electronic Components

Click to view similar products for [Rocker Switches](#) category:

Click to view products by [OTTO](#) manufacturer:

Other Similar products are found below :

[VKD2GHNB-00000-000](#) [VSD2GNNB-00000-000](#) [6-1571986-5](#) [6-1571986-9](#) [7036WWCDBX653+U622](#) [8055K52Z7V](#) [8138K20E6M50](#)
[FMC18A2200002](#) [84206L](#) [84312LX](#) [PREDD4-07F-BB0FW](#) [PREDD5-07F-BB0GW](#) [PRFDD1-16F-BB000](#) [PRFDD3-16F-BB000](#) [1-](#)
[1634201-0](#) [999-16702-001](#) [A101J2ZQ004](#) [A101J4ZQ004](#) [A101J51CB0004](#) [A107J51ZQ0004](#) [A201J1AQ004](#) [A201J1AV2Q004](#)
[A201J3ZB004](#) [A201J50ZQ004](#) [A203J51ZQ0004](#) [A226L11YZQ](#) [A22L11A](#) [A435S1YZQ](#) [H8500XBBBBL-A](#) [H8653VBBG2577W](#)
[HB130CHNWWNAAC](#) [1251.0303](#) [AE205J60V3B004](#) [RH110C2NBB](#) [1352.0107](#) [1363.0201](#) [AML25GBF2AA03GR](#) [1571099-3](#) [1571987-4](#)
[1571987-5](#) [1571989-7](#) [B123J77V7B2](#) [B226J50W4Q22P](#) [B433J37ZQ22M](#) [160212E](#) [1801.1164](#) [1831.1102](#) [1833.3402](#) [1837.1118](#) [1838.8302](#)