

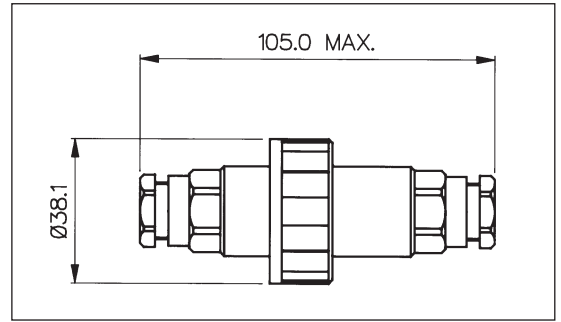
**Sealed In-Line Cable Joiner**

**CABLE JOINER**

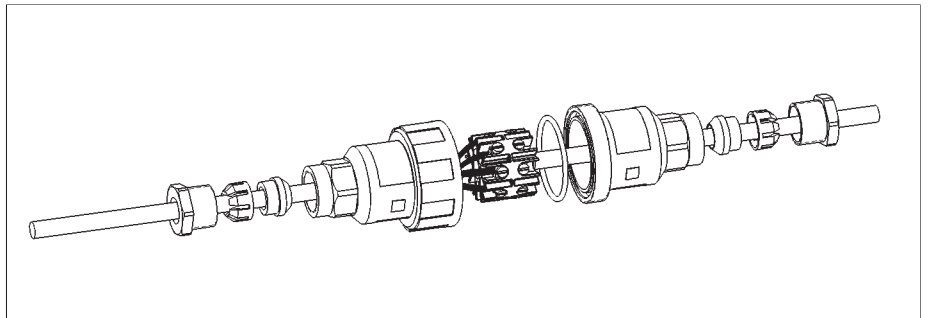


**PX0777/8pole**

- IP68 & IP69k Rating
- For Sealed In-Line Connections
- Standard Cable Acceptance 6-8mm
- Cable Range 3.5-9mm (using alternative glands)
- Supplied with 4, 6 or 8 way Terminal Block
- Available Moulded in Black or Orange



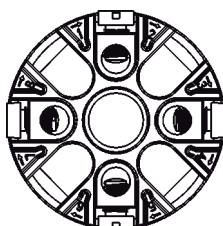
**PX0777/8pole/OR**



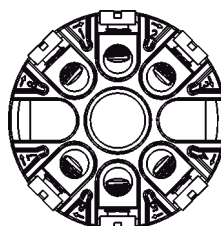
BUCCANEER POWER

Specification	PX0777/4POLE	PX0777/6POLE	PX0777/8POLE
<b>Rating:</b>	10A, 250V a.c.	10A, 250V a.c.	10A, 250V a.c.
<b>Wire Termination:</b>	4 way Terminal Block	6 way Terminal Block	8 way Terminal Block
<b>Conductor Accommodation:</b>	1.5mm <sup>2</sup> max	1.5mm <sup>2</sup> max	1.5mm <sup>2</sup> max
<b>Cable Acceptance:</b>	6-8mm dia alternative glands available on request	6-8mm dia alternative glands available on request	6-8mm dia alternative glands available on request
<b>Material:</b>	Glass Filled Polyamide UL94-V0	Glass Filled Polyamide UL94-V0	Glass Filled Polyamide UL94-V0
<b>Sealing:</b>	IP68 to BSEN 60529 : 1992 1.054kg/sq.cm. (15lbs/sq.in.) 10m depth for 2 weeks  IP69k to DIN 40050-9	IP68 to BSEN 60529 : 1992 1.054kg/sq.cm. (15lbs/sq.in.) 10m depth for 2 weeks  IP69k to DIN 40050-9	IP68 to BSEN 60529 : 1992 1.054kg/sq.cm. (15lbs/sq.in.) 10m depth for 2 weeks  IP69k to DIN 40050-9
<b>Operating Temp. Range:</b>	-20°C to +70°C	-20°C to +70°C	-20°C to +70°C
<b>Colour:</b>	Black Orange (Add /OR to PNo.)	Black Orange (Add /OR to PNo.)	Black Orange (Add /OR to PNo.)
<b>RoHS</b>	Compliant	Compliant	Compliant

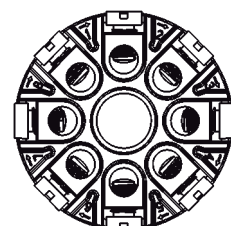
**PX0777/4POLE**



**PX0777/6POLE**



**PX0777/8POLE**



## X-ON Electronics

Largest Supplier of Electrical and Electronic Components

*Click to view similar products for [Wire Identification](#) category:*

*Click to view products by [Bulgin](#) manufacturer:*

Other Similar products are found below :

[CU6337-000](#) [CU6342-000](#) [FCA-410-12](#) [11631010](#) [1-1768037-1](#) [1-1768037-2](#) [1-1768050-0](#) [PXLK-VI](#) [Q62184-1](#) [A64304-000](#) [QMT221](#)  
[HK032WE1NF038B](#) [1330-0519-10](#) [1395199-1](#) [1395200-1](#) [1395202-1](#) [DMVF050WE-300S6](#) [D-SCE-1K-2.4-50-4-CS7834](#) [1538738-1](#)  
[E90935-000](#) [EC1238-000](#) [EC1465-000](#) [EC1855-000](#) [EC1859-000](#) [EC1863-000](#) [EC5415-000](#) [EC7277-000](#) [EC7352-000](#) [EC7603-000](#)  
[EC7707-000](#) [EC7735-000](#) [EC7768-000](#) [EC7828-000](#) [EC7854-000](#) [EC7952-000](#) [EC8128-000](#) [1768037-8](#) [1768041-7](#) [NC-127191-10-9](#)  
[HS048WE2NF038B](#) [C03232-000](#) [HTCM-SCE-14-4H-9](#) [HTMS-3/16-9](#) [HT-SCE-1/4-2.0-4](#) [HT-SCE-3/16-2.0-4](#) [HTTMS-1/2-1.50-9](#) [HTTMS-](#)  
[CM-1/2-4H-9](#) [HX-SCE-19.0-50-9](#) [HX-SCE-6.4-50-4](#) [C25254-000](#)