

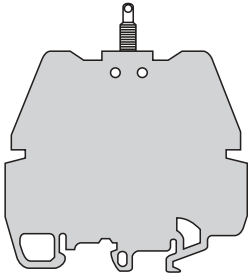
SC Separator end section

(cont.)

SCFCV

Allows mounting of a protective cover CPM and a marker-holder PEP.

Thickness: 3 mm .12"



For blocks:

MA 2,5/5 - M 4/6 - M 6/8
M 10/10 - M 16/12 - M 35/16

SCFCV1-2 grey **0116 795.11**

SCFCV1-2 V0 beige **0196 795.12**

For blocks:

M 6/8.STA - M 6/8.SF

SCFCV3 grey **0116 796.12**

SCFCV3 V0 beige **0196 796.13**

For blocks:

M 70/22 - MB 25/30.SF - MB 10/24.SF
M 10/12.SF - MU 10/13
M 10/13.TSF

SCFCV4 grey **0116 797.13**

SCFCV4 V0 beige **0196 797.14**

For blocks:

M 6/8.ST

SCFCV5 grey **0116 798.24**

SCFCV5 V0 beige **0196 798.25**

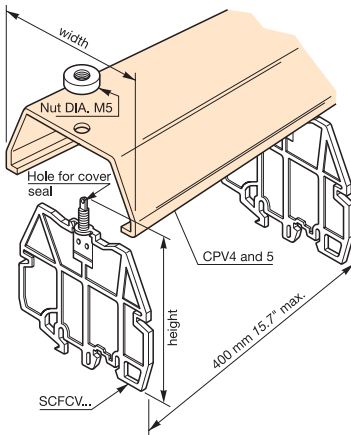
CP Protective cover

CPV

Protective cover of transparent PVC, length 1 m 3'3" (39") approx.

For cover mounting, place a separator end section SCFCV every 400 mm approx., at terminal assembly extremities.

It can also be used for marking the terminal unit by means of a blank marker strip RTC, which sticks under the cover.



For separator: SCFCV1-2
width: 73 mm 2.87"
length: \sim 66.5 mm 2.62"
 \sim 74 mm 2.91"
 \sim 72 mm 2.83"

CPV1-2 0176 816.12

For separator: SCFCV3
width: 85 mm 3.35"
length: \sim 68.5 mm 2.70"
 \sim 76 mm 2.99"
 \sim 74 mm 2.91"

CPV3 0176 817.13

For separator: SCFCV4
width: 104 mm 4.09"
length: \sim 90.5 mm 3.56"
 \sim 98 mm 3.86"
 \sim 96 mm 3.78"

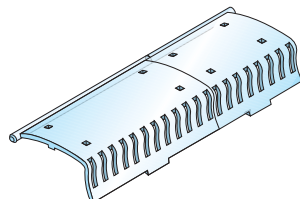
CPV4 0176 791.21

For separators: SCFCV5
width: 104 mm 4.09"
length: \sim 72 mm 2.83"
 \sim 79.5 mm 3.13"
 \sim 77.5 mm 3.05"

CPV5 0176 791.21

CPMS

20 poles divisible cover for 12 poles use.

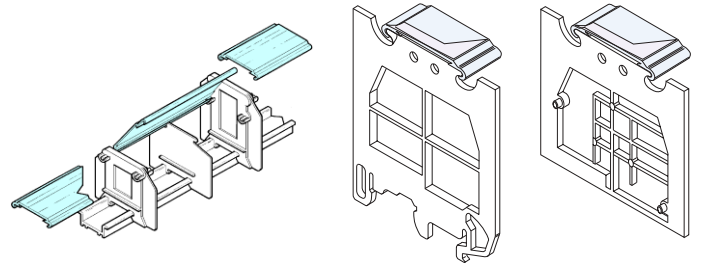


CPMS 0205 227.01

CPM

Protects the user from accidentally touching live circuits.

This cover is clipped onto the end sections (FE), onto the intermediate sections (FJ), and onto the SCF or SCFM separators. It can also be used for marking the terminal unit by means of a blank strip RTC, which slides into the cover.



Mounting on FJ... separator end sections

Mounting on a SCF circuit separator

Mounting on a SCFM circuit separator

Width 32 mm/1.26", in length of 500 mm/19.70".

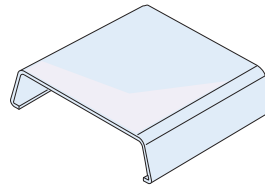
CPM	clear	0187 312.14
CPM	beige	0197 312.16
CPM	yellow	0199 405.27

CPP

This type of cover fits only on ECP partitions (for Type I power terminal blocks). It snaps onto the partition and increases the space by 1,5 mm .059".

For each spacing, there are 3 cover sizes, for 1, 2 or 3 blocks.

Thickness of the cover: 1,5 mm.



Spacing			
- 26 mm	1 block	CPP261	0168 202.13
	2 blocks	CPP262	0168 201.12
	3 blocks	CPP263	0163 403.20
- 31 mm	1 block	CPP311	0168 204.15
	2 blocks	CPP312	0168 203.14
	3 blocks	CPP313	0163 409.06
- 35 mm	1 block	CPP351	0168 206.17
	2 blocks	CPP352	0168 205.16
	3 blocks	CPP353	0163 418.26
- 42 mm	1 block	CPP421	0168 208.21
	2 blocks	CPP422	0168 207.10
	3 blocks	CPP423	0163 424.14

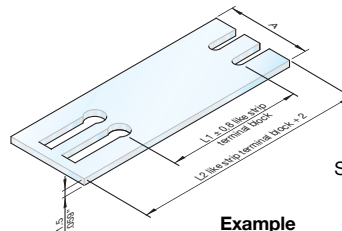
CPTR Protecting covers for strip terminal blocks

Characteristics - body: Clear PVC
- thickness: 1.5 mm

How to order

1	Mark the type of cover CPTR (table1)
2	Mark the number of contacts on the terminal block

Protecting covers	A
CPTR 38 + CPTR 80	15
CPTR 716	18
CPTR 916	23
CPTR 950	23
CPTR 110	29
CPTR 143	34
CPTR 175	47
CPTR 220	51



Screw and cross pieces are supplied.

Example

CPTR 716 - 6
Protecting cover for US 716 with 6 poles.

X-ON Electronics

Largest Supplier of Electrical and Electronic Components

Click to view similar products for [entrelec](#) manufacturer:

Other Similar products are found below :

[023000012](#) [023103024](#) [023000107](#) [1SNK505310R0000](#) [011762822](#) [016511417](#) [016340320](#) [1SNK516020R0000](#) [023300421](#)

[1SNK510010R0000](#) [018731214](#) [011870703](#) [010500220](#) [011511607](#) [023300227](#) [016049626](#) [017666704](#) [1SNK508411R0000](#) [023300320](#)

[023300001](#) [016548827](#) [012511813](#) [017301610](#) [011546820](#) [010500127](#)