

- ▶ Remote potentiometer
- ▶ Absolute scale
- ▶ Front panel mounting
- ▶ Clear diameter 28mm



▶ Technical data

▶ 1. Functions

F Remote potentiometer

▶ 2. Mechanical design

Self-extinguishing plastic housing, IP rating IP64 (frontside)
 Mounted in front panel aperture clear diameter 22.5mm by means of retaining clip (included) according to DIN 43700
 Mounting position: any
 Shockproof terminal connection according to VBG 4
 Initial torque: max. 1Nm
 Terminal capacity:
 1 x 0.5 to 1,0mm² with/without multicore cable end

▶ 3. Output circuit

Maximum adjustment value:
 10kΩ (R20 10KΩ) 0.1 to 1
 Connections:
 1 First
 2 Wiper
 3 Finish
 Insulation voltage: 250V AC(according to IEC 664-1)
 Surge voltage: 4kV, overvoltage category III (according to IEC 664-1)

▶ 4. Accuracy

Base accuracy: ±10% (of)
 Wiederholgenauigkeit: ≤0,01%

▶ 5. Ambient conditions

Ambient temperature: -25 to+55°C (according to IEC 68-1)
 Storage temperature: -25 to+65°C
 Transport temperature: -25 to+65°C
 Relative humidity: 15% to 85% (according to IEC 721-3-3 class 3K3)
 Pollution degree: 3 (according to IEC 664-1)

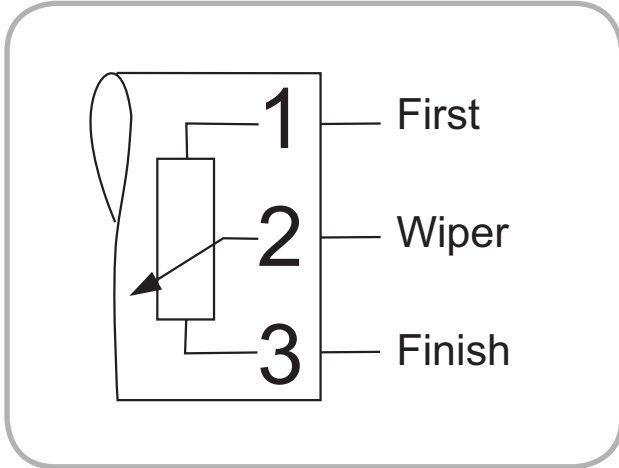
► Functions

Remote potentiometer

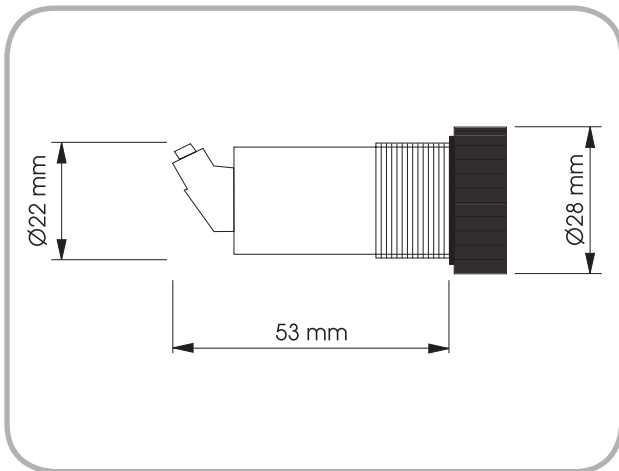
The "R20 10kΩ" remote potentiometer perfectly suits for TELE thyristor control units.

Of course the remote potentiometer from TELE can also be used in other applications (e.g. frequency inverters).

► Connections



► Dimensions



X-ON Electronics

Largest Supplier of Electrical and Electronic Components

Click to view similar products for [tele manufacturer](#):

Other Similar products are found below :

[G2PF400VS02](#) [G2PM400VSY20 24-240VAC/DC](#) [E1ZM10 12-240VAC/DC](#)