

PRODUCT SPECIFICATION	
Individual Product Specification	

Specifications for
Cylindrical Zinc Carbon Battery
R20 (DRNF-W)

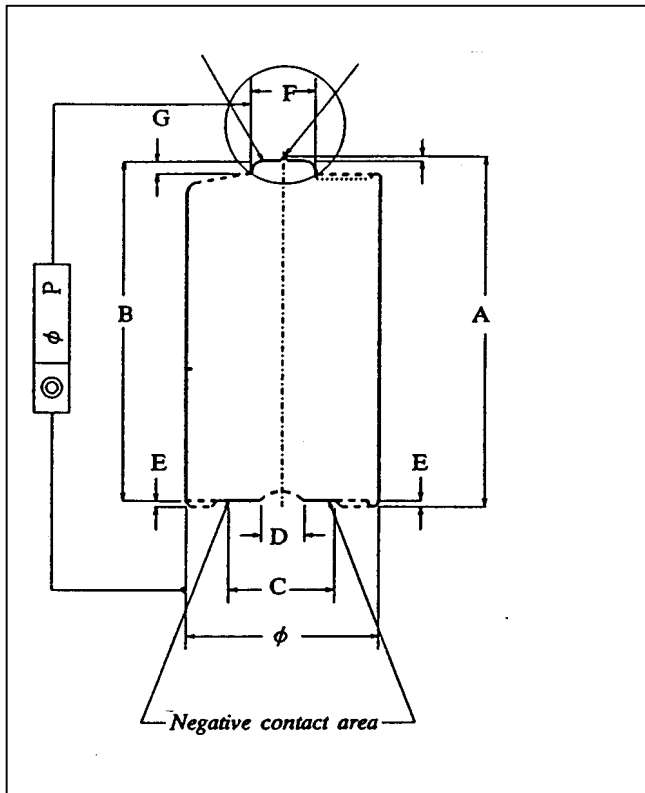
Date of stipulation: 1999-04-28		Stipulated			Described
------------------------------------	--	------------	--	--	-----------

PRODUCT SPECIFICATION					Panasonic
Individual Product Specification					DRNF-W
1. Battery identification		name	R20 / UM 1		
		type	zinc carbon / metal jacket		
		nominal voltage	1.5 V		
		average weight	100 gr.		
		manufactured by	PMB P		
2. Battery dimensions		As per attached drawing			
3. Typical battery performance		Discharge modes			
Test	Resistance	Daily period	End point	Result *	Result**
Radio	10 Ω	4 h	0.9 V	43.0 h	37.8 h
Recorder	3.9 Ω	1 h	0.9 V	14.7 h	13.1 h
Motor	2.2 Ω	1 h	0.8 V	6.7 h	5.4 h
LIF	2.2 Ω	4 min./h , 8 h/ day	0.9 V	425 min	360 min
Open circuit voltage (OCV) Minimum average duration					
			Initial*	After 12 months storage **	
OCV (at 20±2°C)			1.6 V	1.52 V	
Min. aver. duration (at 20±2°C)***			35.7 h	27.2 h	
<p>* The initial discharge test shall commence with 30 days since manufacture. During this period, the batteries are kept under the condition of 20±2°C.</p> <p>** During this period, the batteries shall also be kept under the condition of 20±2°C.</p> <p>*** 10 Ω, 4 h / day, 0.9 V</p>					
4. Mercury and Cadmium contents		No Mercury (Hg) and Cadmium (Cd) are used in battery.			
Date of stipulation: 1999-04-28		Stipulated			Described

PRODUCT SPECIFICATION

Individual Product Specification

Size:
IEC: R20



Dim	Max	Min
∅	34.2	32.3
A	61.5	59.5
B		59.5
C		18.0
D	7.5	
E	1.0	
F	9.5	7.8
G		1.5
Pip	0.4	

Voltage	1.5 V
Terminal	(+) Cap (-) Base
Average weight	100 g
Jacket	Metal

Scale

Carbon Zinc Dry Battery R20

Date of stipulation:
1999-04-28

Stipulated

Described

X-ON Electronics

Largest Supplier of Electrical and Electronic Components

Click to view similar products for [panasonic](#) manufacturer:

Other Similar products are found below :

[ECE-A1HKAR47](#) [ELK-EA102FA](#) [ELC-09D151F](#) [EEC-S0HD224H](#) [ELL-5PS3R3N](#) [HC2-H-DC48V-F](#) [HL2-HP-AC120V-F](#) [HL2-H-DC12V-F](#) [HL2-HP-DC12V-F](#) [HL2-HP-DC6V-F](#) [HL2-HP-DC24V-F](#) [HC4-H-DC24V](#) [HL2-HTM-DC24V-F](#) [HL2-HTM-AC24V-F](#) [HC4-H-AC24V](#) [HC4-H-AC120V](#) [EEC-RG0V155H](#) [AZH2031](#) [RP-SDMF64DA1](#) [EEF-UD0K101R](#) [EVM-F6SA00B55](#) [RP-SMLE08DA1](#) [ELC-12D101E](#) [ERA-3YEB272V](#) [EEC-RF0V684](#) [ERA-3YEB153V](#) [ELC-3FN2R2N](#) [ERA-3YEB512V](#) [ERJ-1GEJ564C](#) [ERZ-V20R391](#) [ETQ-P3W3R3WFN](#) [ELL-ATV681M](#) [ELK-EA100FA](#) [EEF-UD0J101R](#) [LC-R121R3P](#) [ERA-3YEB303V](#) [ERZ-V05V680CB](#) [EEF-UE0K101R](#) [ELK-E101FA](#) [EEC-S0HD224V](#) [EVQ-PAC05R](#) [ELK-EA222FA](#) [LT4H-DC24V](#) [LT4HL8-AC24V](#) [LT4HW-AC24V](#) [LT4HWT8-AC240V](#) [LT4HWT-AC240VS](#) [CX-444-P-Z](#) [CY-122A-P](#) [ETQ-P5M470YFM](#)