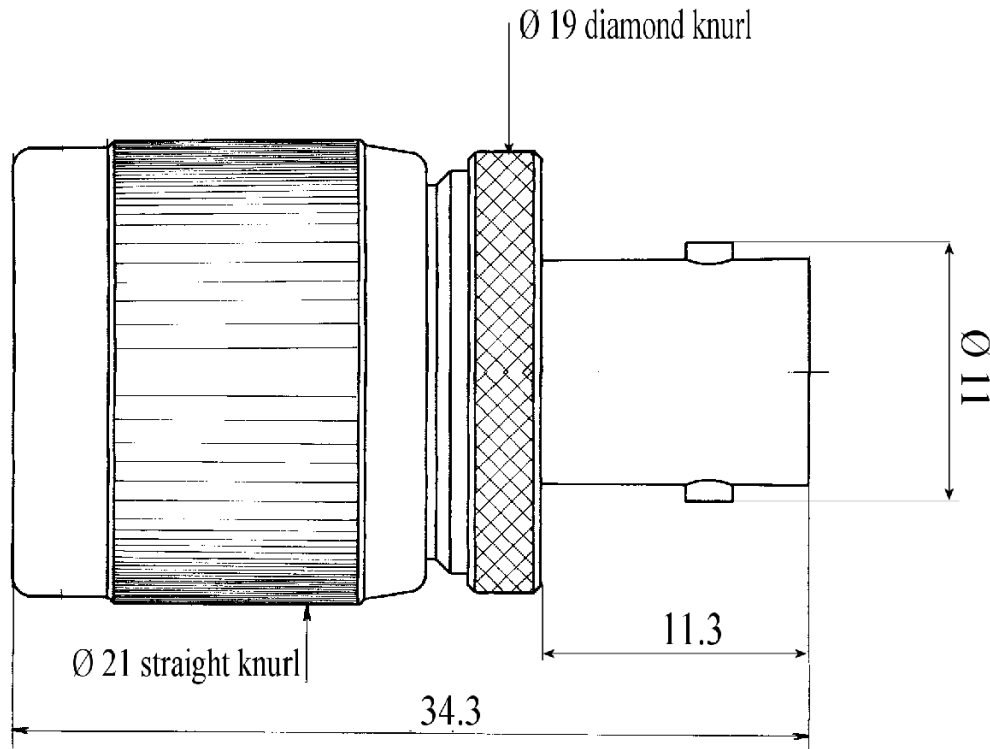


BNC FEMALE - N MALE ADAPTER

R192.421.000

Série : ADAPT 75



All dimensions are in mm.



COMPONENTS	MATERIALS	PLATINGS (µm)
BODY	BRASS	NICKEL 2
CENTER CONTACT	BRASS	GOLD 0.5 OVER NICKEL 2
OUTER CONTACT	-	-
INSULATOR	PTFE	-
GASKET	-	-
OTHERS PARTS	-	-
-	-	-
-	-	-

Issue : 0417 F

In the effort to improve our products, we reserve the rights to make changes judged to be necessary.



BNC FEMALE - N MALE ADAPTER

R192.421.000

Série : ADAPT 75

PACKAGING

SPECIFICATION

Standard	Unit	Other
1	-	Contact us

ELECTRICAL CHARACTERISTICS

ENVIRONMENTAL

Impedance		75 Ω
Frequency		0-1 GHz
VSWR	- +	0.000 x F(GHz) Maxi
Insertion loss		- √F(GHz) dB Maxi
RF leakage	- (- F(GHz) dB Maxi
Voltage rating		- Veff Maxi
Dielectric withstanding voltage		1500 Veff mini
Insulation resistance		5000 MΩ mini

Operating	-55/+155 °C
Hermetic seal	- Atm.cm3/s
Panel leakage	-

MECHANICAL CHARACTERISTICS

OTHERS CHARACTERISTICS

Center contact retention		
Axial force – Mating end		27 N mini
Axial force – Opposite end		27 N mini
Torque		- N.cm mini
Recommended torque		
Mating	N	0 N.cm
	BNC	0 N.cm
	-	0 N.cm
Panel nut		- N.cm
Mating life		500 Cycles mini
Weight		38.000 g

Issue : 0417 F

In the effort to improve our products, we reserve the rights to make changes judged to be necessary.



X-ON Electronics

Largest Supplier of Electrical and Electronic Components

Click to view similar products for [RF Adapters - Between Series category:](#)

Click to view products by [Radiall manufacturer:](#)

Other Similar products are found below :

[R191203007](#) [R191209000](#) [R191212000](#) [R191215000](#) [R191301000](#) [R191325000](#) [R191389200](#) [R191403000](#) [R191405000](#) [R191416000](#)
[R191419000](#) [R191421000](#) [R191424000](#) [R191445000](#) [R191511000](#) [R191552000](#) [R191720000](#) [R191722000](#) [R191733000](#) [R191759000](#)
[R191841001W](#) [R191911000](#) [R191912000](#) [R192417010](#) [R921390000](#) [ADBJ20-E1-BJ379](#) [ADM2](#) [ADPL75-A1-PL75](#) [ADPL75-E1-UBJ20](#)
[9317505](#) [931RPBUFLP](#) [AD130](#) [ADBJ20-E1-PL74](#) [ADBJ20-E2-BJ79](#) [ADBJ77-A1PL3155](#) [ADBJ77-E1-UPL20](#) [ADBJ77-E2-PL20](#) [242215](#)
[242228](#) [R125680000W](#) [R191117000](#) [R191123000](#) [R191.147.000](#) [R191303000](#) [R191313000](#) [R191315000](#) [R191316700](#) [R191327000](#)
[R191331000](#) [R191333000](#)