

RCA Keystone Coupler



RCA connectors, also known as “phono” or “cinch” connectors, have been used for many years to carry audio and video signals. TUK is now pleased to offer these in a range of colours and coloured identifiers in the convenient keystone format.

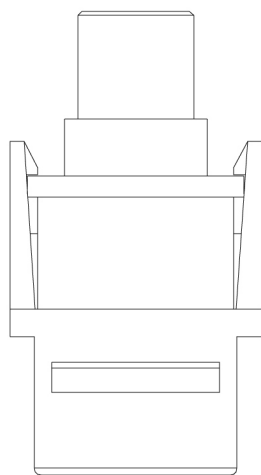
Features

- Available in white and black keystone mount to match panel or faceplate colour
- Coloured inserts (black, red, white and yellow)
- Standard format keystone fits a wide range of panels, adaptors and faceplates
- Available as part of our innovative panel mount and D UNIVERSAL ranges

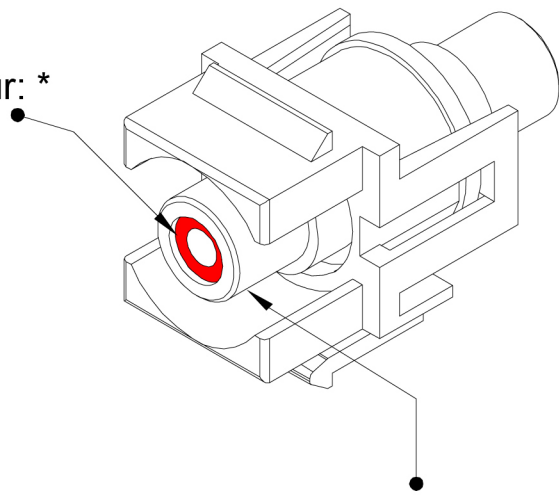
Specifications

- Materials:
 - Body: Nickel plated brass
 - Keystone mount: ABS UL94V-0
- Weight: 8g approx.
- Dimensions: 18.15 x 22.3 x 33.2 mm
- Codes: KRCAbkbk, KRCAbkwh, KRCArbk, KRCArdwh, KRCAwhbk, KRCAwhwh, KRCAywbk, KRCAywwh

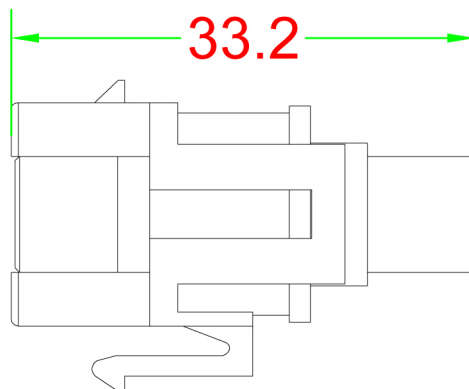
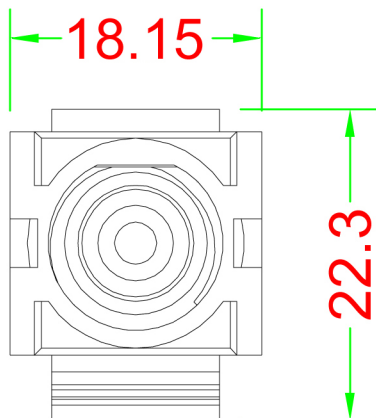
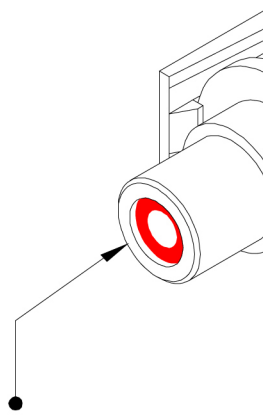
ROHS Compliant



Insert colour: *



Nickel plated brass



Unit: mm

* = Insert colour
bk: Black
rd: Red
yw: Yellow
wh: White

X-ON Electronics

Largest Supplier of Electrical and Electronic Components

Click to view similar products for [tuk](#) manufacturer:

Other Similar products are found below :

[SP1YW](#) [SP0.5BL](#) [FJKPT](#) [SKMCBKDPM](#) [PXCAT6S8XL2](#) [OT45BK](#) [SKFYW](#) [TSY](#) [PXSPDY6S#100](#) [PSPDY5#100](#) [PSDL-6#20](#) [WJOL](#)
[F78BKB](#) [FACK2BKDPM](#) [FJP2](#) [SKFBKDPM](#) [SPDL5BK](#) [SP10BK](#) [SKH1LJ](#) [PXSPDY5#10](#) [PSDL-5#100](#) [WJSG](#) [FJ445](#) [SP2GN](#) [SP10GN](#)
[SLJBKDPM](#) [SILS](#) [SP5GN](#) [SGPZ10BK](#) [MGOP6](#) [PXSPDY6#10](#) [TRCSPDY3](#) [SKH4](#) [SGKSSU-45WH](#) [SP10BL](#) [SGPZ3BK](#) [ADF](#) [CPR2](#)
[SEKEI-45WH](#) [SGKH2](#) [TRCSPDYBP](#) [SP10YW](#) [KPJ2BK](#) [KH2](#) [KOCSM](#) [SGACK2SPM](#) [KPH1BK](#) [PXSPDY6#100](#) [KOCSMDPM](#) [SP1BK](#)