

## RCA Keystone Coupler



RCA connectors, also known as “phono” or “cinch” connectors, have been used for many years to carry audio and video signals. TUK is now pleased to offer these in a range of colours and coloured identifiers in the convenient keystone format.

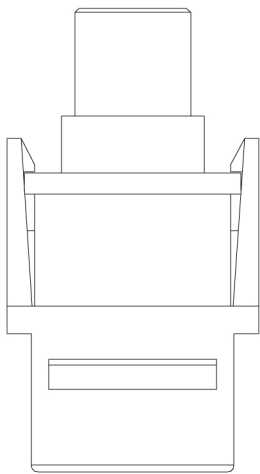
### ***Features***

- Available in white and black keystone mount to match panel or faceplate colour
- Coloured inserts (black, red, white and yellow)
- Standard format keystone fits a wide range of panels, adaptors and faceplates
- Available as part of our innovative panel mount and D UNIVERSAL range

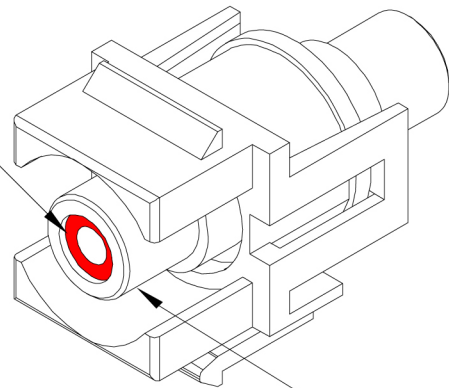
### ***Specifications***

- Available in white and black keystone mount to match panel or faceplate colour
- Materials:
  - Body: Nickel plated brass
  - Keystone mount: ABS UL94V-0
- Weight: 8g approx.
- Codes: KRCAbkbk, KRCAbkwh, KRCArbk, KRCArdwh, KRCAwhbk, KRCAwhwh, KRCAywbk, KRCAywwh

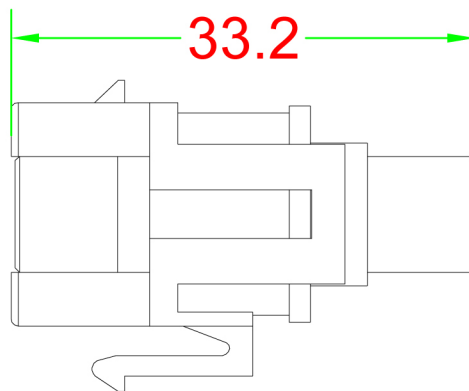
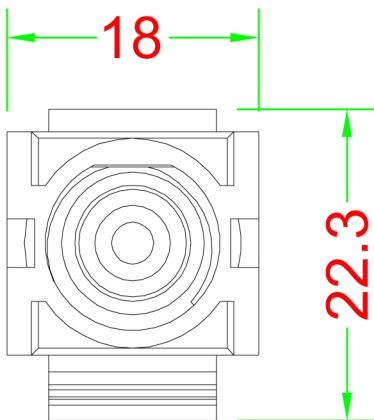
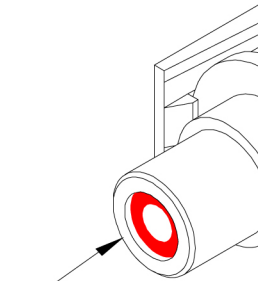
ROHS Compliant



Insert colour: \*



Nickel plated brass



\* = Insert colour  
bk: Black  
rd: Red  
yw: Yellow  
wh: White

## **X-ON Electronics**

Largest Supplier of Electrical and Electronic Components

*Click to view similar products for [tuk](#) manufacturer:*

Other Similar products are found below :

[SP1YW](#) [SP0.5BL](#) [FJKPT](#) [SKMCBKDPM](#) [PXCAT6S8XL2](#) [OT45BK](#) [SKFYW](#) [TSY](#) [PXSPDY6S#100](#) [PSPDY5#100](#) [PSDL-6#20](#) [WJOL](#)  
[F78BKB](#) [FACK2BKDPM](#) [FJP2](#) [SKFBKDPM](#) [SPDL5BK](#) [SP10BK](#) [SKH1LJ](#) [PXSPDY5#10](#) [PSDL-5#100](#) [WJSG](#) [FJ445](#) [SP2GN](#) [SP10GN](#)  
[SLJBKDPM](#) [SILS](#) [SP5GN](#) [SGPZ10BK](#) [MGOP6](#) [PXSPDY6#10](#) [TRCSPDY3](#) [SKH4](#) [SGKSSU-45WH](#) [SP10BL](#) [SGPZ3BK](#) [ADF](#) [CPR2](#)  
[SEKEI-45WH](#) [SGKH2](#) [TRCSPDYBP](#) [SP10YW](#) [KPJ2BK](#) [KH2](#) [KOCSM](#) [SGACK2SPM](#) [KPH1BK](#) [PXSPDY6#100](#) [KOCSMDPM](#) [SP1BK](#)