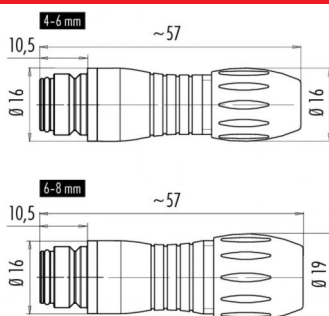


Product **Contacts: 12, female cable connector, cable outlet 6 - 8 mm, red**
 Area **Snap-in IP67 Series 720**
 Article number **99 9134 52 12**

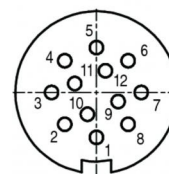
Illustration



Scale drawing



Contact Arrangement



| | X | Y |
|----|-------|-------|
| 1 | 0,00 | -3,70 |
| 2 | -2,62 | -2,62 |
| 3 | -3,70 | 0,00 |
| 4 | -2,62 | 2,62 |
| 5 | 0,00 | 3,70 |
| 6 | 2,62 | 2,62 |
| 7 | 3,70 | 0,00 |
| 8 | 2,62 | -2,62 |
| 9 | 1,79 | -0,74 |
| 10 | -0,74 | -1,79 |
| 11 | -1,79 | 0,74 |
| 12 | 0,74 | 1,79 |

You can find the item description on the next page.

Technical data

Common values

| | |
|--------------------------|----------------------|
| Connector Design | Cable socket |
| Connector locking system | snap |
| Termination | solder |
| Wire gauge (mm) | 0,25 mm ² |
| Wire gauge (AWG) | 24 |
| Cable outlet | 6 - 8 mm |
| Upper temperature | 85 °C |
| Lower temperature | -40 °C |

Electrical values

| | |
|-----------------------|--------------|
| Rated voltage | 60 |
| Rated impulse voltage | 800 V |
| Pollution degree | 2 |
| Overvoltage category | II |
| Material group | II |
| Rated current (40°C) | 2 A |
| Volume resistivity | ≤ 3 mΩ |
| EMV compliance | not shielded |
| Degree of protection | IP67 |

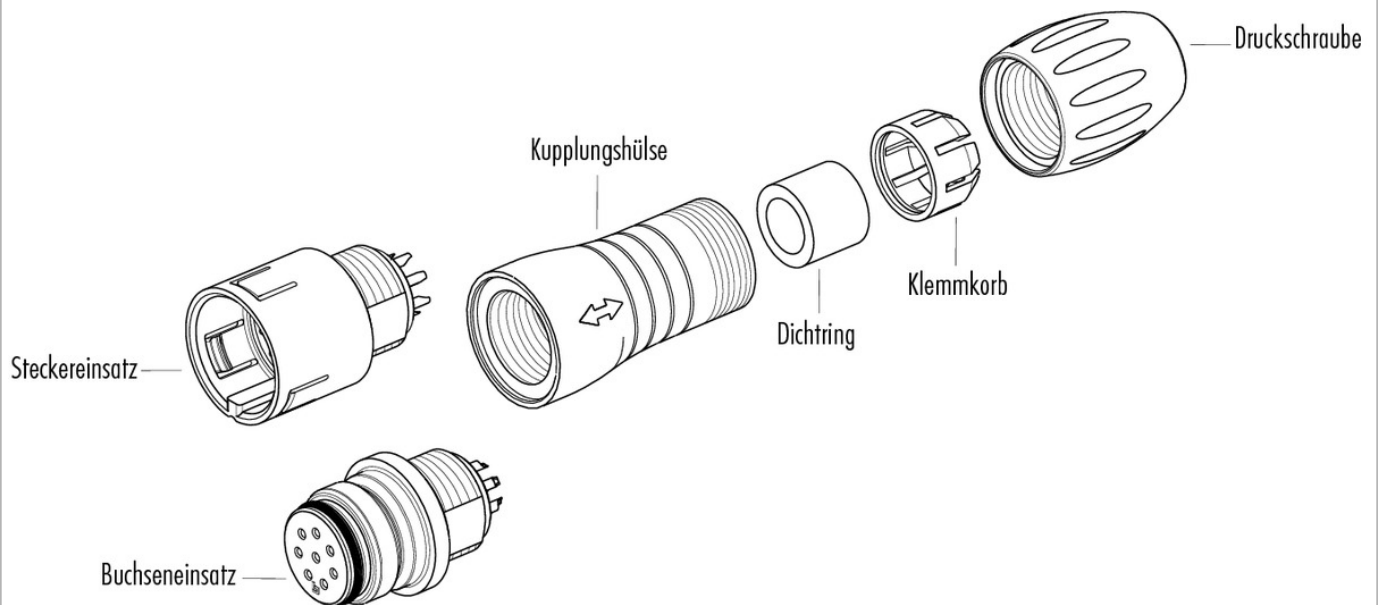
Material

| | |
|--------------------------|----------------|
| Material of contact | CuSn (Bronze) |
| Contact plating | Au (gold) |
| Material of contact body | PA (UL 94 V-0) |

Product **Contacts: 12, female cable connector, cable outlet 6 - 8 mm, red**

Area **Snap-in IP67 Series 720**
Article number **99 9134 52 12**

Item description



X-ON Electronics

Largest Supplier of Electrical and Electronic Components

Click to view similar products for [binder manufacturer](#):

Other Similar products are found below :

[16-8085-001](#) [16-8100-000](#) [16-8090-000](#) [16-8093-000](#) [09 0330 00 12](#) [09 0153 70 08](#) [09 0301 00 02](#) [09 0305 00 03](#) [09 0337 00 16](#) [09 0477 00 07](#) [09 9478 00 07](#) [66-0004-001](#) [99-9125-60-08](#) [99-9106-60-03](#) [99 0079 100 04](#) [79-3108-52-04](#) [79-3110-52-04](#) [66-0003-001](#) [99-3782-200-08](#) [61-0903-139](#) [09 5283 00 03](#) [09-0316-702-05](#) [66-0005-000](#) [02-0055-001](#) [09-5288-00-08](#) [09-0104-300-02](#) [09-0110-25-04](#) [09-0112-782-04](#) [09-0173-300-08](#) [09-0312-290-04](#) [09-9477-00-07](#) [99-4218-300-07](#) [09-3442-92-05](#) [99-0437-186-05](#) [99-0218-210-07](#) [43-1706-000-04](#) [08-2809-000-000](#) [99-9205-050-03](#) [99-0201-00-07](#) [09-0312-09-04](#) [99-0610-02-04](#) [09-0319-80-05](#) [99-9206-050-03](#) [09-0073-20-02](#) [09-0081-20-04](#) [09-0322-92-06](#) [99-2026-20-07](#) [43-1714-133-03](#) [99-0143-12-06](#) [99-0142-12-05](#)