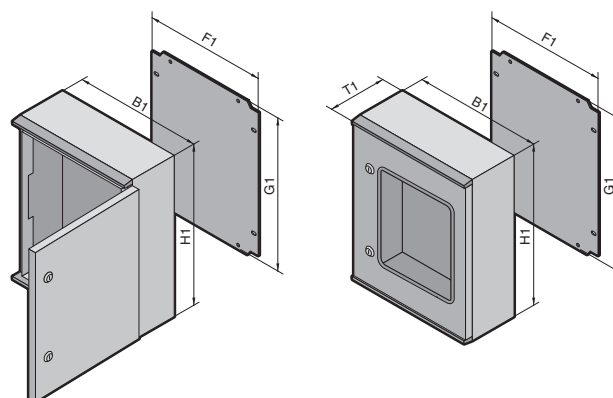


# Plastic enclosures KS

Width: 200 – 600, height: 300 – 600



Plastic enclosures KS 1.2

### Material:

Enclosure and door:  
Fibreglass-reinforced unsaturated polyester  
Mounting plate:  
Sheet steel  
For KS with viewing window:  
Impact resistant glazed acrylic, 3.0 mm with all-round rubber cable clamp strip

### Surface finish:

Enclosure and door:  
No after-treatment, dyed plastic, similar to RAL 7032  
Mounting plate: Zinc-plated

### Protection category:

KS without viewing window:  
IP 66 to EN 60 529/10.91, complies with NEMA 4x.  
KS with viewing window:  
IP 56 to EN 60 529/10.91, complies with NEMA 12.

### Supply includes:

Enclosure of solid all-round construction, r/h door hinge, door hinge may be swapped to opposite site by rotating the enclosure, mounting plate, all-round foamed-in PU seal in the door, twin seal on the top and bottom edges of the door (integral rain protection strip), press-fitted C sections at the sides for infinitely variable mounting plate depth adjustment.

### Note:

Under the influence of long-term UV radiation (sunlight) in conjunction with wind and rain, the surface finish may become visually impaired. In other words, the fibreglass portions become visible on unprotected surfaces. This does not impair the protection of the installed electrical components in any way. All other surface finishes are likewise impaired by ultraviolet radiation. If the enclosures cannot be protected from radiation, e.g. via a sun canopy, we recommend that they should be painted with a PUR paint. Older enclosures where the surface finish already reveals visible fibreglass portions can likewise be treated in this way after thorough cleaning.

Of course, all enclosures can also be supplied spray-finished in RAL colours. For outdoor siting, we recommend pale shades.

**Approvals,**  
see page 27.

**Detailed drawing,**  
see page 1087.

	Packs of	Without viewing window							With viewing window			
Width (B1) in mm		200	250	300	400	400	500	600	400	400	500	600
Height (H1) in mm		300	350	400	400	600	500	600	400	600	500	600
Depth (T1) in mm		150	150	200	200	200	300	200	200	200	300	200
Mounting plate width (F1) in mm		145	195	245	345	345	417	545	345	345	417	545
Mounting plate height (G1) in mm		250	300	350	350	550	450	550	350	550	450	550
Mounting plate thickness in mm		2.0	2.0	2.0	2.5	2.5	2.5	2.5	2.5	2.5	2.5	2.5
<b>Model No. KS</b>	<b>1</b>	<b>1423.600</b>	<b>1432.600</b>	<b>1434.600</b>	<b>1444.600</b>	<b>1446.600</b>	<b>1453.600</b>	<b>1466.600</b>	<b>1448.600</b>	<b>1449.600</b>	<b>1454.600</b>	<b>1467.600</b>
Door(s)		1	1	1	1	1	1	1	1	1	1	1
Weight (kg)		3.0	4.1	6.0	7.9	11.5	12.9	15.9	8.0	11.5	13.4	15.9

### Lock systems

Standard double-bit lock insert may be exchanged for lock inserts, type A, see page 888, and plastic handle, type E, KS 1484.000, see page 886.



**Cable gland, polyamide,**  
Model No. see page 972.



**Double-membrane gland and stepped collar** for cable entry,  
Model No. see page 973.

## **X-ON Electronics**

Largest Supplier of Electrical and Electronic Components

*Click to view similar products for [Rittal manufacturer](#):*

Other Similar products are found below :

[EB1546](#) [KL1501](#) [KL1590](#) [3652070](#) [1002.600](#) [1004.600](#) [1033.500](#) [1036.500](#) [1037.500](#) [1076.500](#) [1077.500](#) [1302.600](#) [1338.500](#) [1380.500](#)  
[1505.510](#) [1506.510](#) [1508.510](#) [1510.510](#) [1514.510](#) [1517.510](#) [1518.510](#) [1577.450](#) [1578.450](#) [1578.530](#) [1579.450](#) [9514.000](#) [9521.050](#)  
[1434.500](#) [1444.500](#) [1446.500](#) [1519.510](#) [1522.010](#) [1523.010](#) [1524.010](#) [1525.010](#) [1526.010](#) [1527.010](#) [1527.510](#) [1529.010](#) [1530.010](#)  
[1530.510](#) [1533.510](#) [1534.510](#) [1535.510](#) [1536.510](#) [1537.510](#) [1538.510](#) [1539.510](#) [1540.510](#) [1541.510](#)